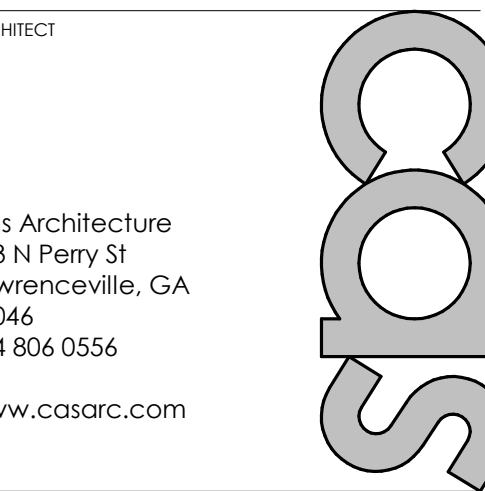


SHEET SPECIFIC NOTES

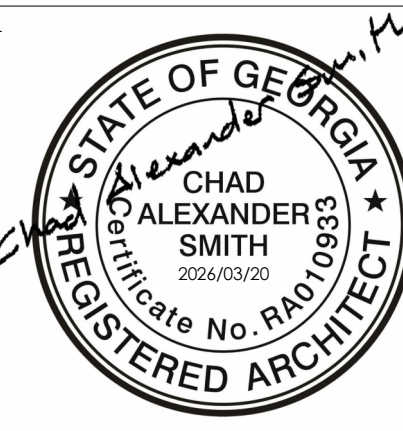
USE THIS DRAWING FOR COORDINATION OF CEILING ITEMS. USE THIS DRAWING FOR GRID LAYOUT, LIGHT FIXTURE LOCATIONS, MECHANICAL CEILING ITEM LOCATIONS, AND ALL OTHER CEILING ITEMS. NOTIFY ARCHITECT OF ANY DISCREPANCIES.

- REFER TO ELECTRICAL DRAWINGS FOR LIGHTING FIXTURE LAYOUT AND SPECIFICATIONS.
- REFER TO MECHANICAL DRAWINGS FOR SUPPLY AND RETURN LAYOUT AND OTHER FIXTURES.
- CENTER CEILING GRIDS IN BOTH DIRECTIONS IN ALL CORRIDORS AND IN EACH ROOM WITH LAY-IN CEILINGS, UNLESS INDICATED OTHERWISE.
- CENTER INTERIOR DOWN LIGHTS IN CEILING TILES, IN ROOMS WITHOUT CEILING TILES, CENTER DOWN LIGHTS IN BOTH DIRECTIONS TO RELATIVE WALLS, UNLESS INDICATED OTHERWISE.
- CENTER LAY-IN LIGHT FIXTURES IN BOTH DIRECTIONS IN EACH SPACE, UNLESS INDICATED OTHERWISE.
- PROVIDE ADEQUATE ACCESS TO EQUIPMENT, FITTINGS, VALVES, ETC. THAT ARE NOT EXPOSED ABOVE CEILINGS AND BEHIND WALL FINISHES. OPENINGS SHALL BE PROTECTED AS APPROPRIATE FOR THE FIRE RESISTANCE RATINGS OF THE BARRIER PER NFPA 101 LIFE SAFETY CODE.
- ALL NOTED CEILING HEIGHTS ARE MEASURED FROM TOP OF SLAB.
- PROVIDE SEISMIC RESTRAINTS FOR SUSPENDED CEILING SYSTEMS IN APPLICABLE SEISMIC CATEGORY DESIGN SHALL COMPLY WITH REQUIREMENTS OF IBC SECTION 1613.
- THE SPECIFIED MINIMUM TENSION TEST LOAD FOR SPLICES OF RUNNERS IN SUSPENDED CEILINGS SHALL BE 180 POUNDS PER CISCA 3-4 OR CURRENT CODE.
- PRIOR TO FINAL COMPLETION, RESET ALL CEILING TILES AND REPLACE DAMAGED TILES.
- COORDINATE LIGHTS WITH DUCTWORK.
- NOTIFY ARCHITECT IMMEDIATELY OF ANY CLEARANCE CONFLICTS WITH LIGHT FIXTURES (DUCTWORK, SPRINKLER LINES, ETC.) ABOVE CEILING.
- PROVIDE EMERGENCY LIGHTING, STROBES, ALARMS, FIRE PULLS AND SMOKE DETECTORS AS REQUIRED BY CODE.
- PROVIDE EXIT SIGNS AS REQUIRED BY CODE AND SHOWN ON THE DRAWINGS.
- ALIGN ALL SHADES **WS-1** ENDS WITH CENTERLINE OF WINDOW MULLIONS.



Cas Architecture
183 N Perry St
Lawrenceville, GA
30046
404 806 0556
www.casarc.com

CONSULTANT



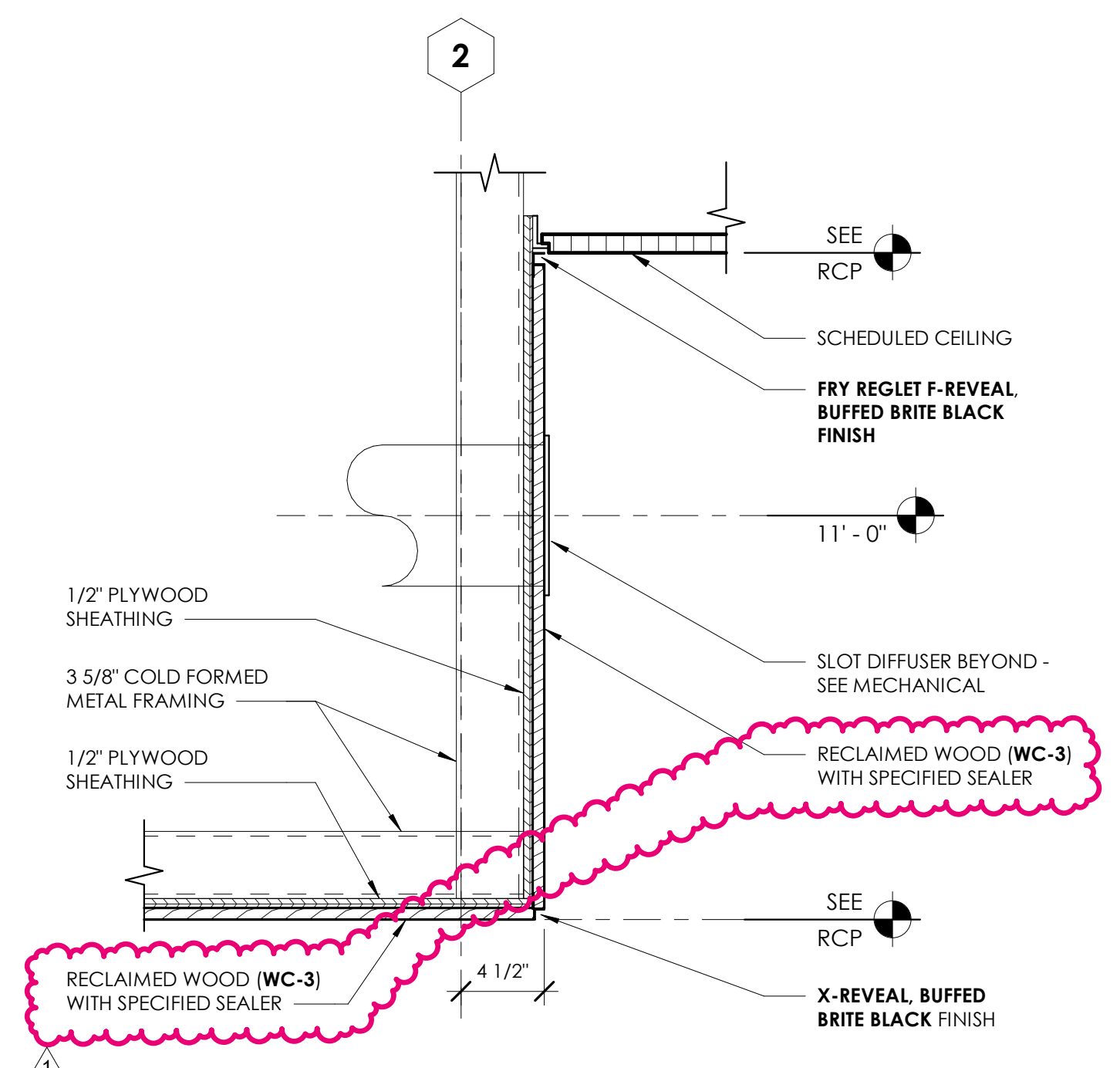
IF SEALED, DO NOT COPY

PROJECT

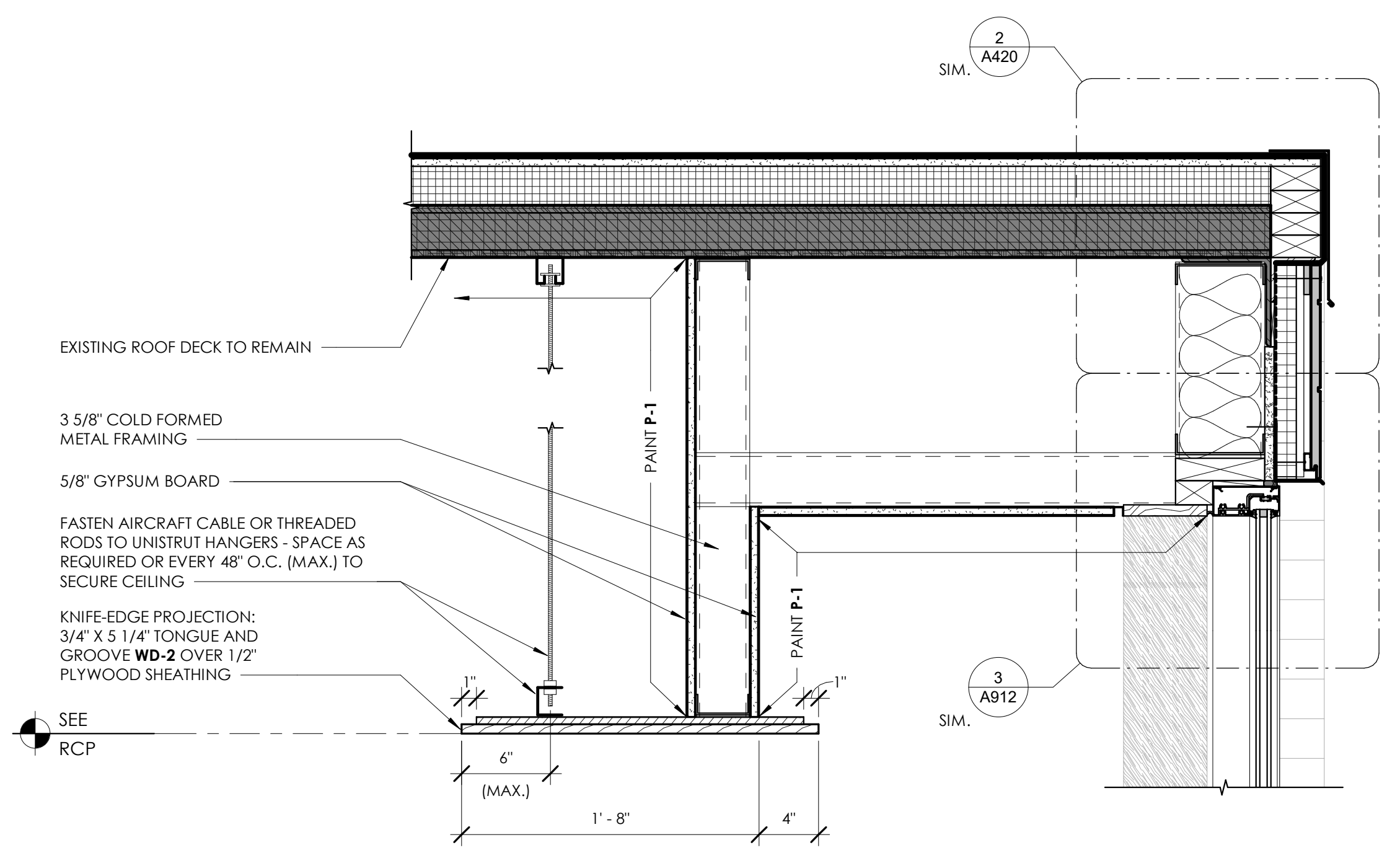
COLLINS P. LEE MEMORIAL LIBRARY
237 HARRISBURG ROAD SW, MILLEDGEVILLE, GA 31061

CONTROL JOINTS

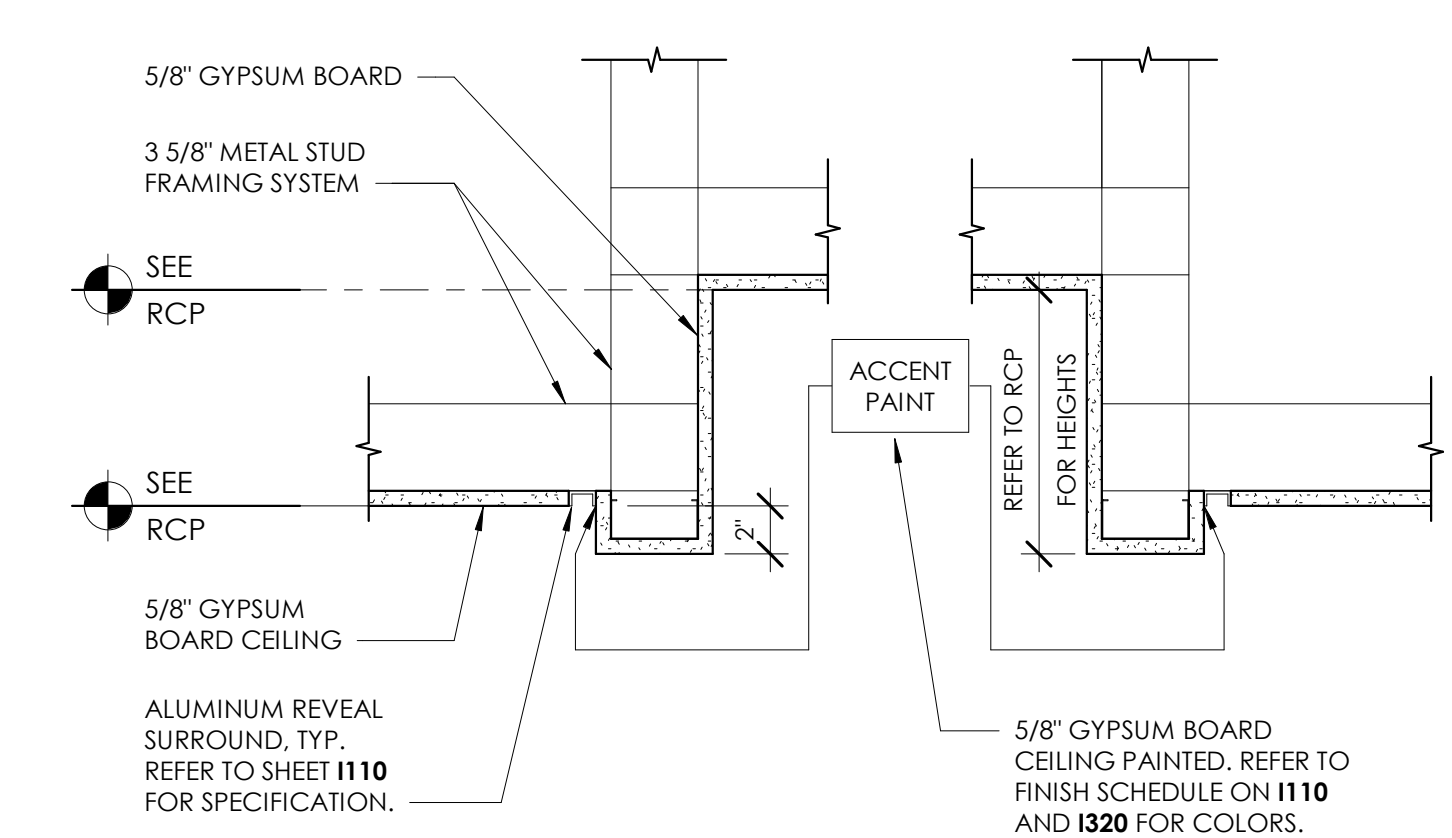
REFER TO SHEET **I110** FOR CONTROL JOINT SPECIFICATIONS.



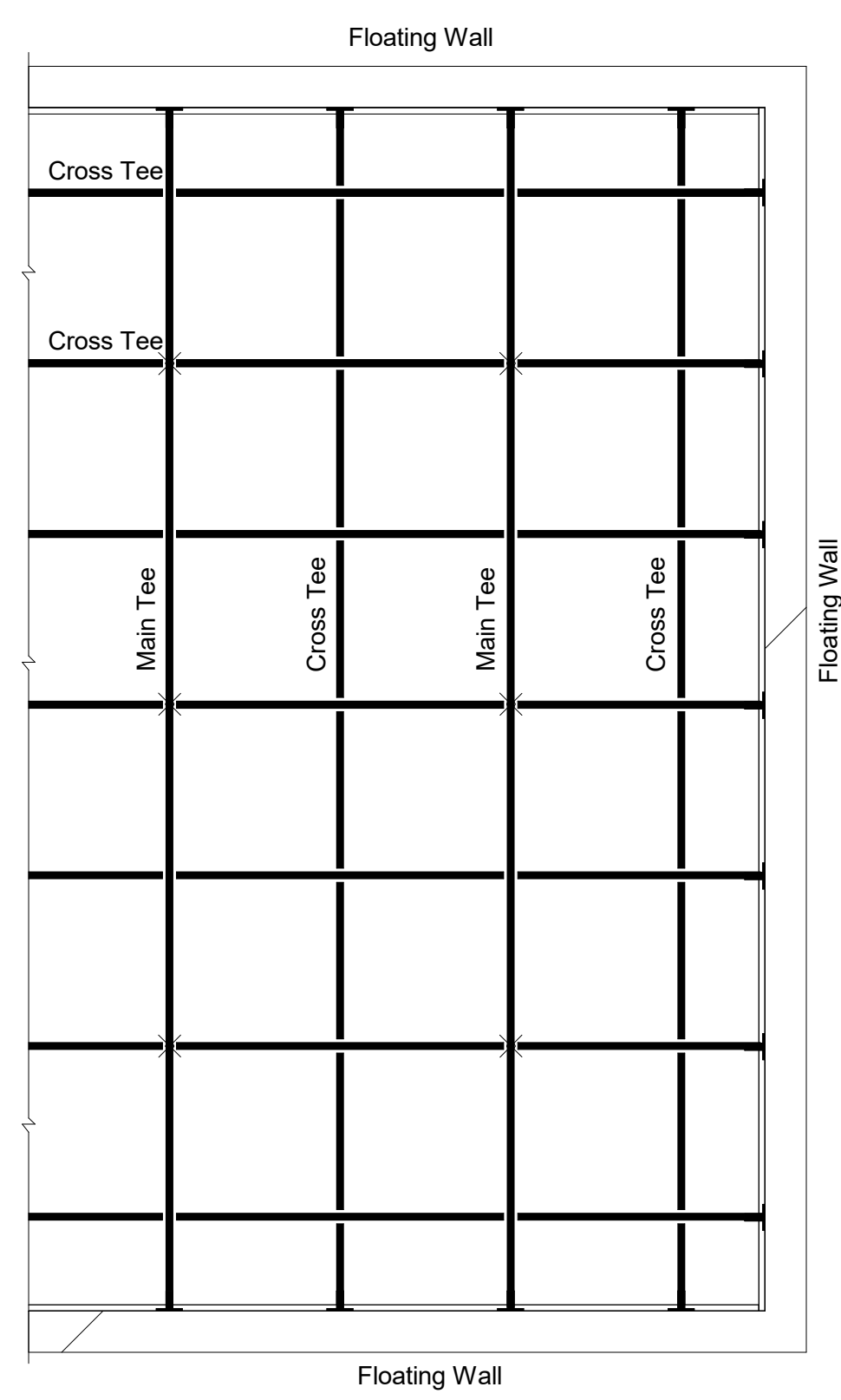
1 BULKHEAD DETAIL/WD-3 CEILING TRANSITION
1 1/2" = 1'-0"



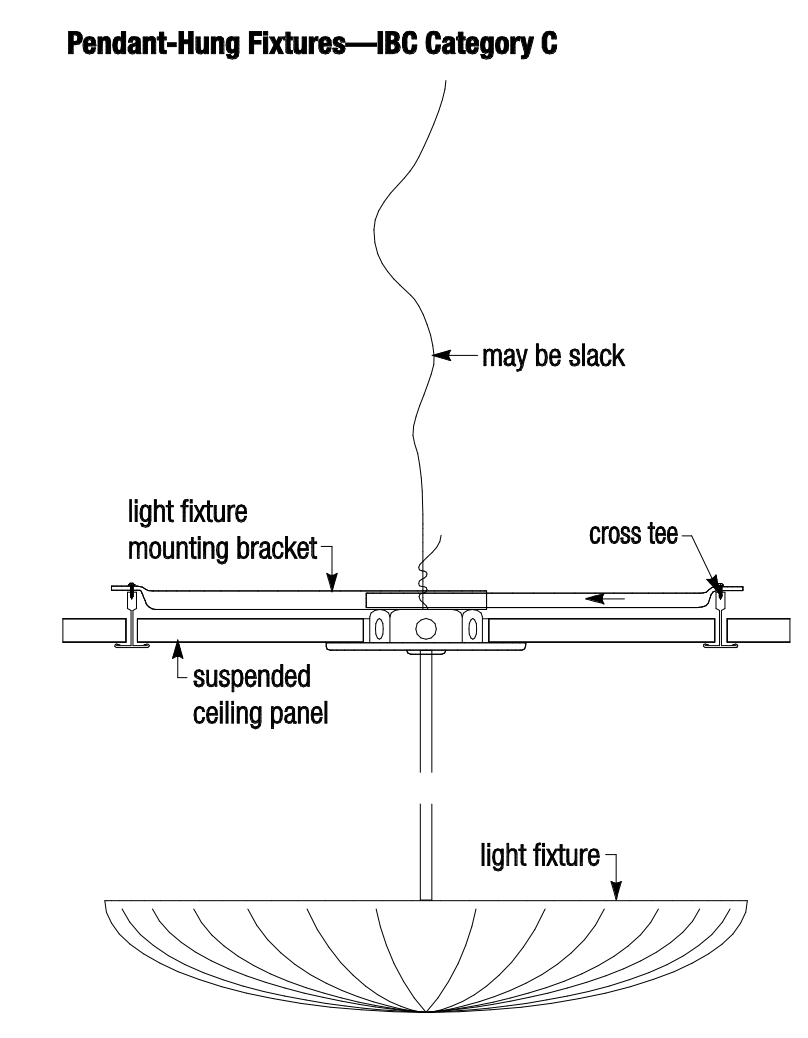
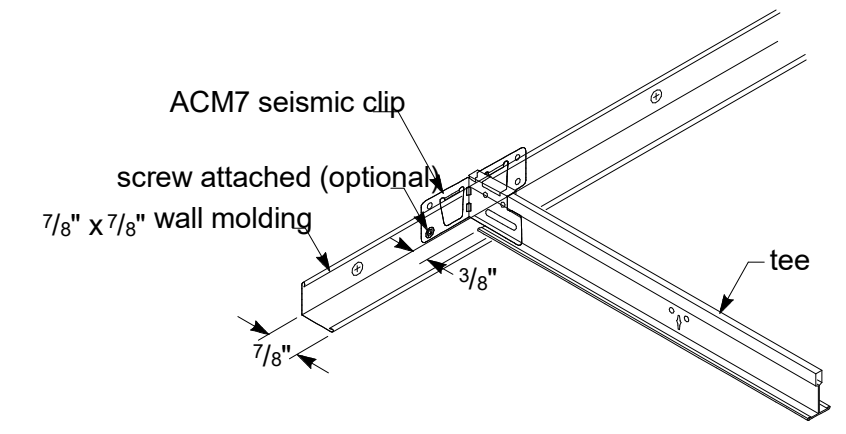
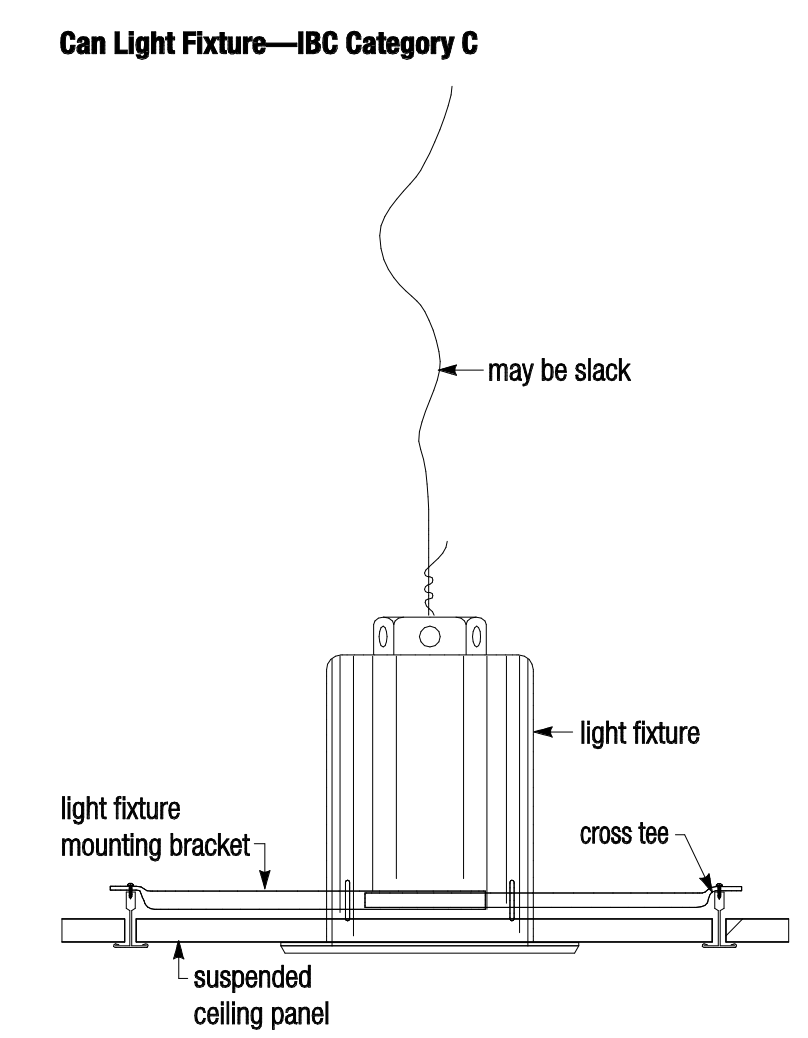
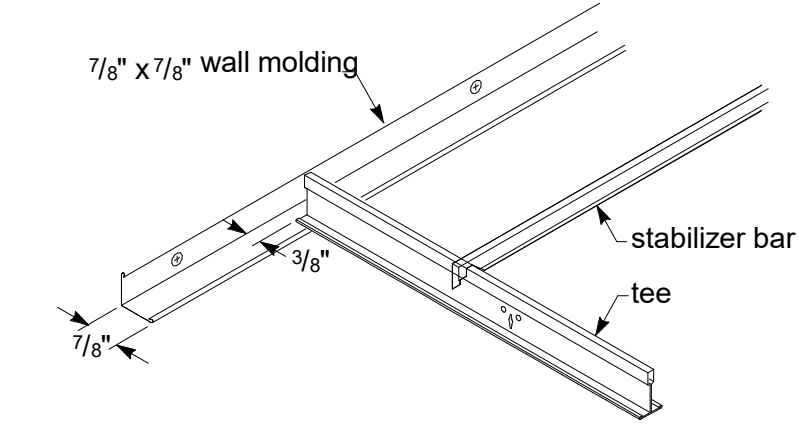
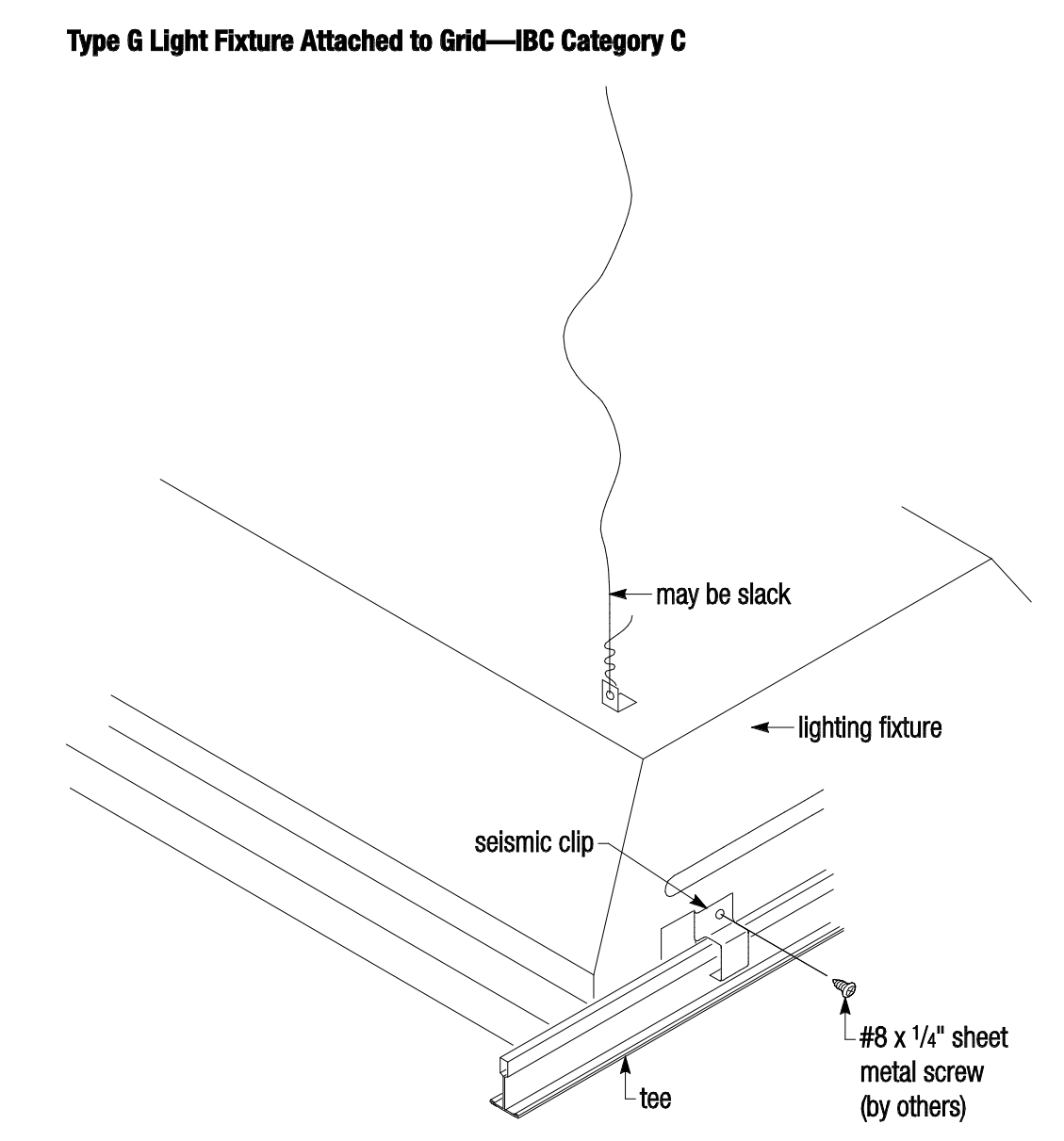
2 WOOD CEILING KNIFE EDGE
1 1/2" = 1'-0"



3 GYPSUM BOARD CEILING POP-UP SECTION DETAIL
1 1/2" = 1'-0"



4 CATEGORY C SEISMIC DETAILS - FOR ALL DROP CEILING LOCATIONS
1 1/2" = 1'-0"



COPYRIGHT © 2024 CAS ARCHITECTURE P.C. ALL RIGHTS RESERVED. THIS DOCUMENT AND ANY REPRODUCTIONS IN WHOLE OR IN PART, ARE INSTRUMENTS OF SERVICE AND ARE THE SOLE PROPERTY AND COPYRIGHT OF CAS ARCHITECTURE P.C. AND MAY NOT BE REPRODUCED, PUBLISHED, USED OR COPIED IN ANY MANNER WITHOUT WRITTEN PERMISSION FROM CAS ARCHITECTURE P.C. THESE DOCUMENTS HAVE BEEN PREPARED SPECIFICALLY FOR THIS PROJECT. THEY ARE NOT SUITABLE FOR USE ON OTHER PROJECTS OR IN OTHER LOCATIONS.

THIS DOCUMENT WAS CREATED ELECTRONICALLY. THIS MEDIA SHOULD NOT BE CONSIDERED A CERTIFIED DOCUMENT UNLESS IT HAS BEEN PROPERLY SEALED AND ORIGINALLY SIGNED BY A REGISTERED ARCHITECT OF CAS ARCHITECTURE P.C.

THESE PLANS ARE COMPLEMENTARY. THEREFORE THE CONTRACTOR SHALL SEE THE ARCHITECTURAL, STRUCTURAL, MECHANICAL, PLUMBING, AND ELECTRICAL PLANS AND SPECIFICATIONS, WHEN SPECIFIED BY ANY ONE SHALL BE BINDING AS REQUIRED BY ALL THE ATTENTION OF THE DOCUMENTS. THE CONTRACTOR SHALL BE RESPONSIBLE FOR THE PROPER SELECTION AND COMPLETION OF THE WORK. THE CONTRACTOR SHALL BE RESPONSIBLE FOR THE COORDINATION OF THE WORK OF ALL TRADES.

NO.	DATE	ISSUANCE / REVISIONS
1	2024/04/14	ISSUANCE FOR PERMIT AND BID
1	2024/04/14	ADDENDUM 1

SHEET TITLE

CEILING DETAILS

SHEET NUMBER

A340

PROJECT: 25114
DATE: 2024/03/20
DRAWN: CAS
FILE: 25114_LEE MEMORIAL LIBRARY RV124