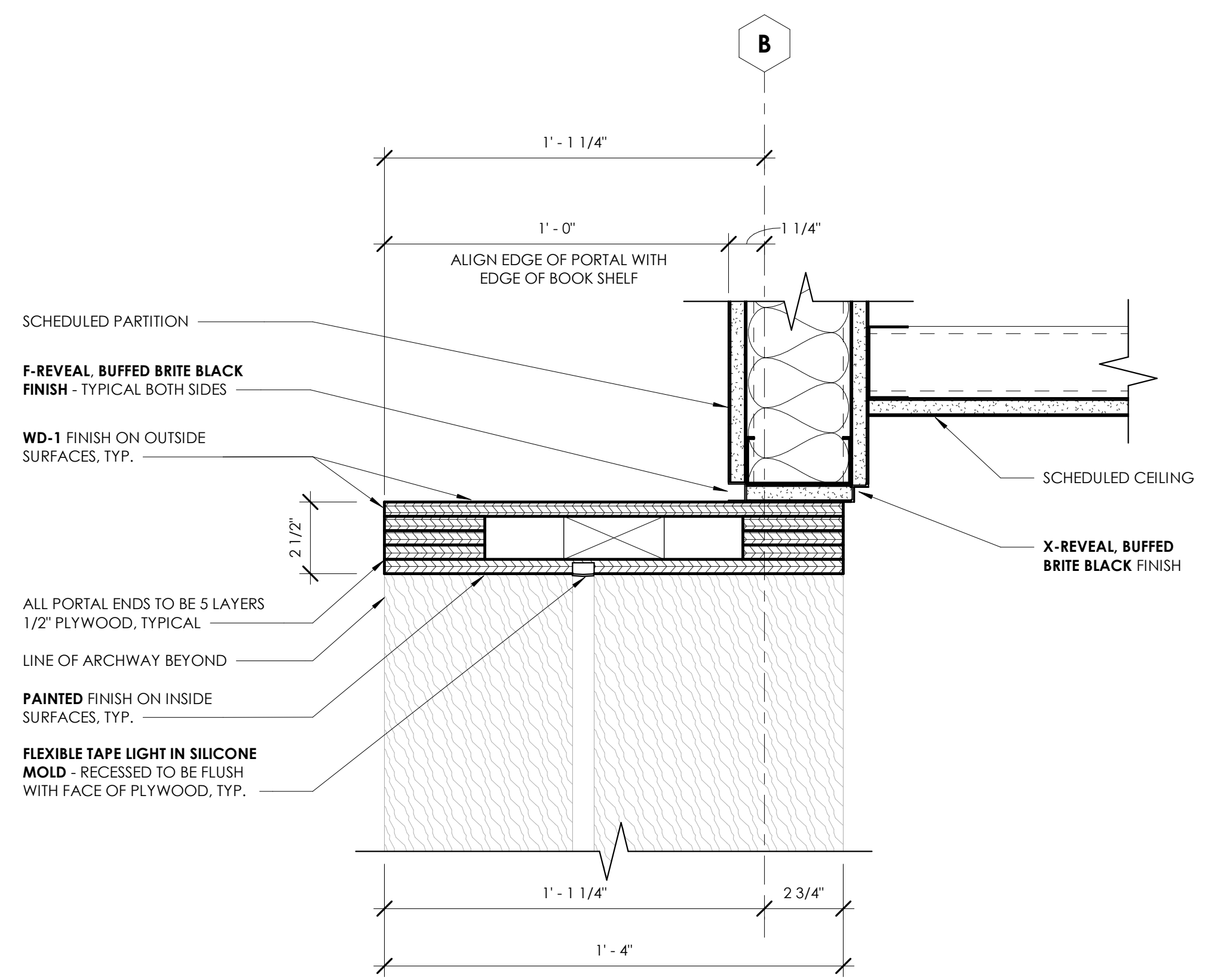
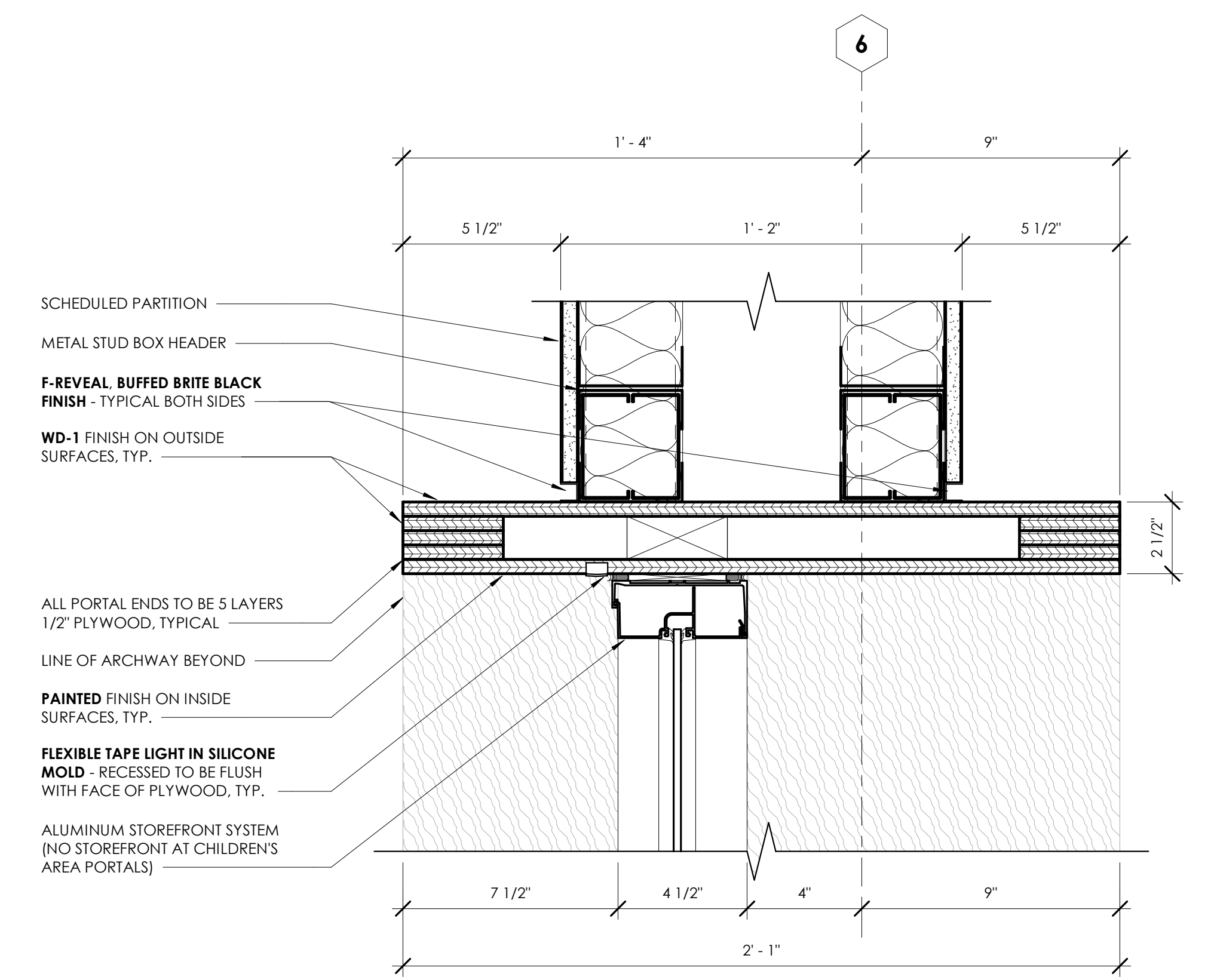


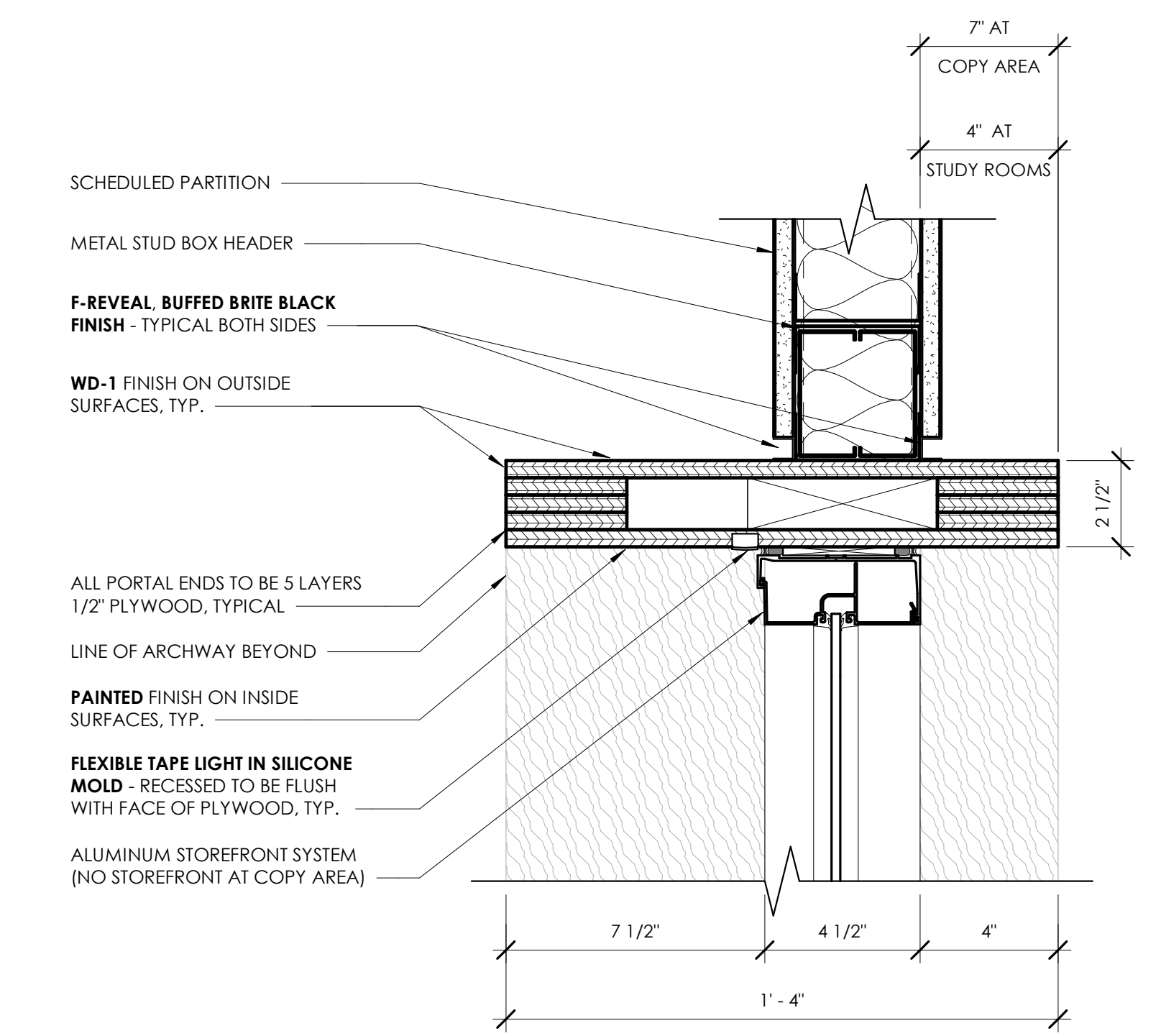
COLLINS P. LEE MEMORIAL LIBRARY
 237 HARRISBURG ROAD SW, MILLEDGEVILLE, GA 31061



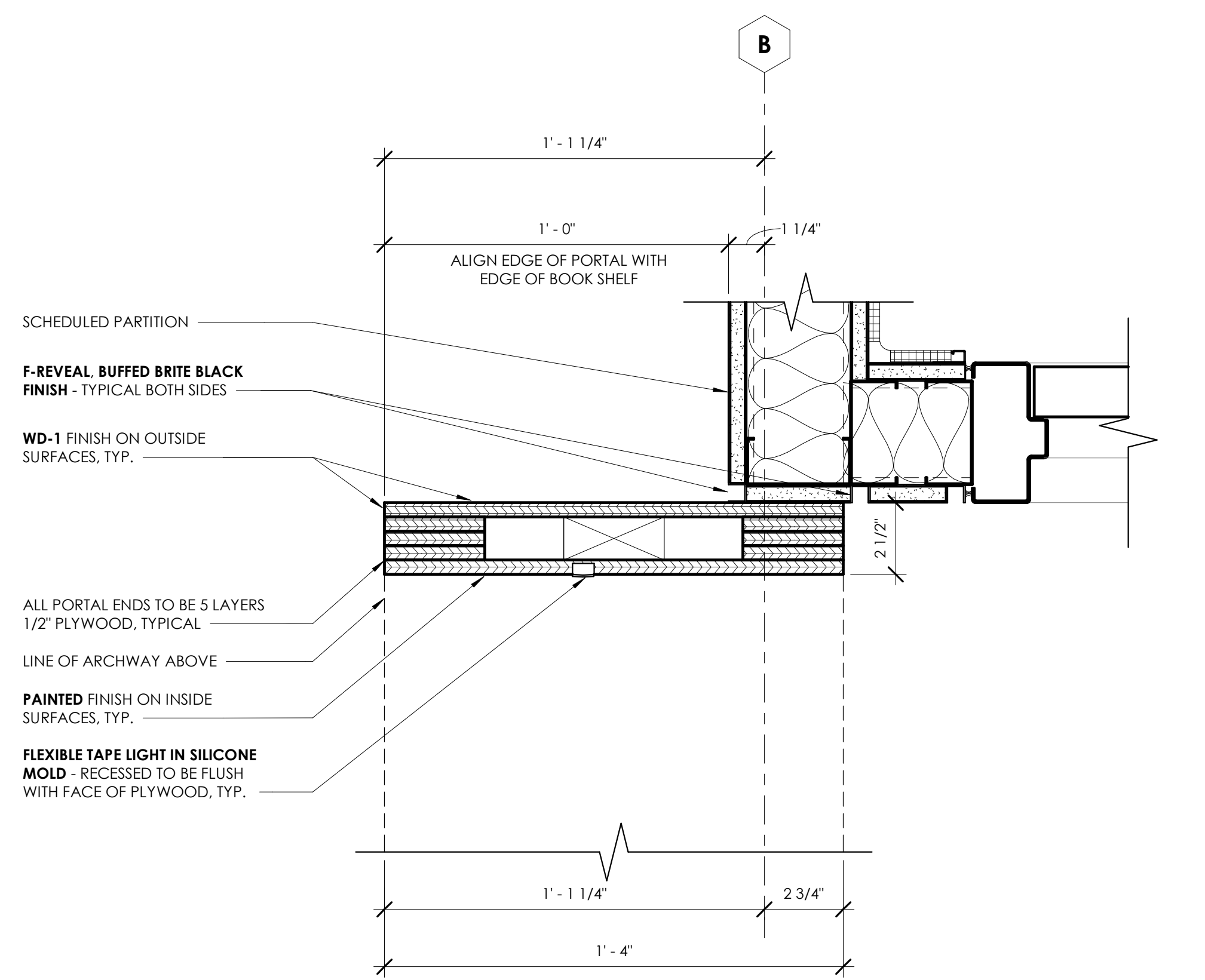
1 PORTAL HEAD DETAIL AT CORRIDOR 111
 A651 3" = 1'-0"



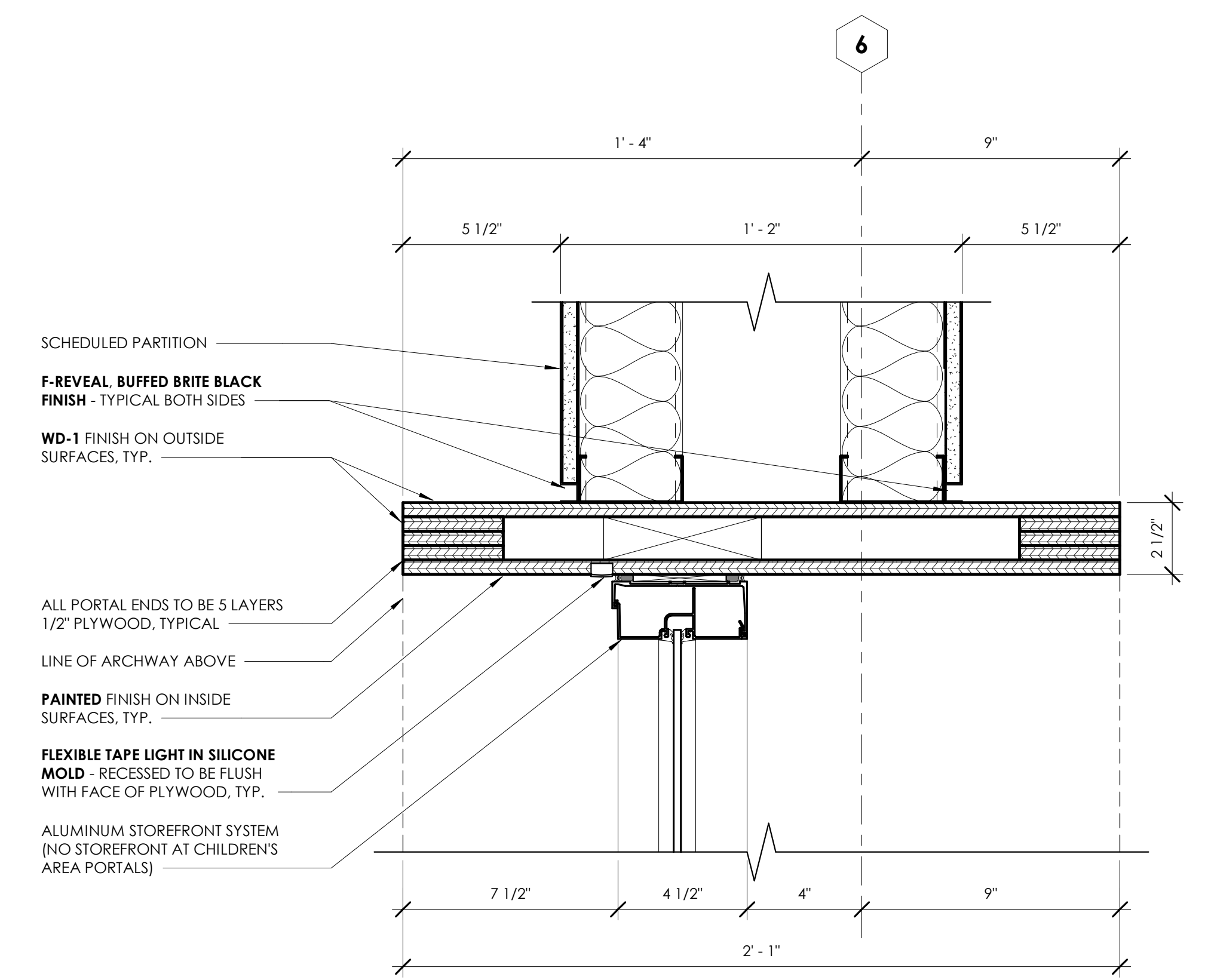
2 PORTAL HEAD DETAIL AT ADULT / READING AREA
 A651 3" = 1'-0"



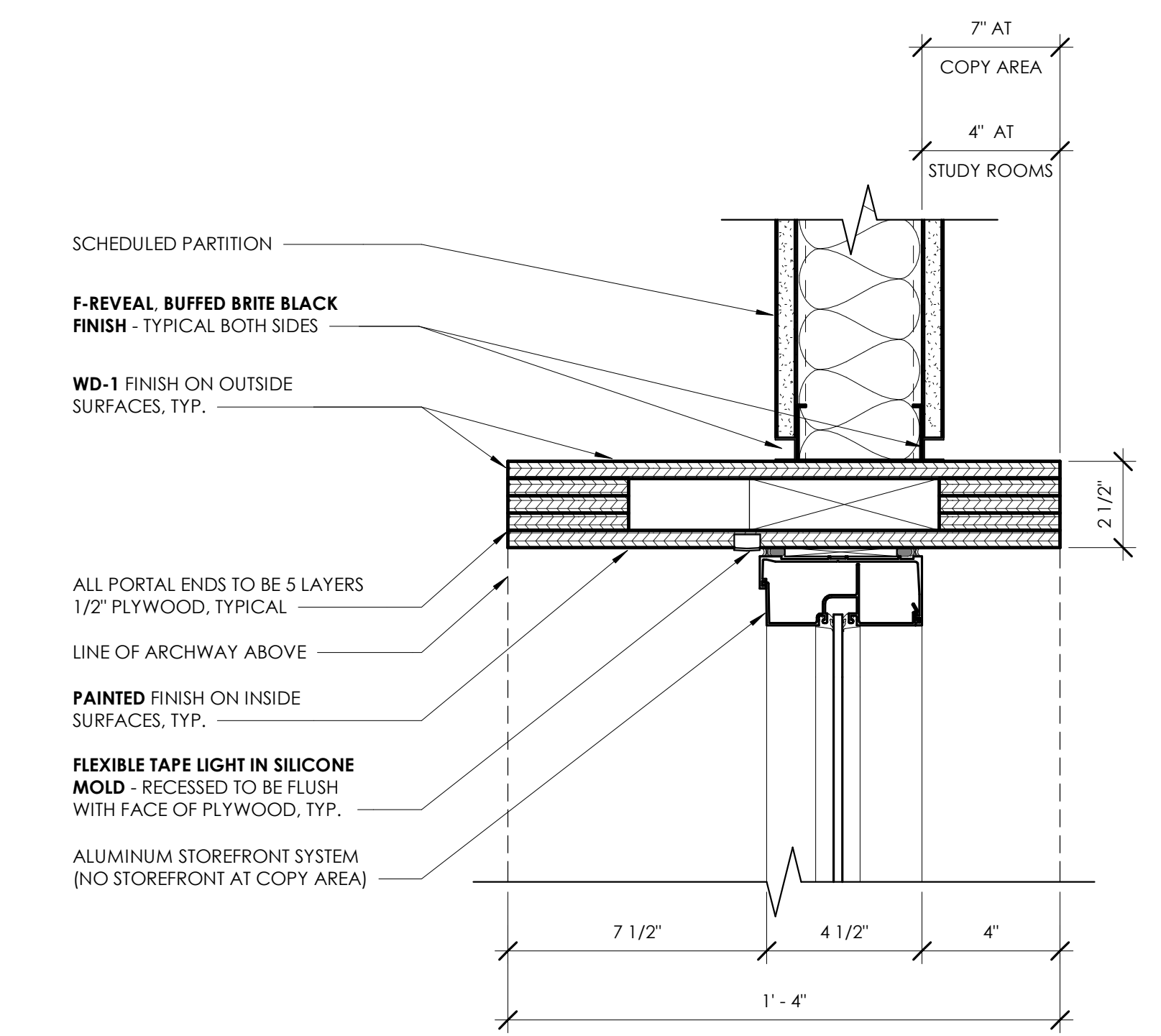
3 PORTAL HEAD DETAIL AT STUDY ROOMS / COPY AREA
 A651 3" = 1'-0"



4 PORTAL JAMB DETAIL AT CORRIDOR 111
 A651 3" = 1'-0"



5 PORTAL JAMB DETAIL AT ADULT / READING AREA
 A651 3" = 1'-0"



6 PORTAL JAMB DETAIL AT STUDY ROOMS / COPY AREA
 A651 3" = 1'-0"

COPYRIGHT © 2024 CAS ARCHITECTURE, P.C. ALL RIGHTS RESERVED. THE DOCUMENT AND ANY REPRODUCTIONS IN WHOLE OR IN PART, ARE INSTRUMENTS OF SERVICE AND ARE THE SOLE PROPERTY AND COPYRIGHT OF CAS ARCHITECTURE, P.C. AND MAY NOT BE REPRODUCED, PUBLISHED, USED OR COPIED IN ANY MANNER WITHOUT WRITTEN PERMISSION FROM CAS ARCHITECTURE, P.C. THESE DOCUMENTS HAVE BEEN PREPARED SPECIFICALLY FOR THIS PROJECT. THEY ARE NOT SUITABLE FOR USE ON OTHER PROJECTS OR IN OTHER LOCATIONS.

THIS DOCUMENT WAS CREATED ELECTRONICALLY. THIS MEDIA SHOULD NOT BE CONSIDERED A CERTIFIED DOCUMENT UNLESS IT HAS BEEN PROPERLY SEALED AND ORIGINALLY SIGNED BY A REGISTERED ARCHITECT OF GA ARCHITECTURE, P.C.

THESE PLANS ARE COMPLEMENTARY. THEREFORE THE CONTRACTOR SHALL SEE THE ARCHITECTURAL, STRUCTURAL, MECHANICAL, PLUMBING, AND ELECTRICAL PLANS AND SPECIFICATIONS, WHEN REQUIRED BY ANY ONE SHALL BE BINDING AS REQUIRED BY ALL THE ATTENTION OF THE CONTRACTOR SHALL BE TO ALL LABOR, MATERIALS, EQUIPMENT AND OTHER DEVICES NECESSARY FOR THE PROPER EXECUTION AND COMPLETION OF THE WORK. THE CONTRACTOR SHALL BE RESPONSIBLE FOR THE COORDINATION OF THE WORK OF ALL TRADES.

NO.	DATE	ISSUANCE / REVISIONS

SHEET TITLE
 ENLARGED PORTAL DETAILS

SHEET NUMBER

A651

PROJECT: 25114 DATE: 2026/03/20 DRAWN: CAS
 FILE: 25114_LEE MEMORIAL LIBRARY RV124