

IF SEALED, DO NOT COPY

PROJECT

**COLLINS P. LEE MEMORIAL LIBRARY**  
 237 HARRISBURG ROAD SW, MILLEDGEVILLE, GA 31061

COPYRIGHT © 2024 CAS ARCHITECTURE P.C. ALL RIGHTS RESERVED. THE DOCUMENT AND ANY REPRODUCTIONS IN WHOLE OR IN PART, ARE INSTRUMENTS OF SERVICE AND ARE THE SOLE PROPERTY AND COPYRIGHT OF CAS ARCHITECTURE P.C. AND MAY NOT BE REPRODUCED, PUBLISHED, USED OR COPIED IN ANY MANNER WITHOUT WRITTEN PERMISSION FROM CAS ARCHITECTURE P.C. THESE DOCUMENTS HAVE BEEN PREPARED SPECIFICALLY FOR THIS PROJECT. THEY ARE NOT SUITABLE FOR USE ON OTHER PROJECTS OR IN OTHER LOCATIONS.

THIS DOCUMENT WAS CREATED ELECTRONICALLY. THIS MEDIA SHOULD NOT BE CONSIDERED A CERTIFIED DOCUMENT UNLESS IT HAS BEEN PROPERLY SEALED AND ORIGINALLY SIGNED BY A REGISTERED ARCHITECT OF GA ARCHITECTURE P.C.

THESE PLANS ARE COMPLEMENTARY. THEREFORE THE CONTRACTOR SHALL SEE THE ARCHITECTURAL, STRUCTURAL, MECHANICAL, PLUMBING, AND ELECTRICAL PLANS AND SPECIFICATIONS, WHICH ARE REFERRED TO BY THIS DRAWING AS REQUIRED BY ALL THE REQUIREMENTS OF THE DOCUMENTS TO BE USED. ALL LABOR, MATERIALS, EQUIPMENT AND OTHER ITEMS NECESSARY FOR THE PROPER EXECUTION AND COMPLETION OF THE WORK, THE CONTRACTOR SHALL BE RESPONSIBLE FOR THE COORDINATION OF THE WORK OF ALL TRADES.

NO.	DATE	ISSUANCE / REVISIONS

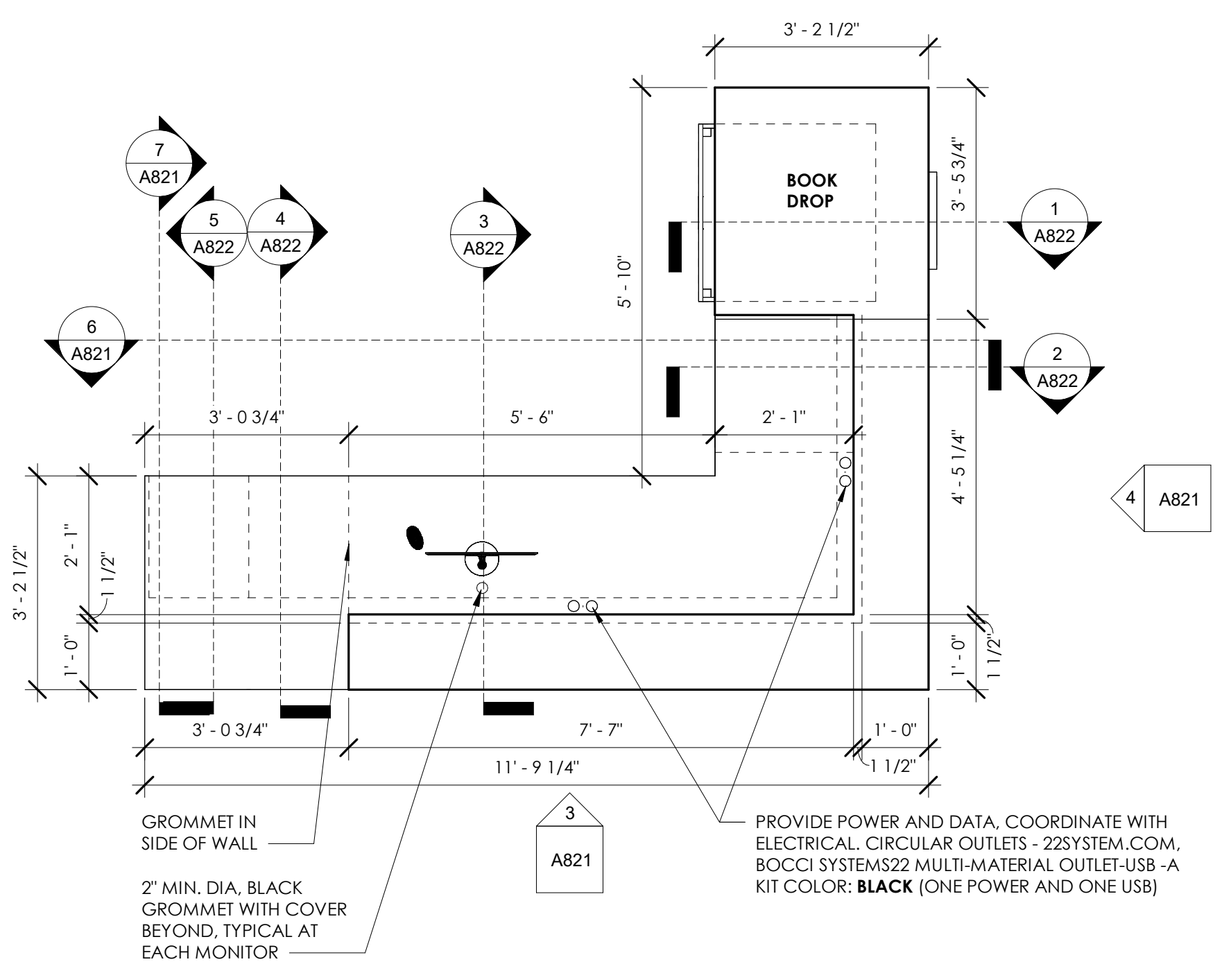
SHEET TITLE  
 MILLWORK SECTIONS AND DETAILS

SHEET NUMBER

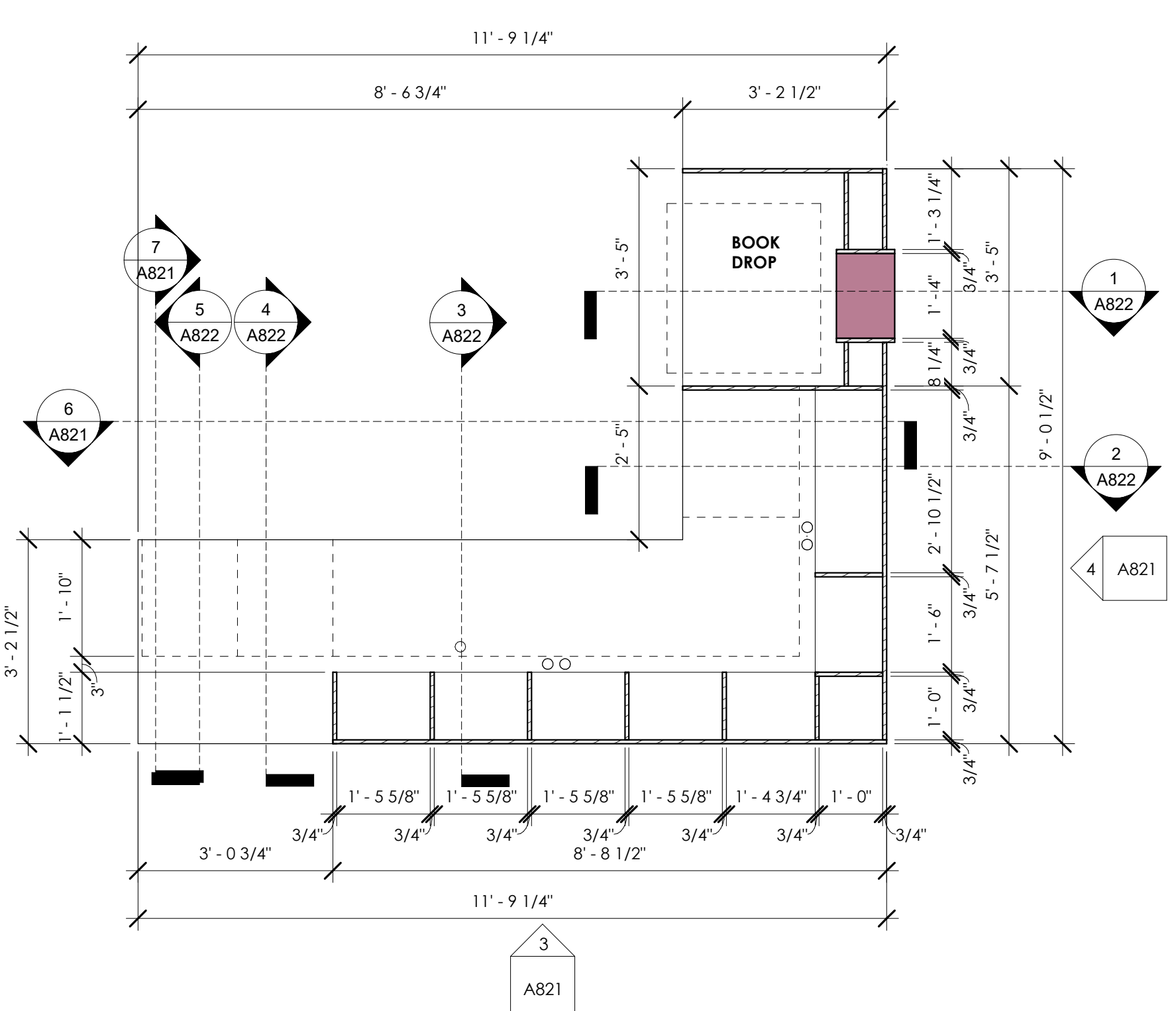
**A821**

PROJECT DATE DRAWN  
 25114 2026/03/20 CAS

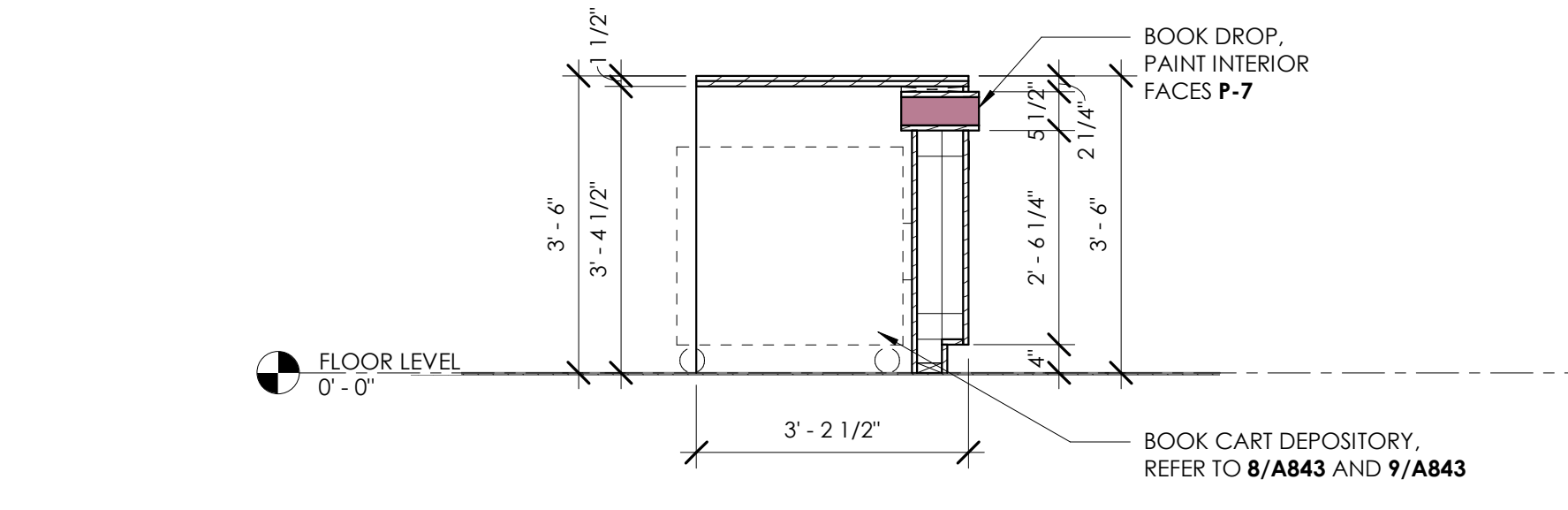
25114.LEE MEMORIAL LIBRARY RV124



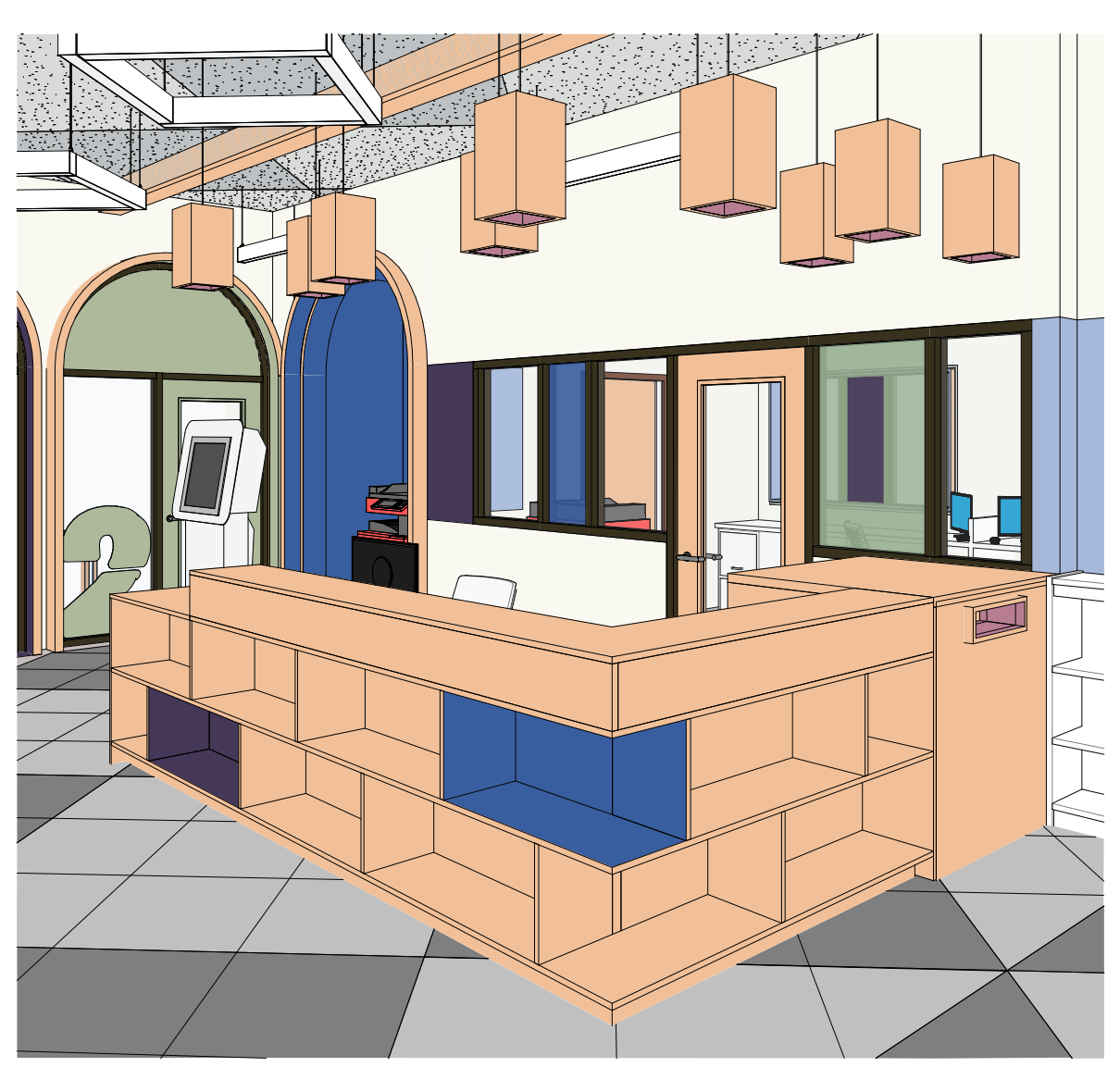
**1 HELP DESK ENLARGED PLAN**  
 1/2" = 1'-0"



**2 HELP DESK ENLARGED PLAN - THROUGH CUBBIES**  
 1/2" = 1'-0"



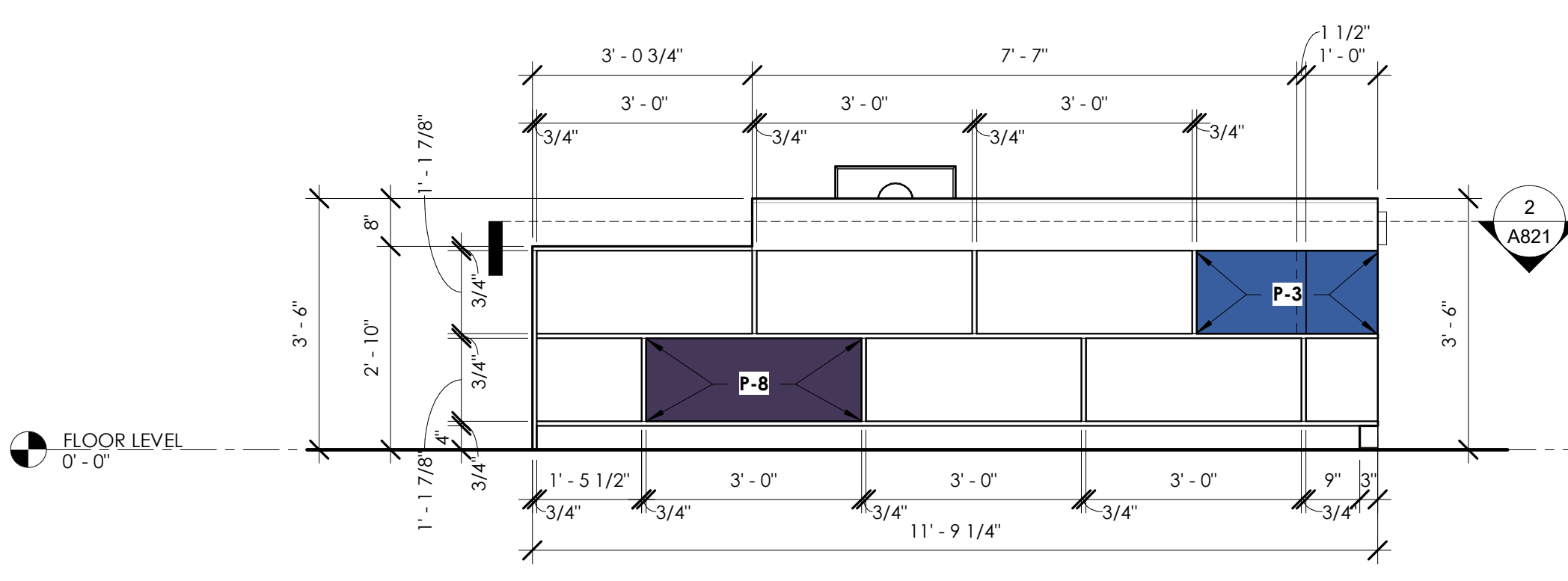
**5 HELP DESK INTERIOR SECTION 1**  
 1/2" = 1'-0"



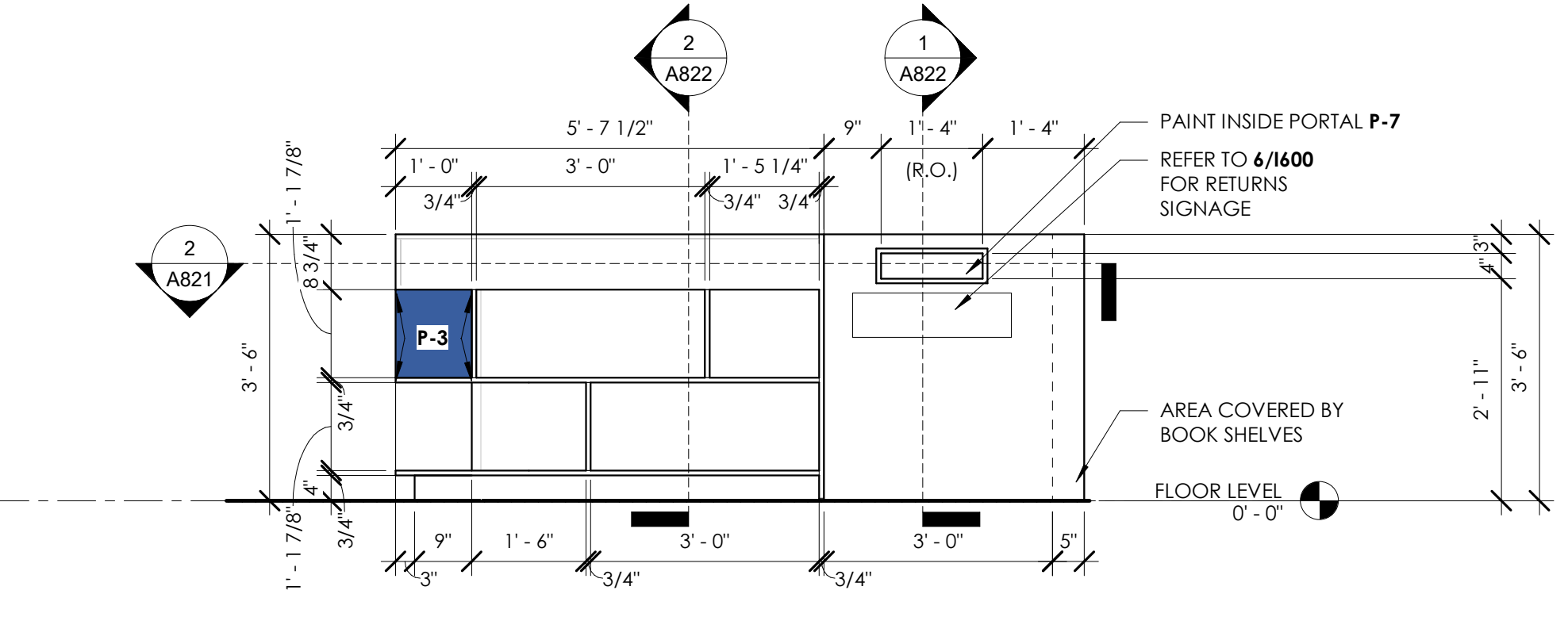
**3 HELP DESK 3D - 1**  
 1/2" = 1'-0"



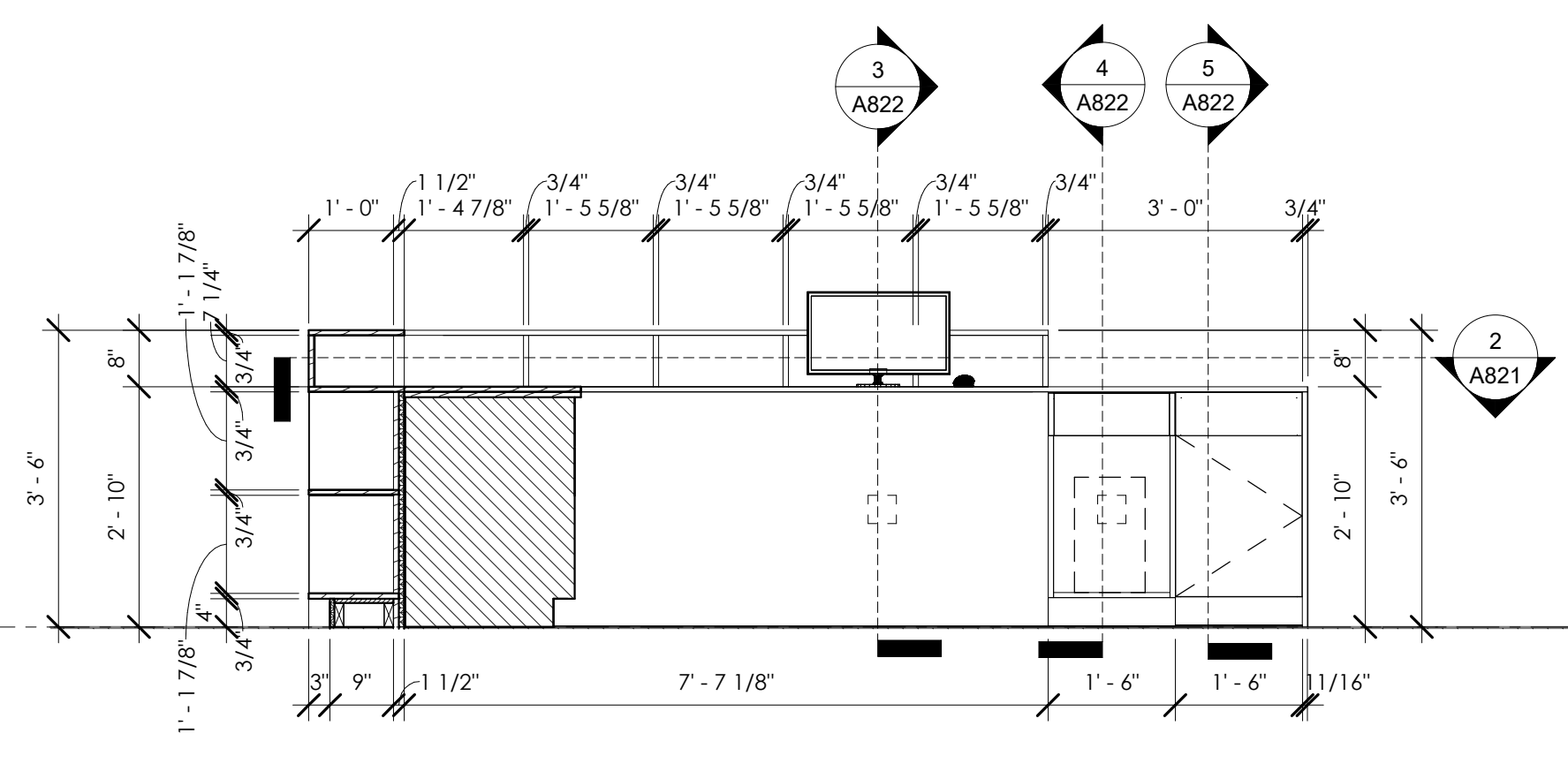
**3 HELP DESK 3D - 2**  
 1/2" = 1'-0"



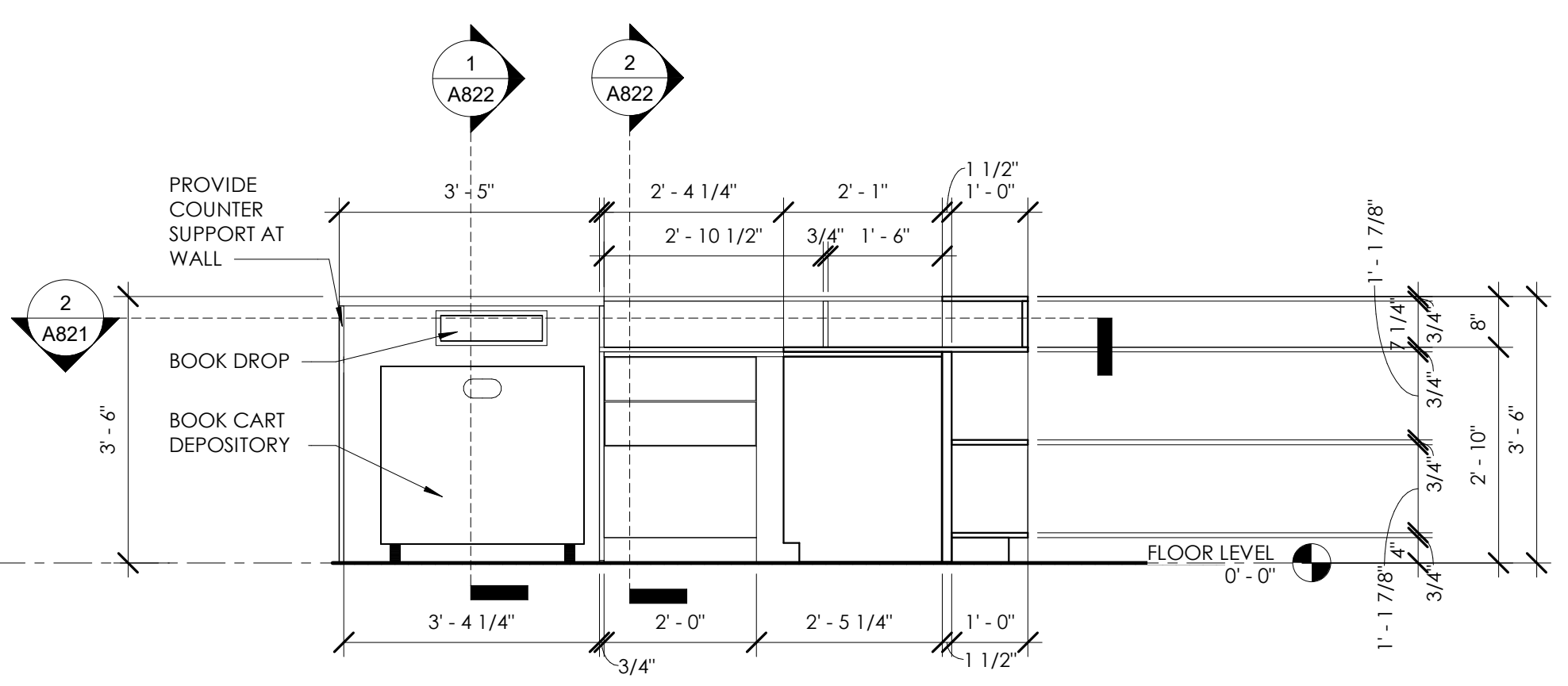
**3 HELP DESK FRONT ELEVATION**  
 1/2" = 1'-0"



**4 HELP DESK EAST ELEVATION**  
 1/2" = 1'-0"



**6 HELP DESK INTERIOR SECTION 2**  
 1/2" = 1'-0"



**7 HELP DESK INTERIOR SECTION 3**  
 1/2" = 1'-0"