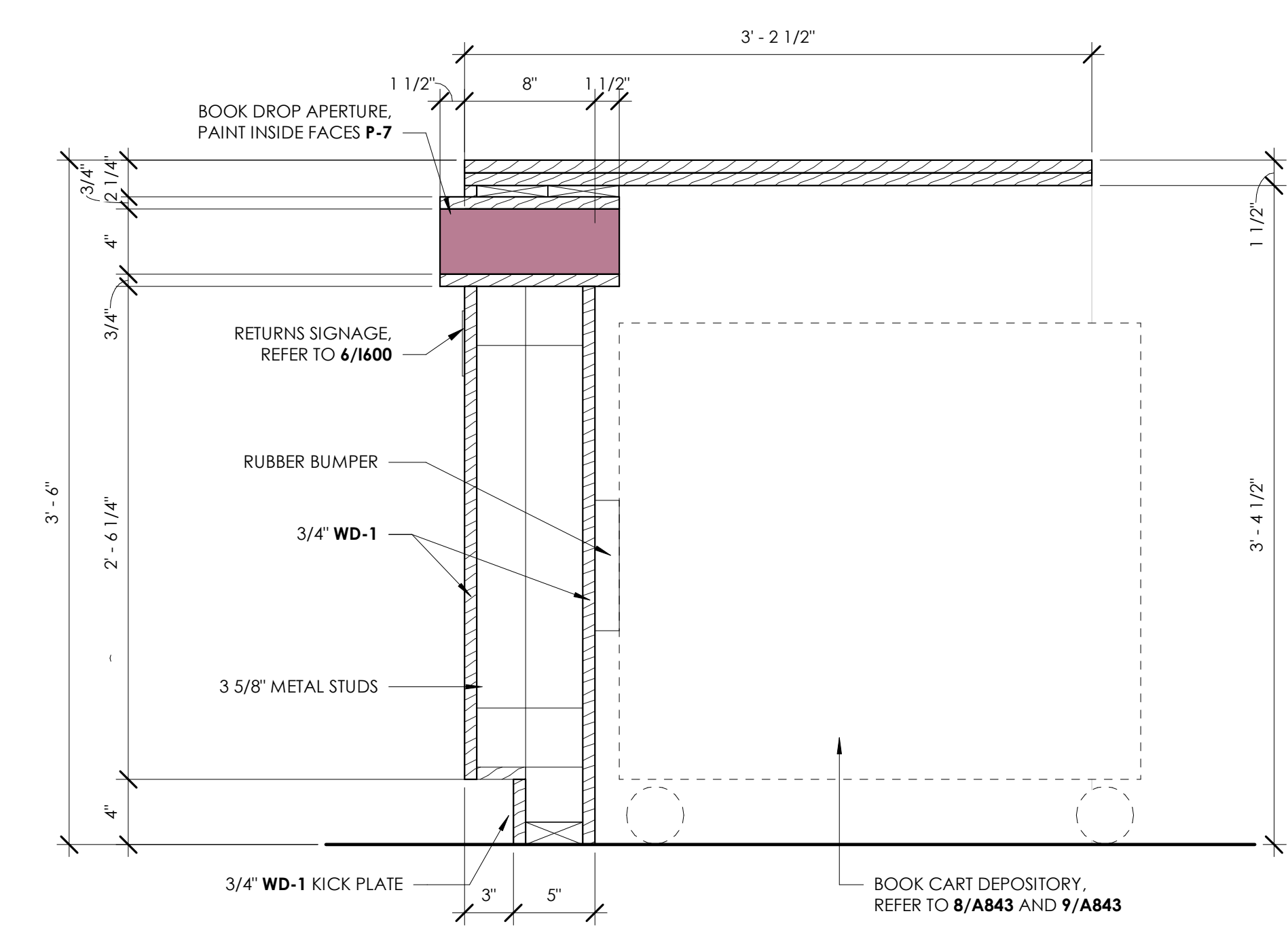
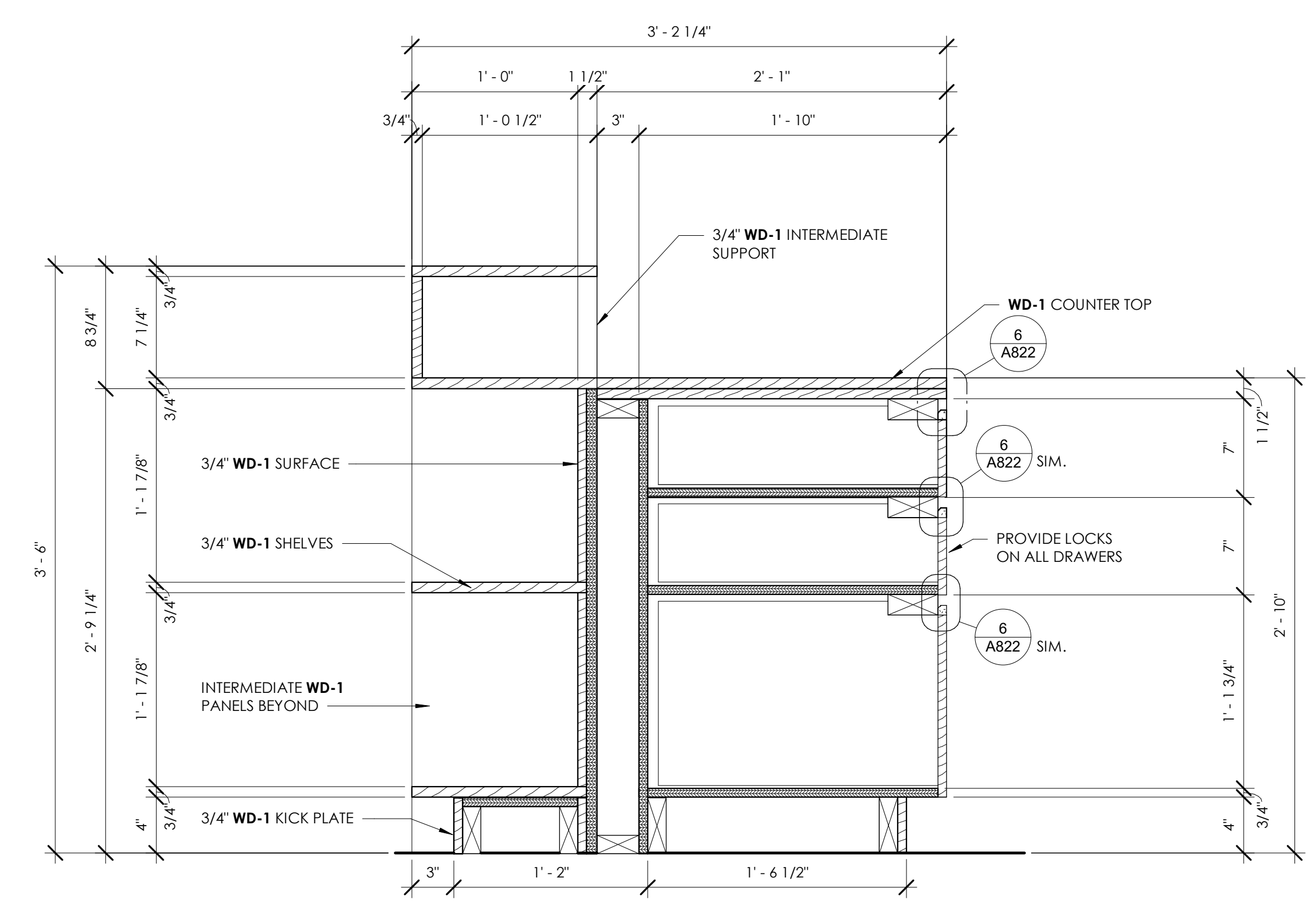


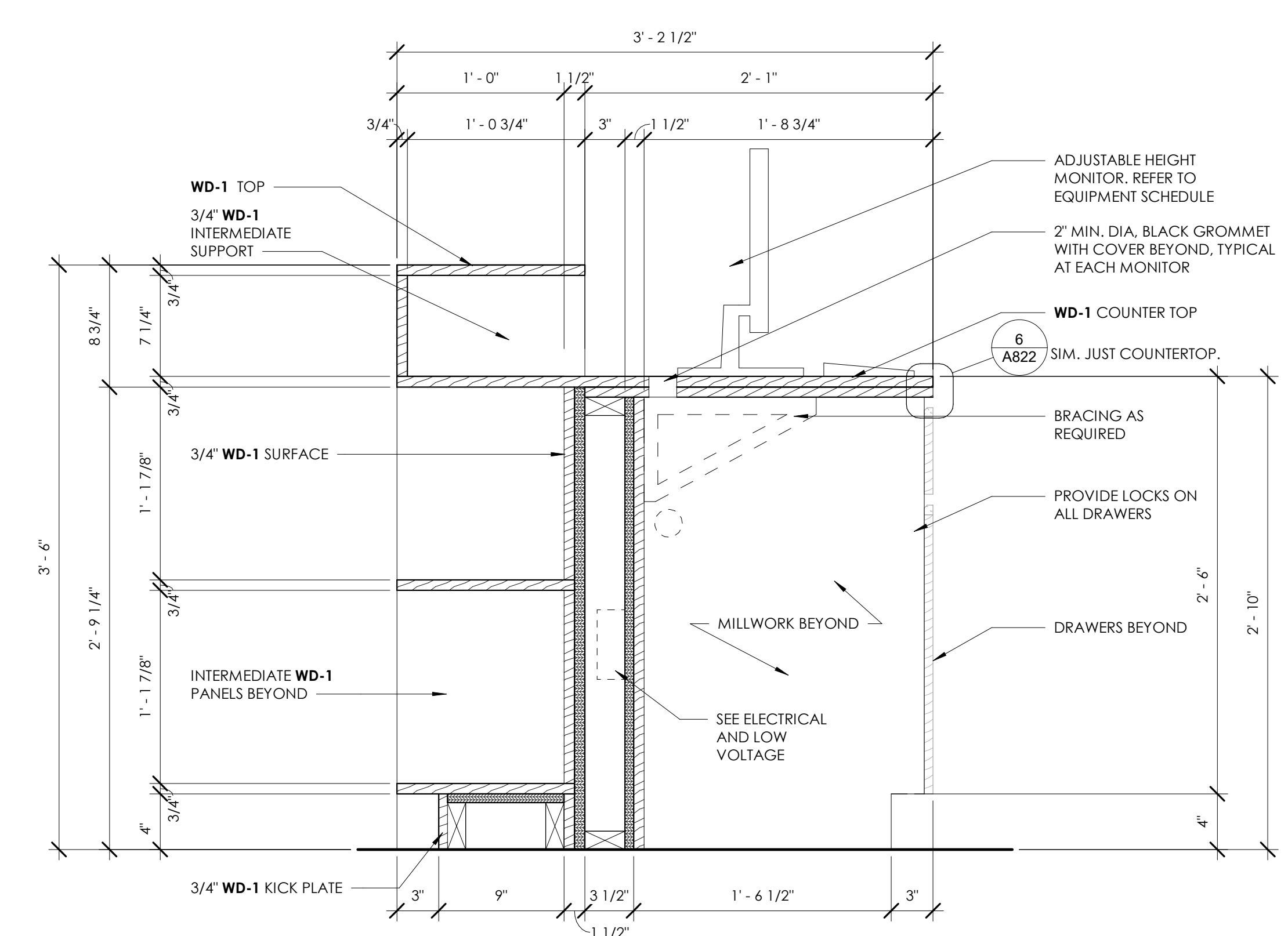
COLLINS P. LEE MEMORIAL LIBRARY
 237 HARRISBURG ROAD SW, MILLEDGEVILLE, GA 31061



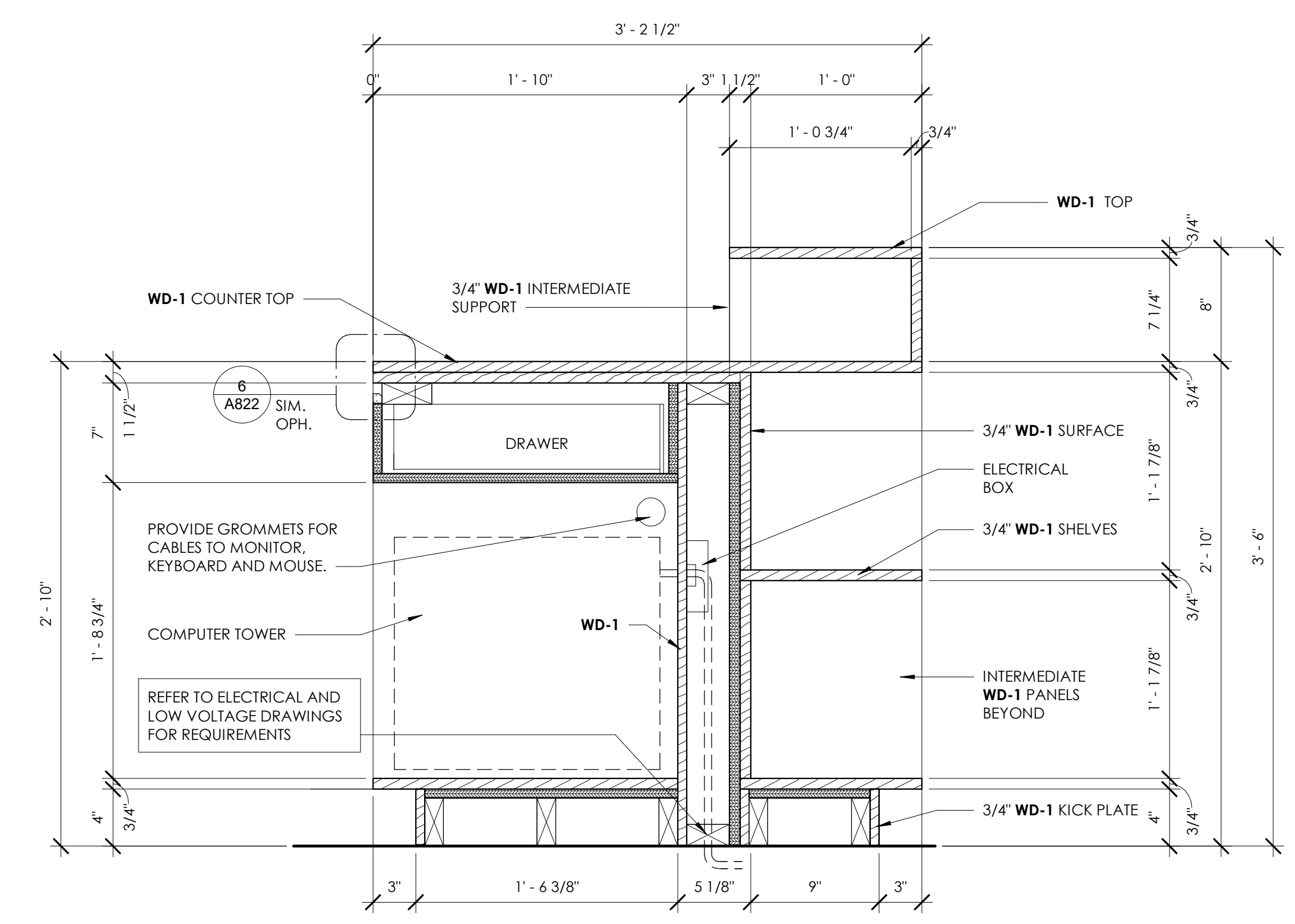
1 HELP DESK SECTION AT BOOK DROP
 A822 1 1/2" = 1'-0"



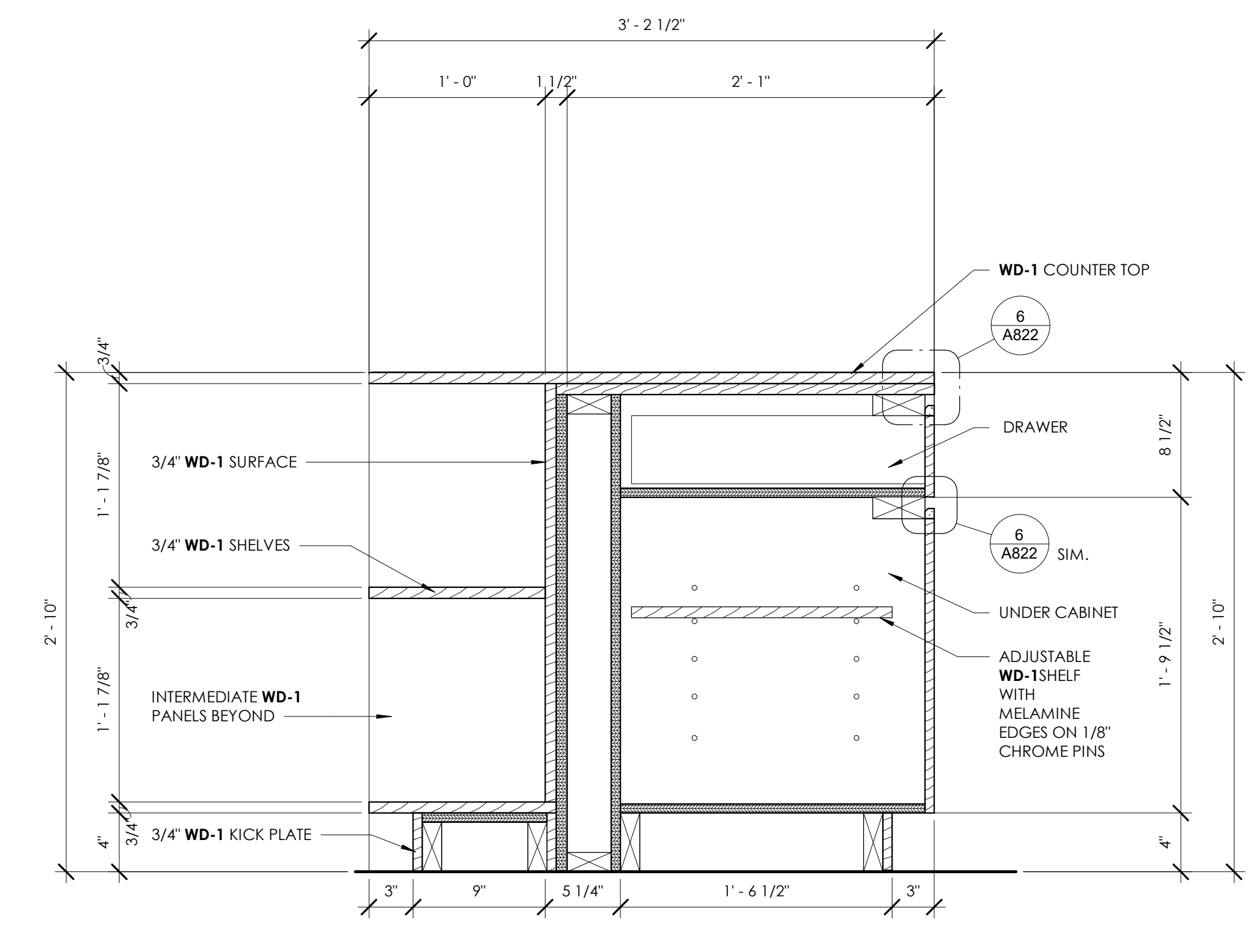
2 HELP DESK SECTION THRU DRAWERS 3
 A822 1 1/2" = 1'-0"



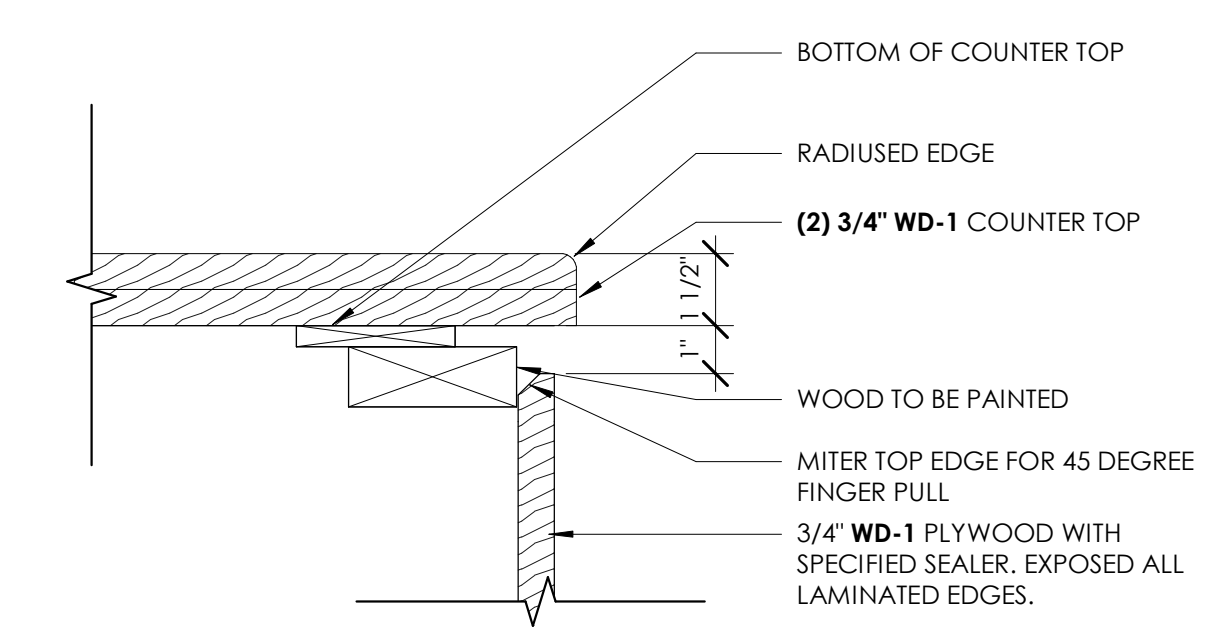
3 SECTION AT DESK
 A822 1 1/2" = 1'-0"



4 HELP DESK SECTION THRU DRAWERS 1
 A822 1 1/2" = 1'-0"



5 HELP DESK SECTION THRU DRAWERS 2
 A822 1 1/2" = 1'-0"



6 TYPICAL FINGER PULL DETAIL AT DESK
 A822 3" = 1'-0"

COPYRIGHT © 2024 CAS ARCHITECTURE, P.C. ALL RIGHTS RESERVED. THIS DOCUMENT AND ANY REPRODUCTIONS IN WHOLE OR IN PART, ARE INSTRUMENTS OF SERVICE AND ARE THE SOLE PROPERTY AND COPYRIGHT OF CAS ARCHITECTURE, P.C. AND MAY NOT BE REPRODUCED, PUBLISHED, USED OR COPIED IN ANY MANNER WITHOUT WRITTEN PERMISSION FROM CAS ARCHITECTURE, P.C. THESE DOCUMENTS HAVE BEEN PREPARED SPECIFICALLY FOR THIS PROJECT. THEY ARE NOT SUITABLE FOR USE ON OTHER PROJECTS OR IN OTHER LOCATIONS.

THIS DOCUMENT WAS CREATED ELECTRONICALLY. THIS MEDIA SHOULD NOT BE CONSIDERED A CERTIFIED DOCUMENT UNLESS IT HAS BEEN PROPERLY SEALED AND ORIGINALLY SIGNED BY A REGISTERED ARCHITECT OF CAS ARCHITECTURE, P.C.

THESE PLANS ARE COMPLEMENTARY THEREFORE THE CONTRACTOR SHALL SEE THE ARCHITECTURAL, STRUCTURAL, MECHANICAL, PLUMBING, AND ELECTRICAL PLANS AND SPECIFICATIONS, WHEN REQUIRED BY ANY ONE SHALL BE BINDING AS REQUIRED BY ALL. THE ATTENTION OF THE CONTRACTOR IS TO BE TO ALL MATERIALS, MATERIALS, EQUIPMENT AND OTHER DEVICES NECESSARY FOR THE PROPER EXECUTION AND COMPLETION OF THE WORK. THE CONTRACTOR SHALL BE RESPONSIBLE FOR THE COORDINATION OF THE WORK OF ALL TRADES.

NO.	DATE	ISSUANCE / REVISIONS

SHEET TITLE
 MILLWORK SECTIONS AND DETAILS

SHEET NUMBER
A822

PROJECT	DATE	DRAWN
25114	2026/03/20	CAS
FILE	25114.LEE MEMORIAL LIBRARY R1V24	