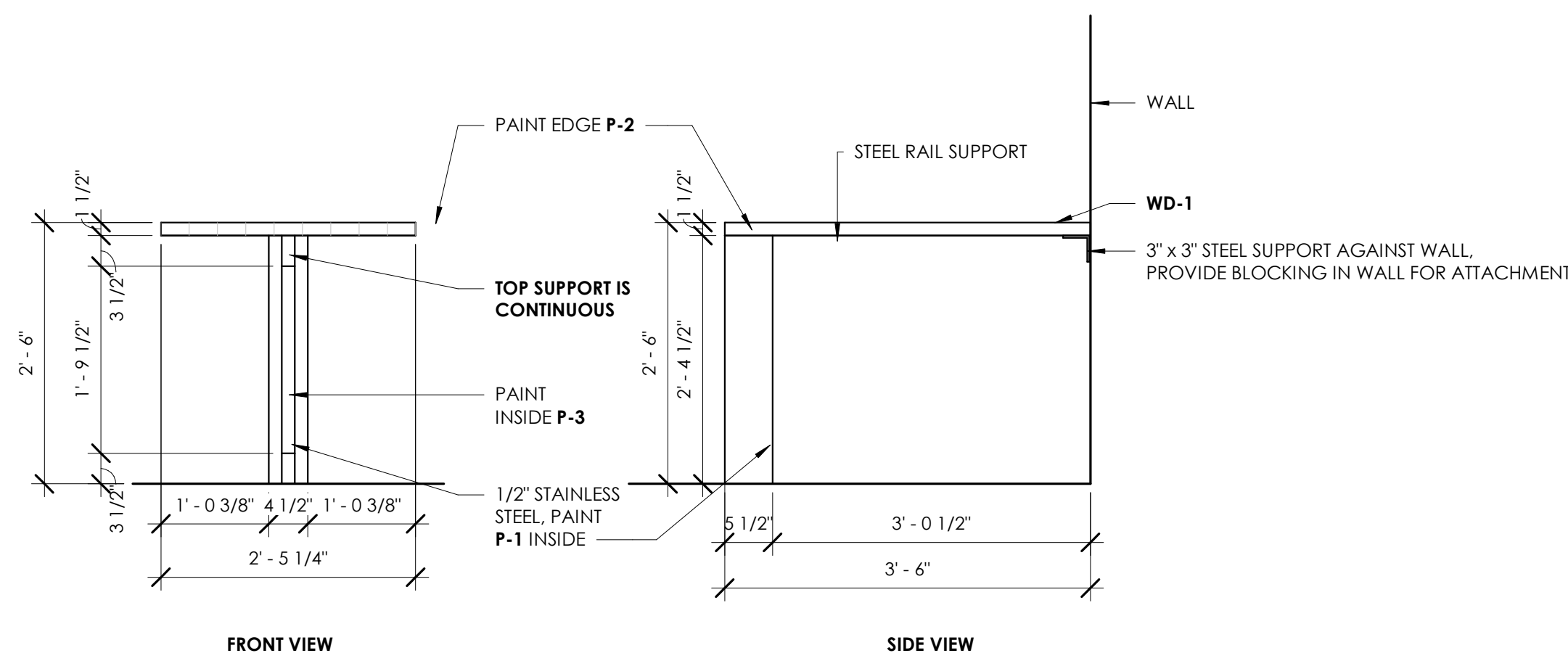
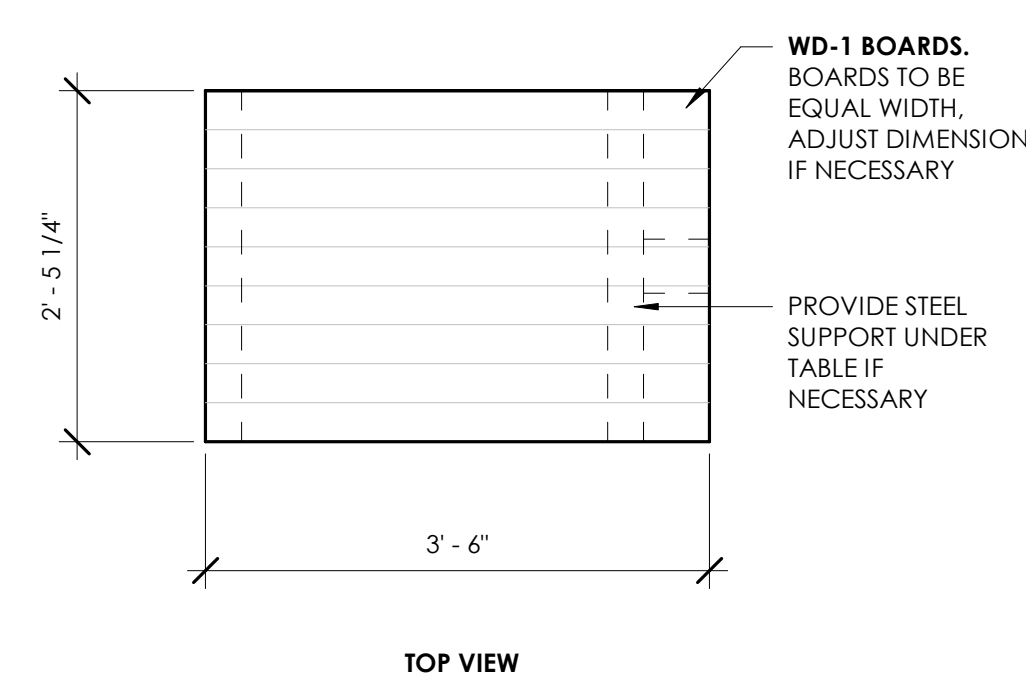
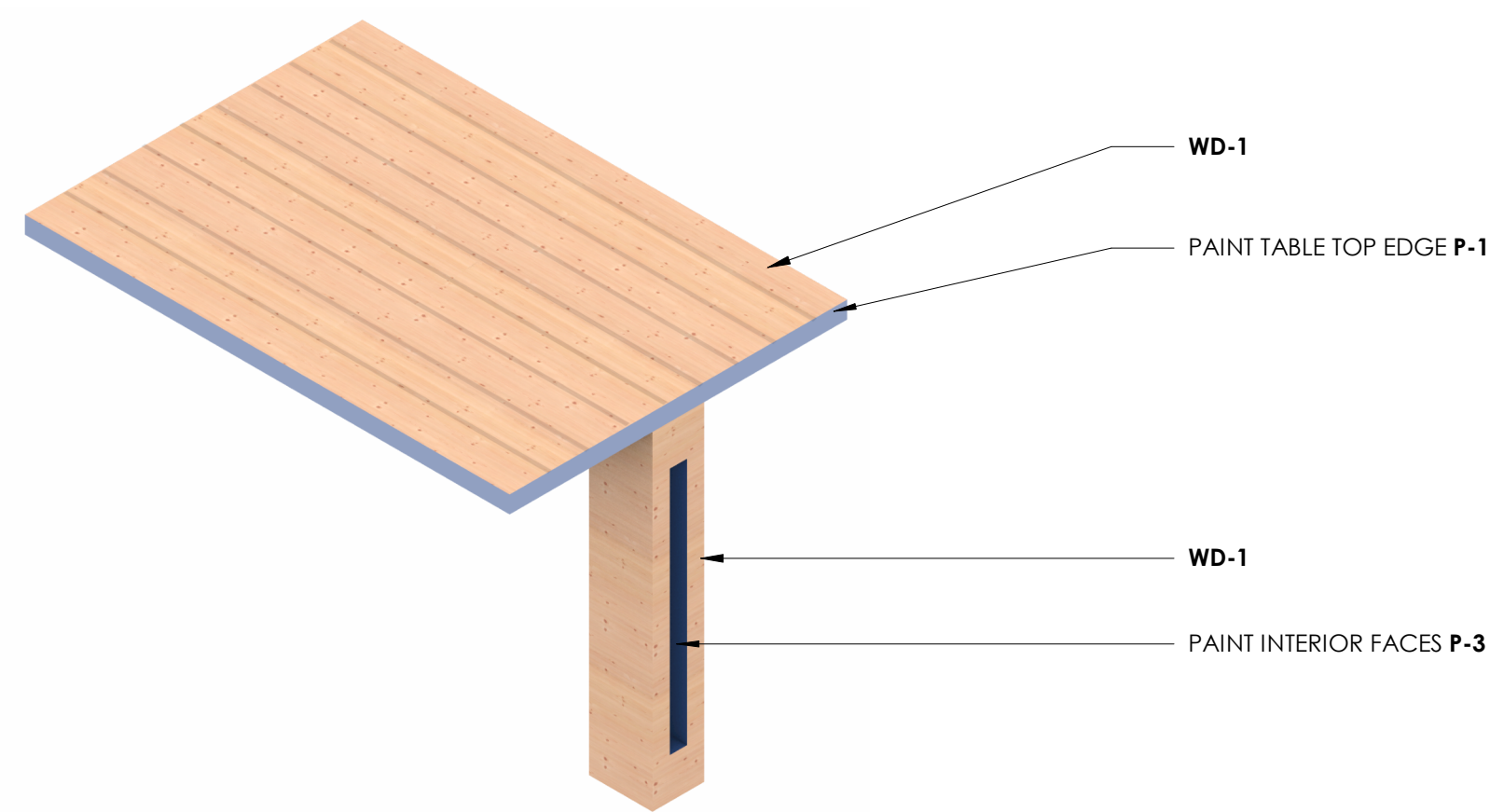


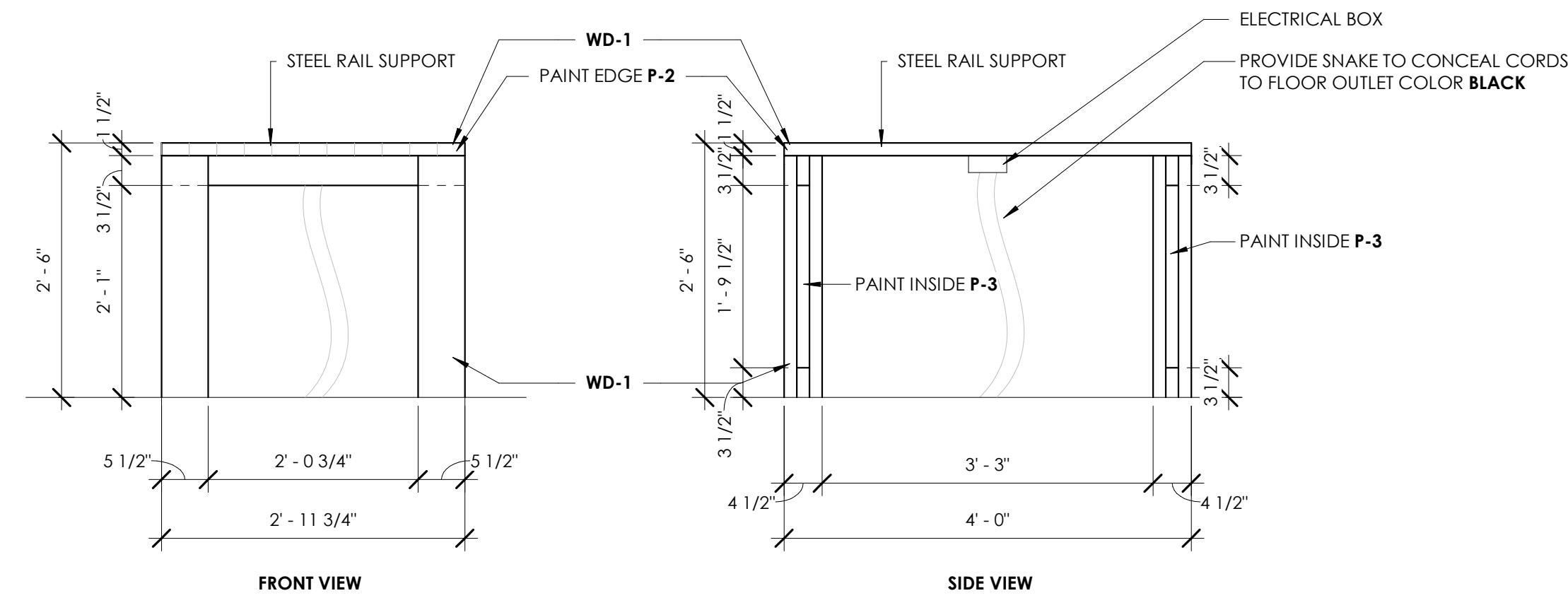
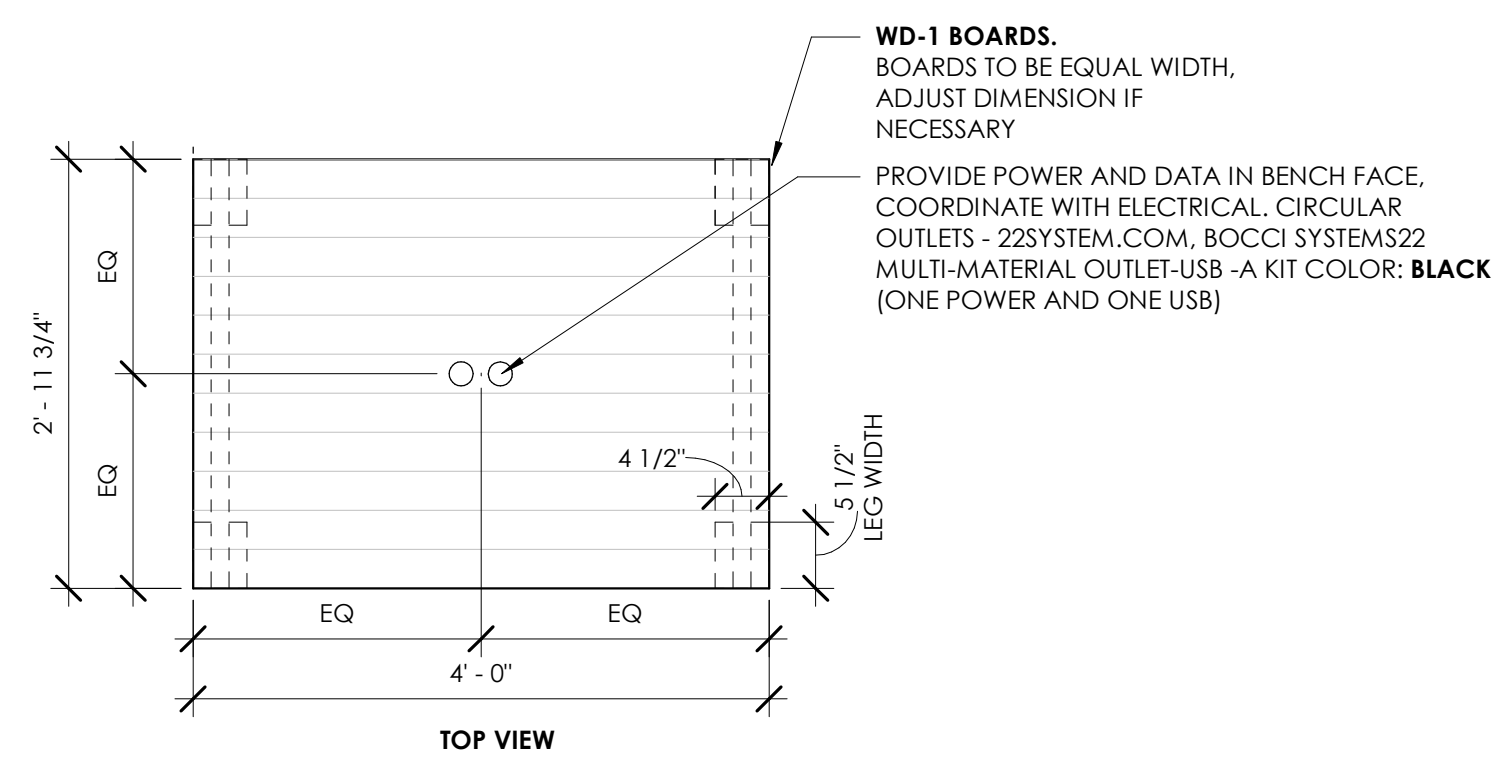
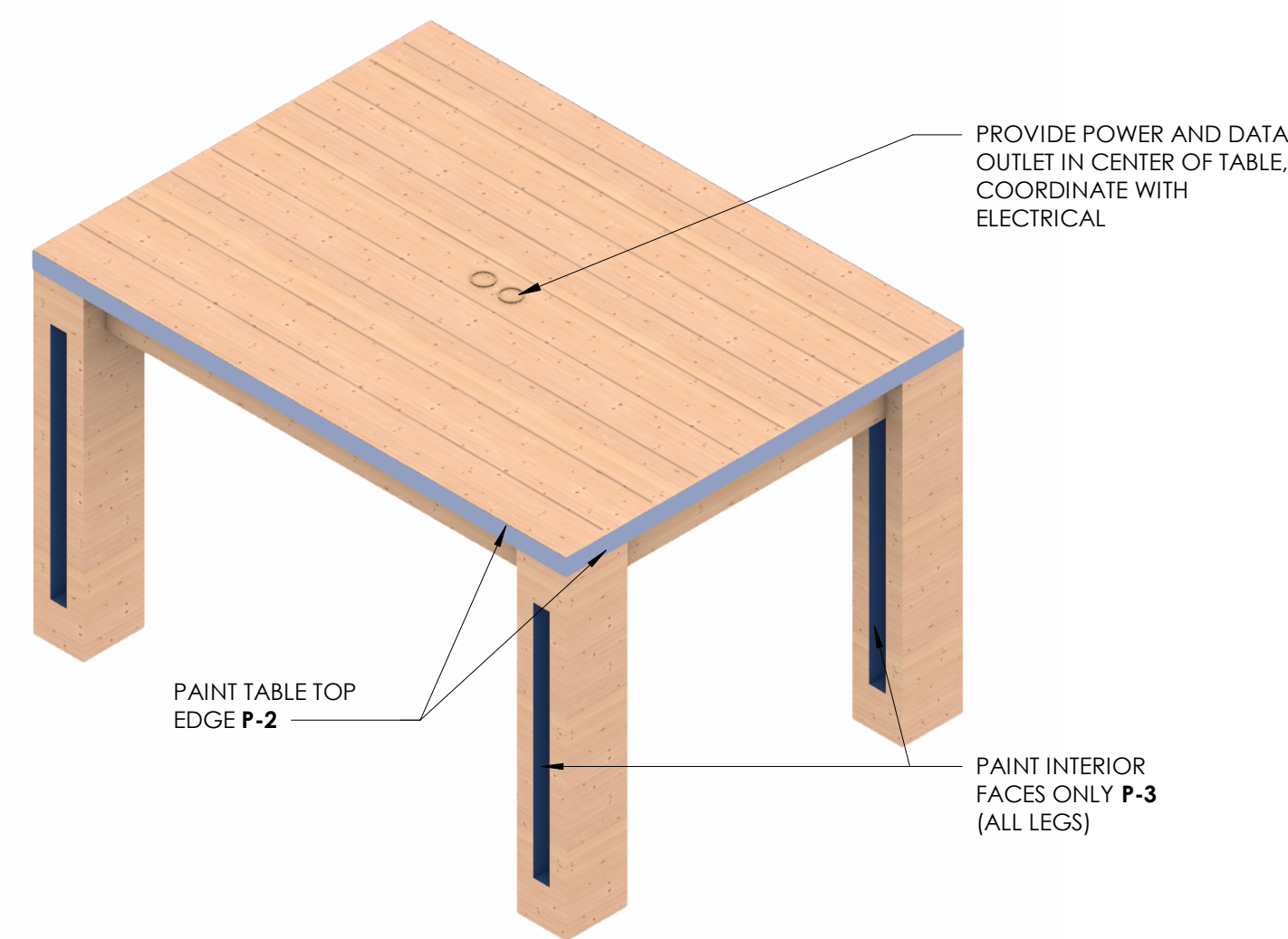
1 ADULT SPOT TABLE AXONOMETRIC
A841

2 ADULT SPOT TABLE (CONTRACTOR TO PROVIDE QUANTITY OF ONE PLUS ONE SAMPLE)
3/4" = 1'-0"



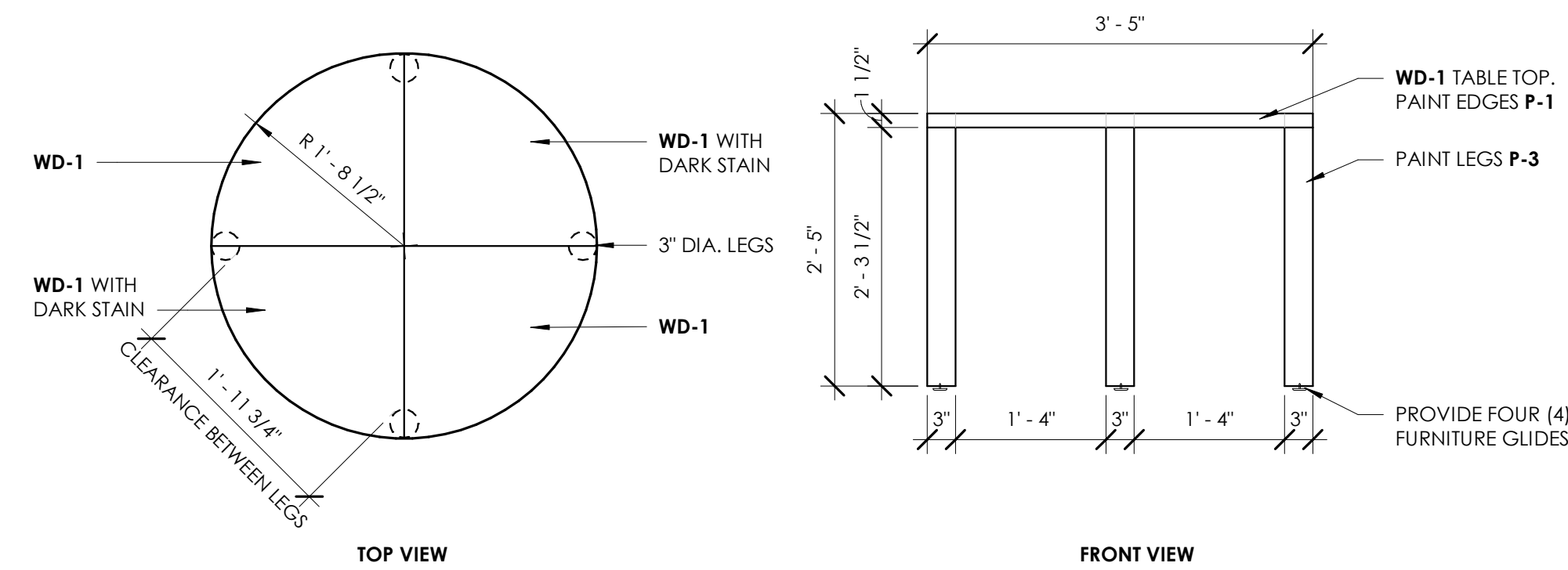
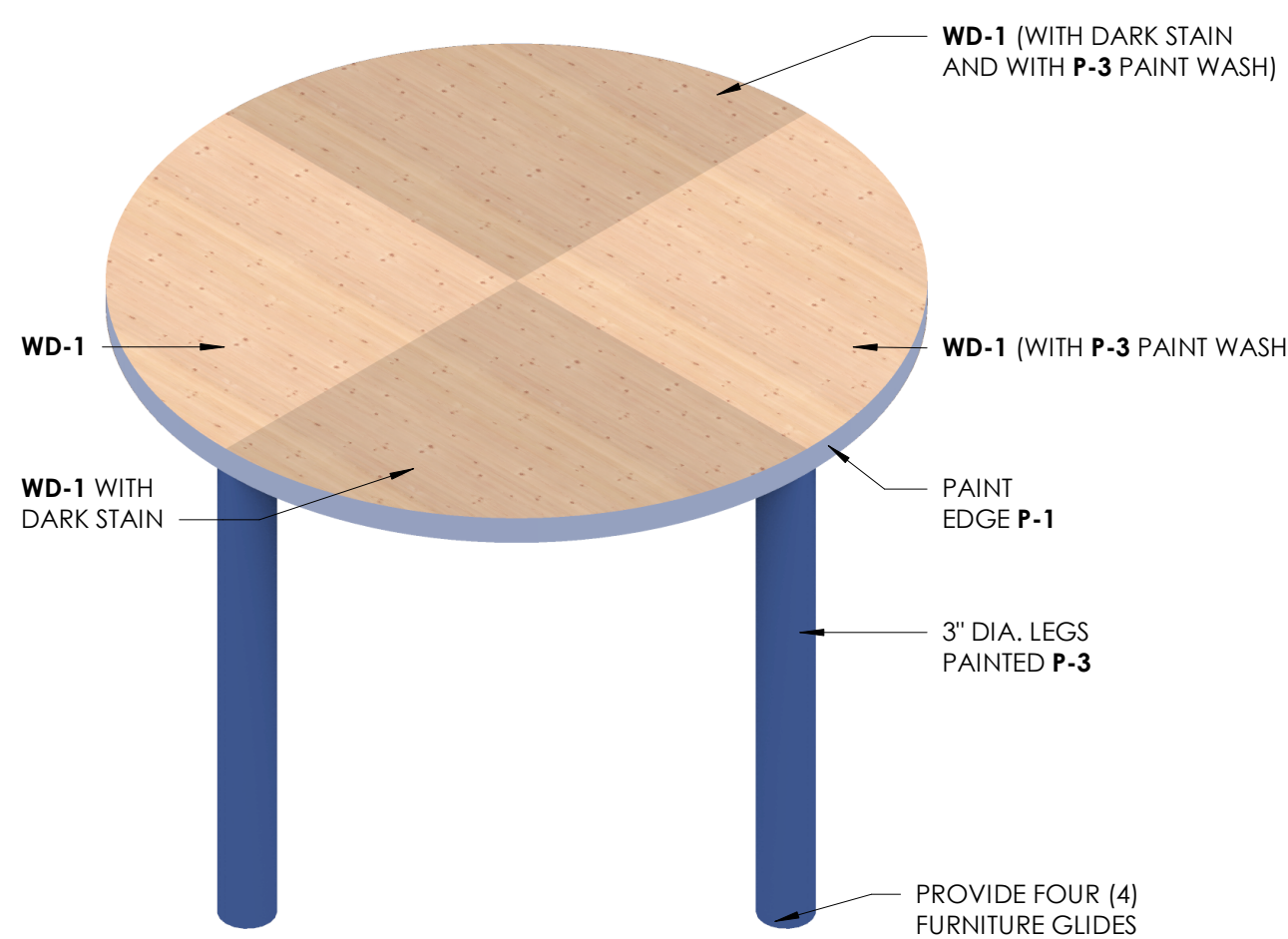
3 ADULT WALL TABLE AXONOMETRIC
A841

4 ADULT WALL TABLE (CONTRACTOR TO PROVIDE QUANTITY OF TWO)
3/4" = 1'-0"



5 ADULT TABLE AXONOMETRIC
A841

6 ADULT TABLE (CONTRACTOR TO PROVIDE QUANTITY OF FOUR)
3/4" = 1'-0"



7 CHILDREN'S SPOT TABLE AXONOMETRIC
A841

8 CHILDREN'S SPOT TABLE (CONTRACTOR TO PROVIDE QUANTITY OF THREE)
3/4" = 1'-0"

FURNITURE MANUFACTURERS

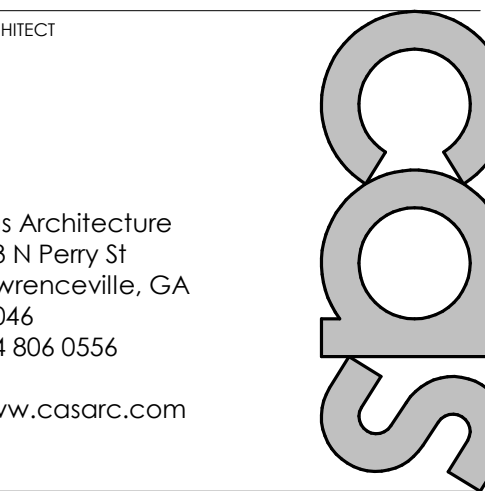
REFER TO SPECIFICATION 125651 FOR FURNITURE MANUFACTURER.

FURNITURE GLIDES

FURNITURE GLIDE SLIDERS- GEAR PIPE (TE FLON) CHAIR MOVERS SLIDES FOR CARPET - FLOOR PROTECTOR (1" - 1 1/2")

WOOD SPECIFICATION

REFER TO FINISH LEGEND 1110 FOR WOOD SPECIES AND FINISH.



Cas Architecture
183 N Perry St
Lawrenceville, GA
30046
404 806 0556
www.casgrc.com

CONSULTANT

SEAL



IF SEALED, DO NOT COPY

PROJECT

COLLINS P. LEE MEMORIAL LIBRARY
237 HARRISBURG ROAD SW, MILLEDGEVILLE, GA 31061

COPYRIGHT © 2024 CAS ARCHITECTURE, P.C. ALL RIGHTS RESERVED. THIS DOCUMENT AND ANY REPRODUCTIONS, IN WHOLE OR IN PART, ARE INSTRUMENTS OF SERVICE AND ARE THE SOLE PROPERTY AND COPYRIGHT OF CAS ARCHITECTURE, P.C. AND MAY NOT BE REPRODUCED, PUBLISHED, USED OR COPIED IN ANY MANNER WITHOUT WRITTEN PERMISSION FROM CAS ARCHITECTURE, P.C. THESE DOCUMENTS HAVE BEEN PREPARED SPECIFICALLY FOR THIS PROJECT. THEY ARE NOT SUITABLE FOR USE ON OTHER PROJECTS OR IN OTHER LOCATIONS.

THIS DOCUMENT WAS CREATED ELECTRONICALLY. THIS MEDIA SHOULD NOT BE CONSIDERED A CERTIFIED DOCUMENT UNLESS IT HAS BEEN PROPERLY SEALED AND ORIGINALLY SIGNED BY A REGISTERED ARCHITECT OF CAS ARCHITECTURE, P.C.

THESE PLANS ARE COMPLEMENTARY. THEREFORE THE CONTRACTOR SHALL SEE THE ARCHITECTURAL, STRUCTURAL, MECHANICAL, PLUMBING, AND ELECTRICAL PLANS AND SPECIFICATIONS, WHEN REQUIRED BY ANY ONE SHALL BE BINDING AS REQUIRED BY ALL. THE INTENTION OF THE DOCUMENTS IS TO INCLUDE ALL LABOR, MATERIALS, EQUIPMENT AND OTHER ITEMS NECESSARY FOR THE PROPER EXECUTION AND COMPLETION OF THE WORK. THE CONTRACTOR SHALL BE RESPONSIBLE FOR THE COORDINATION OF THE WORK OF ALL TRADES.

NO.	DATE	ISSUANCE / REVISIONS

SHEET TITLE
FURNITURE / MILLWORK DETAILS

SHEET NUMBER

A841

PROJECT DATE DRAWN
25114 2026/03/20 CAS

FILE 25114_LEE MEMORIAL LIBRARY RV124