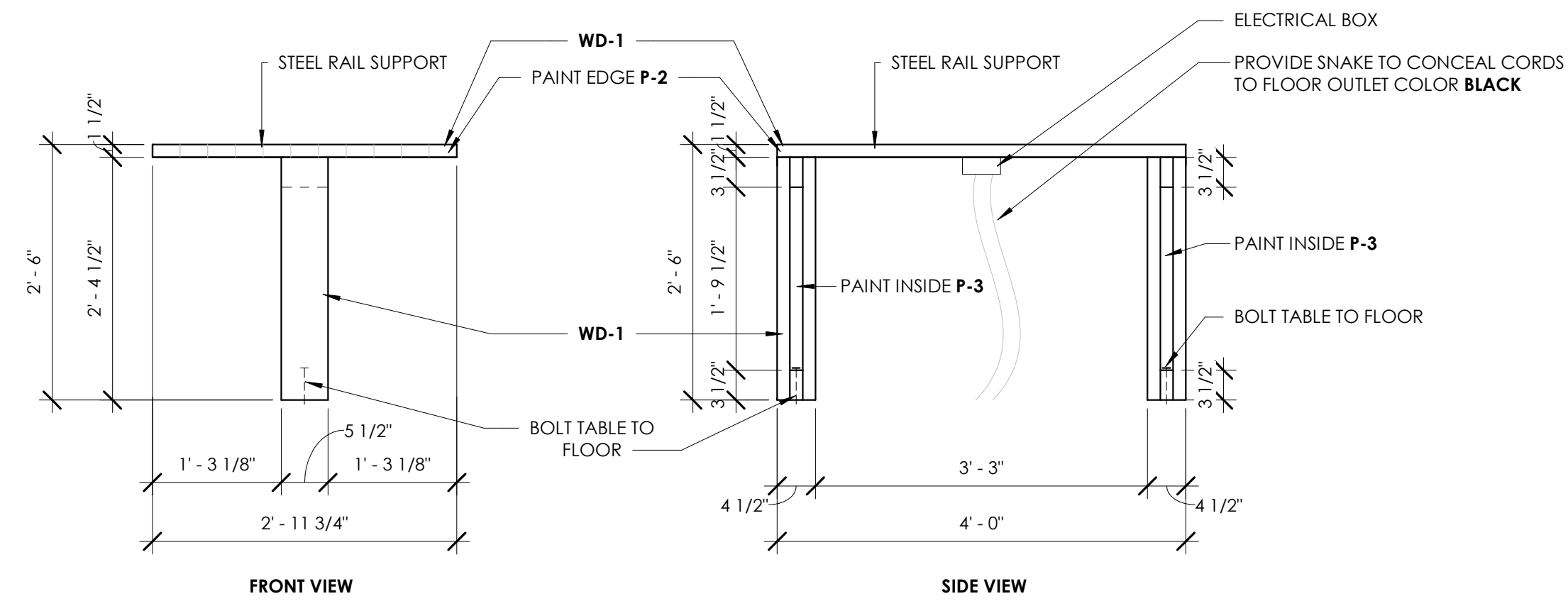
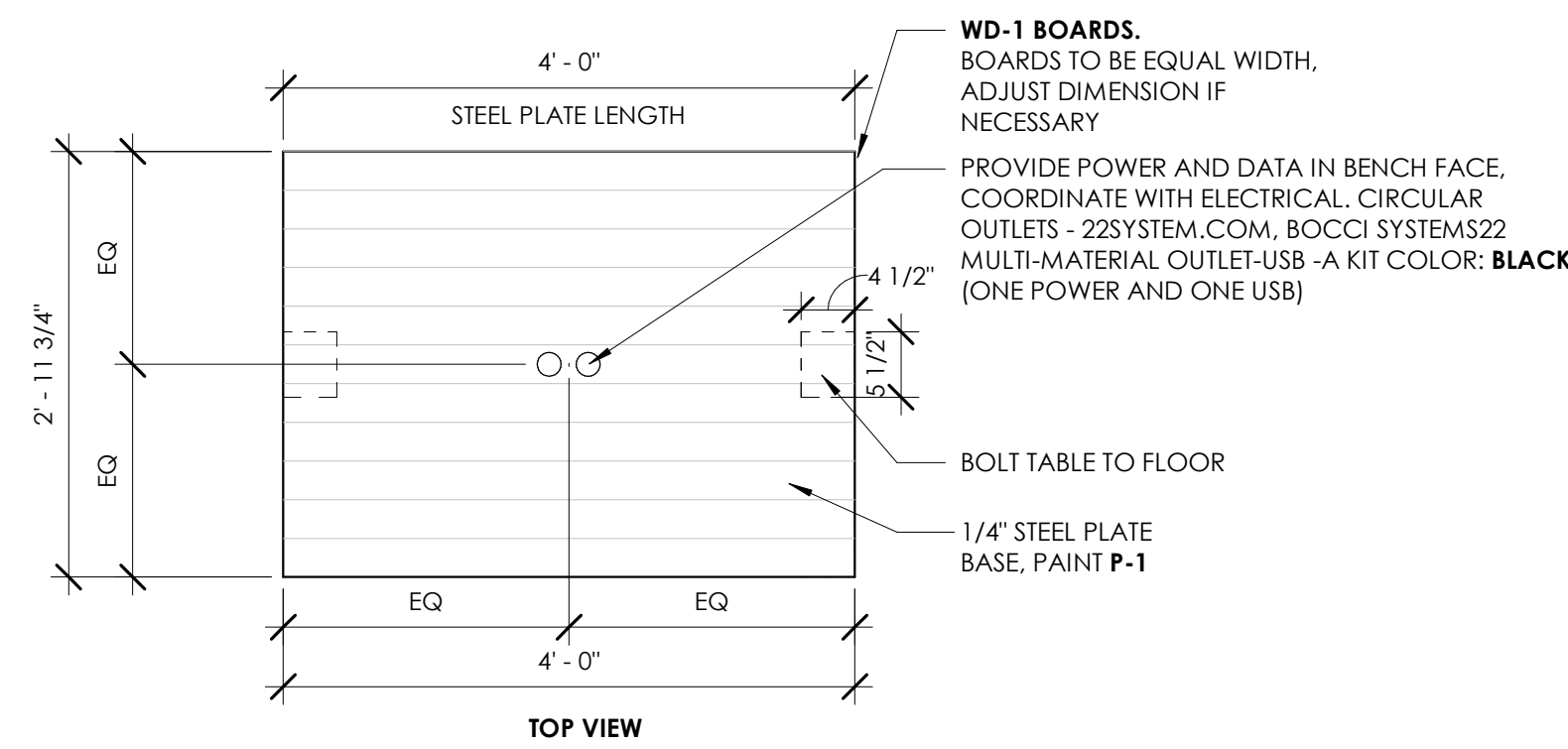
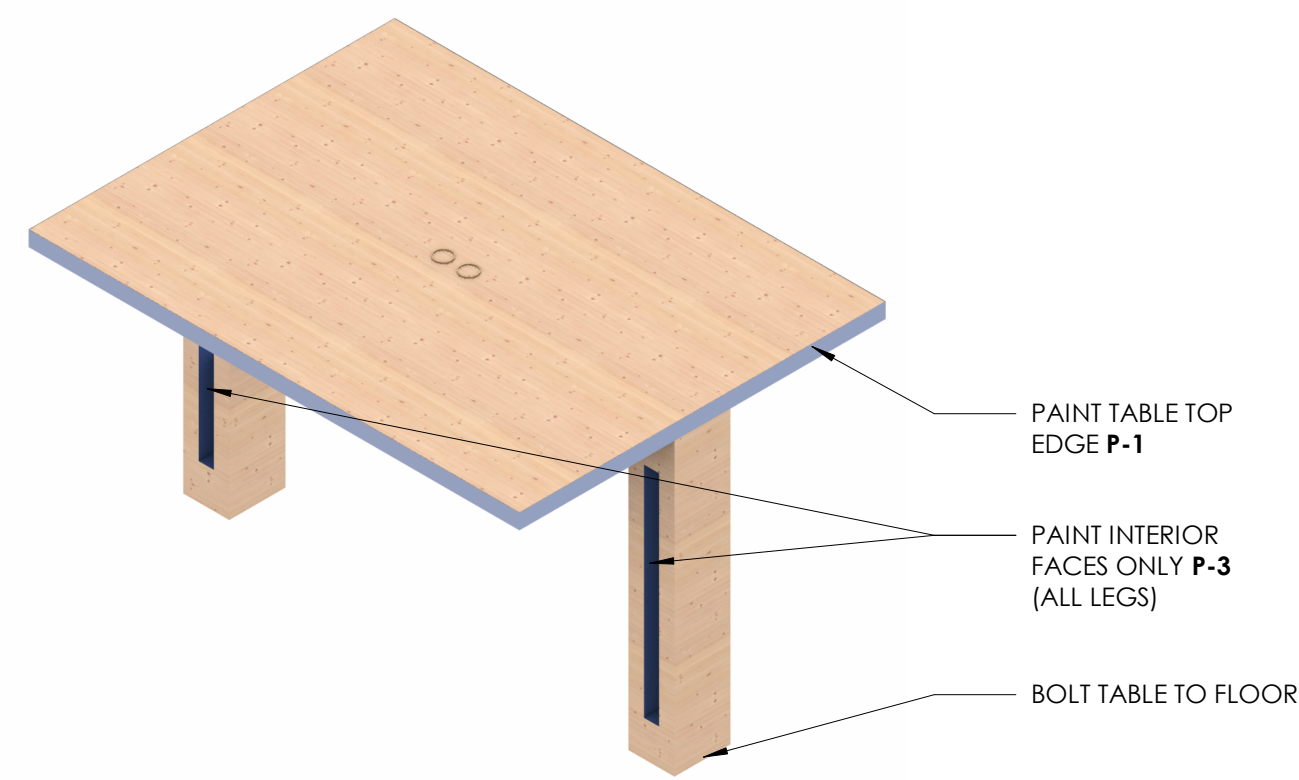


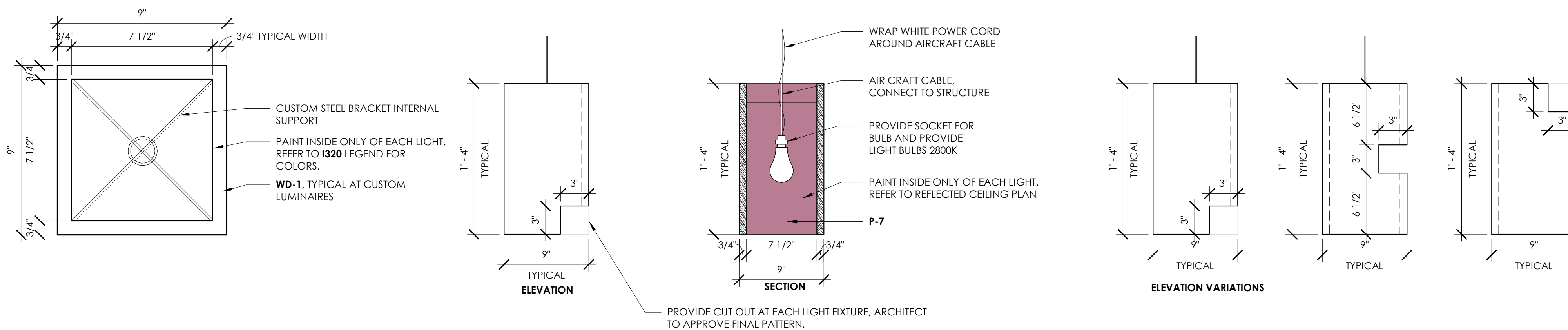
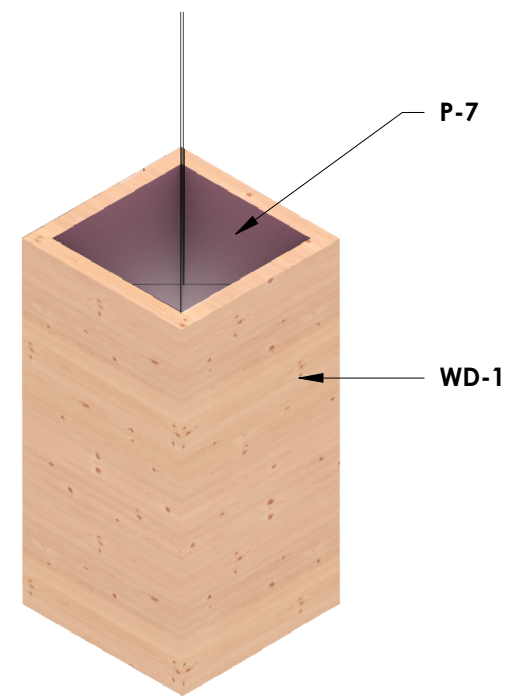
1 CHILDREN'S STOOL AXONOMETRIC
A843

2 CHILDREN'S SPOT STOOL (CONTRACTOR TO PROVIDE QUANTITY OF FIVE PLUS ONE SAMPLE)
3/4" = 1'-0"



3 ADULT TABLE AXONOMETRIC
A843

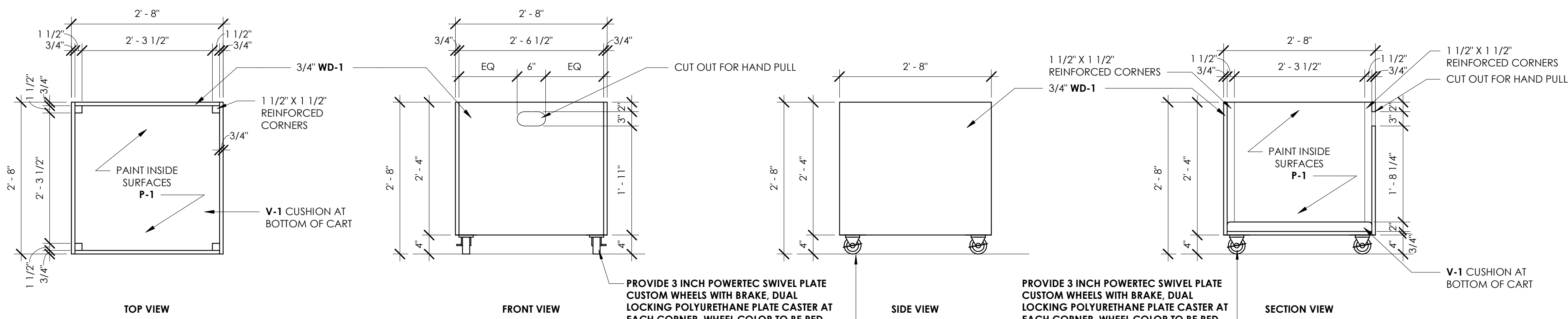
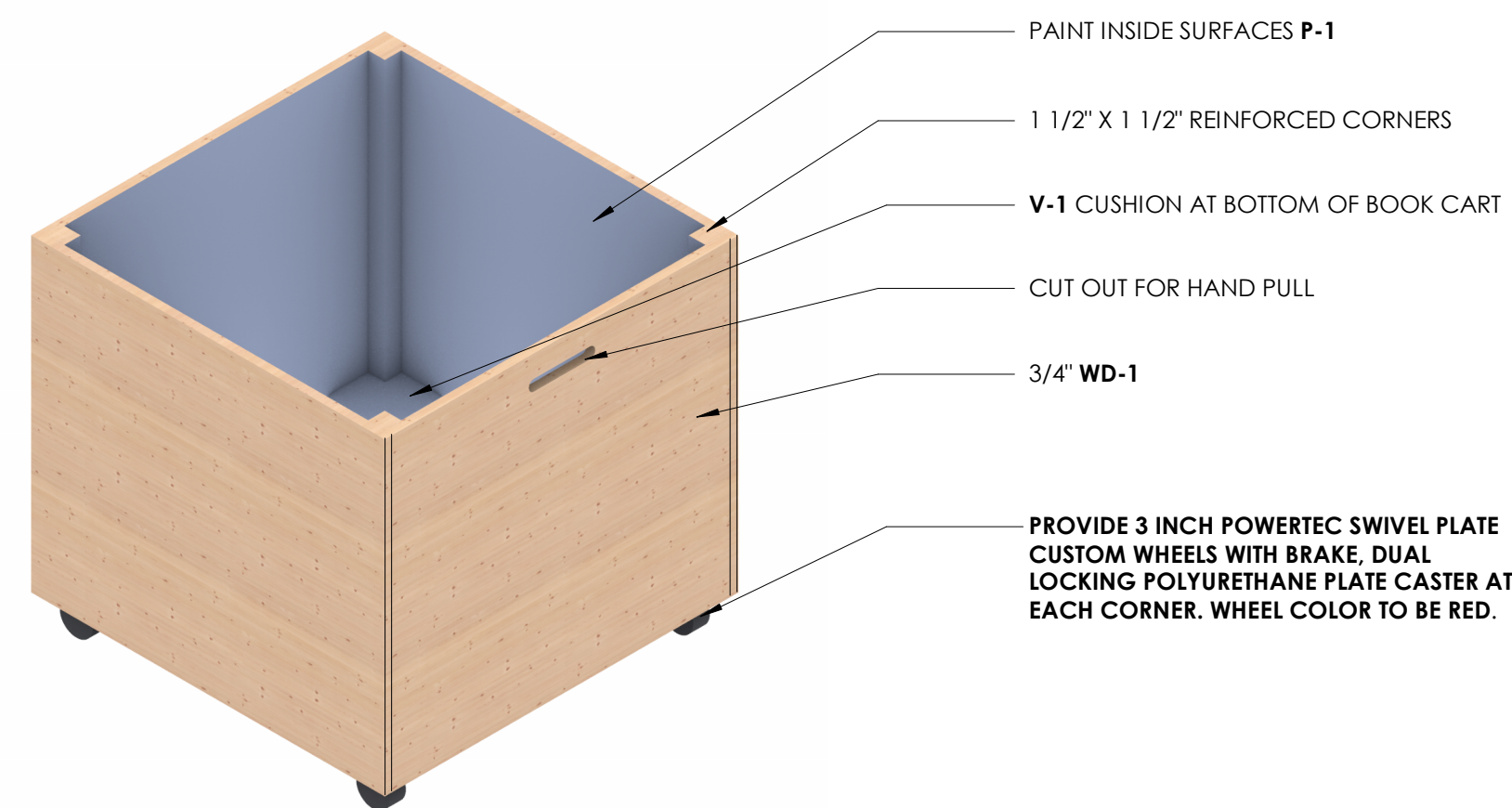
4 ADULT TABLE (CONTRACTOR TO PROVIDE QUANTITY OF ONE)
3/4" = 1'-0"



5 CUSTOM LUMINAIRE AXONOMETRIC
A843

6 TYPICAL CUSTOM LUMINAIRE PLAN
3" = 1'-0"

7 CUSTOM LUMINAIRE (CONTRACTOR TO PROVIDE QUANTITY OF THIRTY PLUS ONE SAMPLE)
1 1/2" = 1'-0"



8 BOOK CART AXONOMETRIC
A843

9 BOOK CART (CONTRACTOR TO PROVIDE QUANTITY OF ONE)
3/4" = 1'-0"

FURNITURE MANUFACTURERS

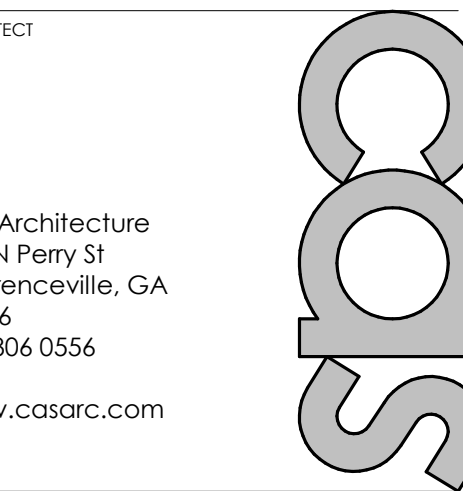
REFER TO SPECIFICATION 125651 FOR FURNITURE MANUFACTURER.

FURNITURE GLIDES

FURNITURE GLIDE SLIDERS- CLEAR PTFE (TE FLO) CHAIR WHEELS SLIDERS FOR CARPET- FLOOR PROTECTOR (1" - 1 1/2")

WOOD SPECIFICATION

REFER TO FINISH LEGEND I110 FOR WOOD SPECIES AND FINISH.



Cas Architecture
183 N Perry St
Lawrenceville, GA
30046
404 806 0556

www.casarc.com

CONSULTANT

FURNITURE GLIDE SLIDERS- CLEAR PTFE (TE FLO) CHAIR WHEELS SLIDERS FOR CARPET- FLOOR PROTECTOR (1" - 1 1/2")

SEAL



IF SEALED, DO NOT COPY

PROJECT

COLLINS P. LEE MEMORIAL LIBRARY
237 HARRISBURG ROAD SW, MILLEDGEVILLE, GA 31061

COPYRIGHT © 2024 CAS ARCHITECTURE, P.C. ALL RIGHTS RESERVED. THIS DOCUMENT AND ANY REPRODUCTION, IN WHOLE OR IN PART, ARE INSTRUMENTS OF SERVICE AND ARE THE SOLE PROPERTY AND COPYRIGHT OF CAS ARCHITECTURE, P.C. AND MAY NOT BE REPRODUCED, PUBLISHED, USED OR COPIED IN ANY MANNER WITHOUT WRITTEN PERMISSION FROM CAS ARCHITECTURE, P.C. THESE DOCUMENTS HAVE BEEN PREPARED SPECIFICALLY FOR THIS PROJECT. THEY ARE NOT SUITABLE FOR USE ON OTHER PROJECTS OR IN OTHER LOCATIONS.

THIS DOCUMENT WAS CREATED ELECTRONICALLY. THIS MEDIA SHOULD NOT BE CONSIDERED A CERTIFIED DOCUMENT UNLESS IT HAS BEEN PROPERLY SEALED AND ORIGINALLY SIGNED BY A REGISTERED ARCHITECT OF GA ARCHITECTURE, P.C.

THESE PLANS ARE COMPLEMENTARY. THEREFORE THE CONTRACTOR SHALL SEE THE ARCHITECTURAL, STRUCTURAL, MECHANICAL, PLUMBING, AND ELECTRICAL PLANS AND SPECIFICATIONS, WHEN REQUIRED BY ANY ONE SHALL BE BINDING AS REQUIRED BY ALL. THE RETENTION OF THE DOCUMENTS BY THE CLIENT, MATERIALS, EQUIPMENT AND OTHER DEVS NECESSARY FOR THE PROPER EXECUTION AND COMPLETION OF THE WORK. THE CONTRACTOR SHALL BE RESPONSIBLE FOR THE COORDINATION OF THE WORK OF ALL TRADES.

NO.	DATE	ISSUANCE / REVISIONS
		REVISED FOR PERMITS AND BID

SHEET TITLE
FURNITURE / MILLWORK DETAILS

SHEET NUMBER

A843

PROJECT DATE DRAWN
25114 2026/03/20 CAS

FILE 25114_LEE MEMORIAL LIBRARY RV124