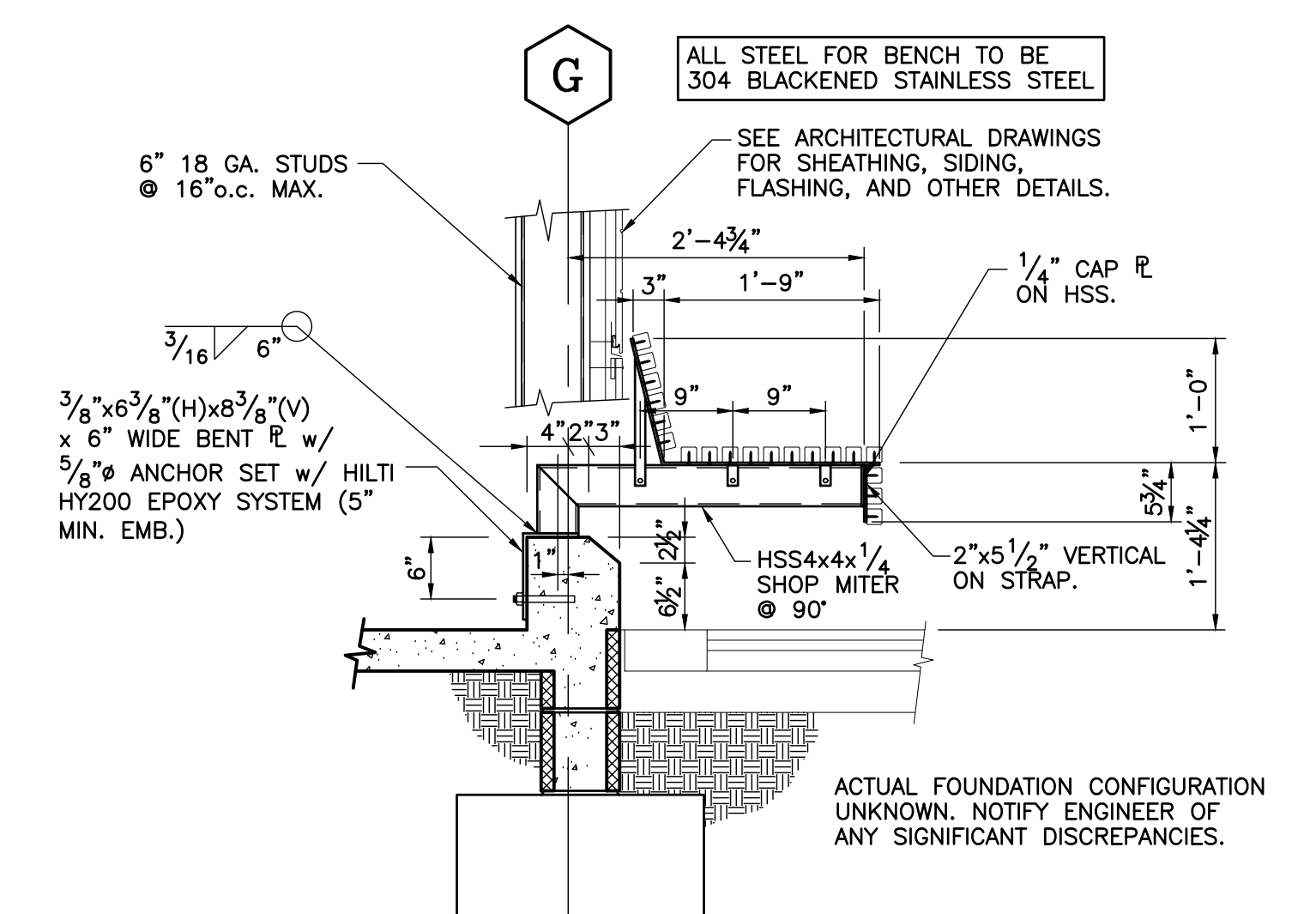
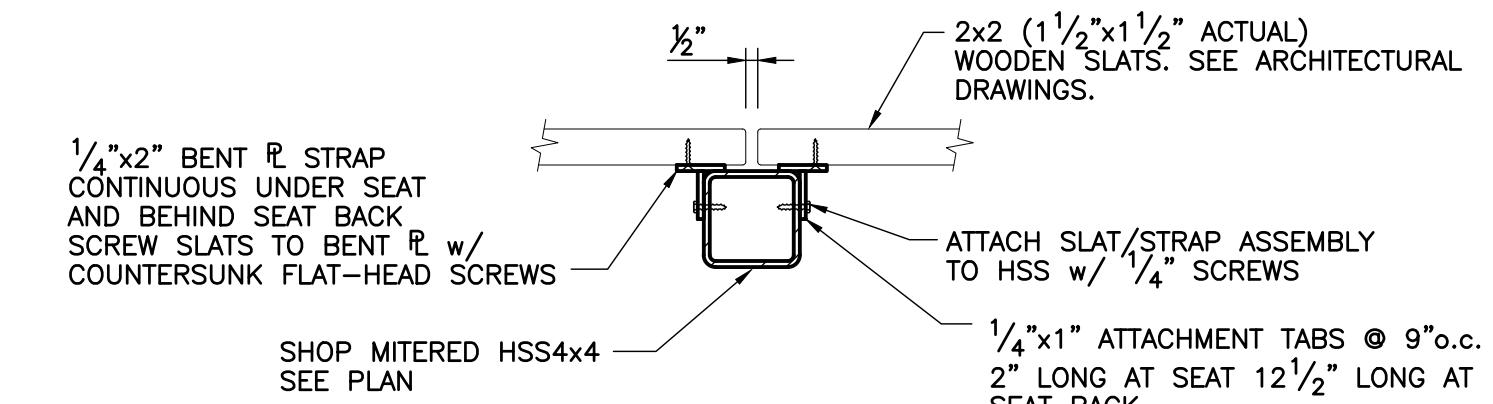


**1 STRUCTURAL MODIFICATIONS PLAN**  
 S300 SCALE: 1/4" = 1'-0"

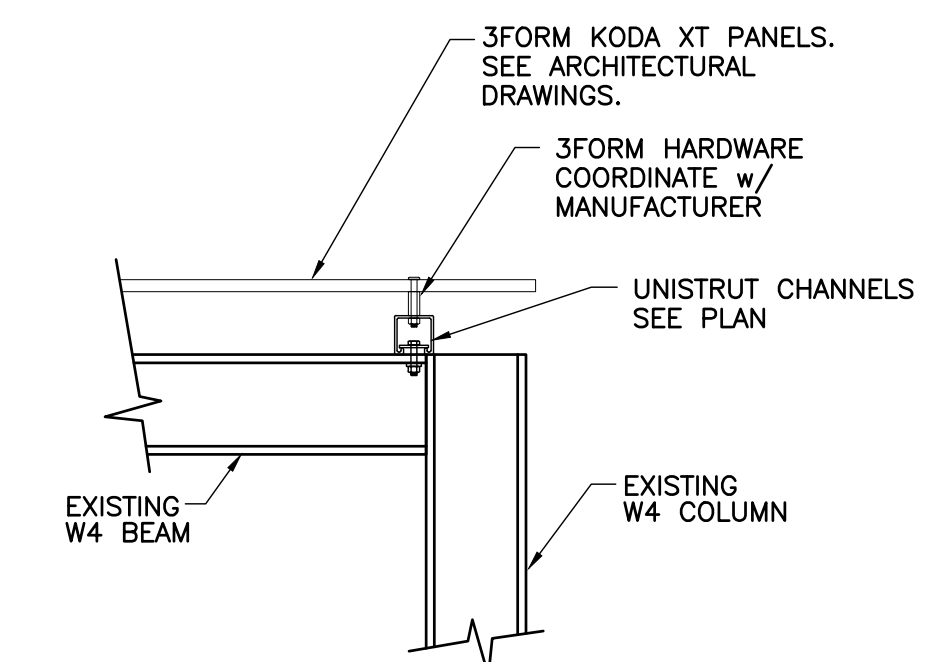
NOTE:  
 EXISTING STRUCTURE SEEMS TO SLOPE AWAY FROM BUILDING. FIELD VERIFY. SHIM UNISTRUT IF NECESSARY TO ENSURE POSITIVE DRAINAGE AWAY FROM BUILDING.



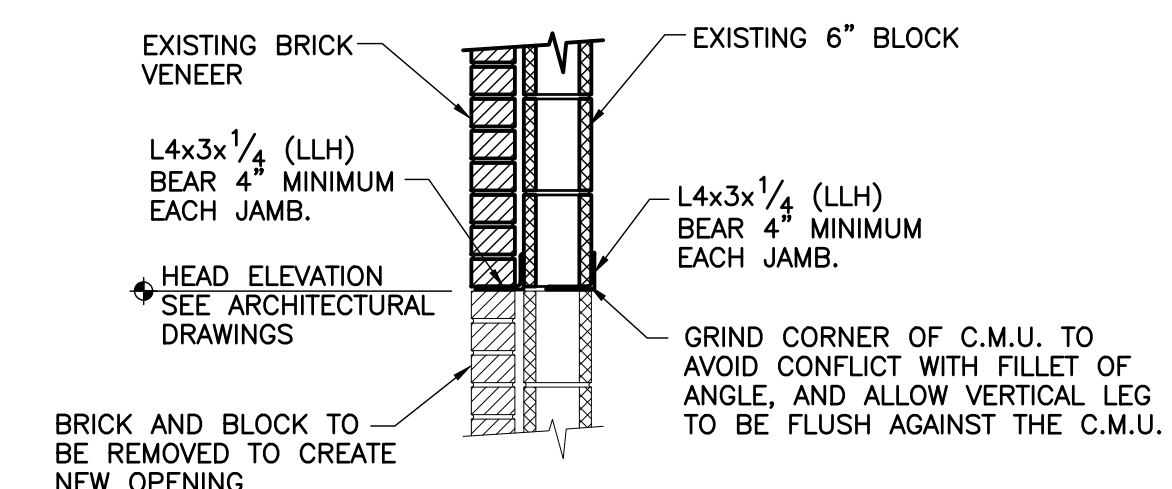
**2 SECTION AT BENCH**  
 S300 SCALE: 3/4" = 1'-0"



**3 SECTION AT BENCH**  
 S300 SCALE: 1 1/2" = 1'-0"

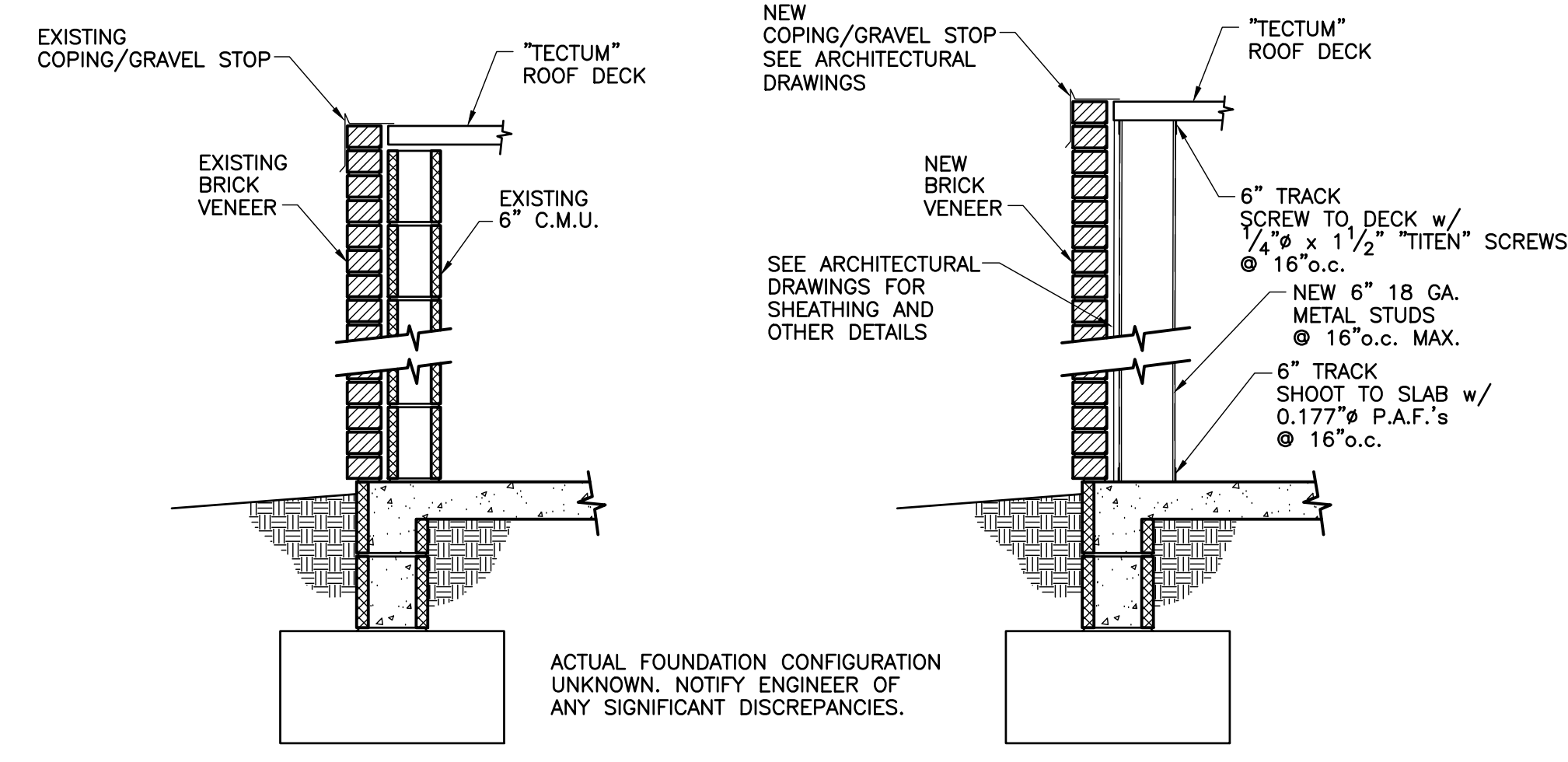


**4 SECTION AT CANOPY**  
 S300 SCALE: 1 1/2" = 1'-0"

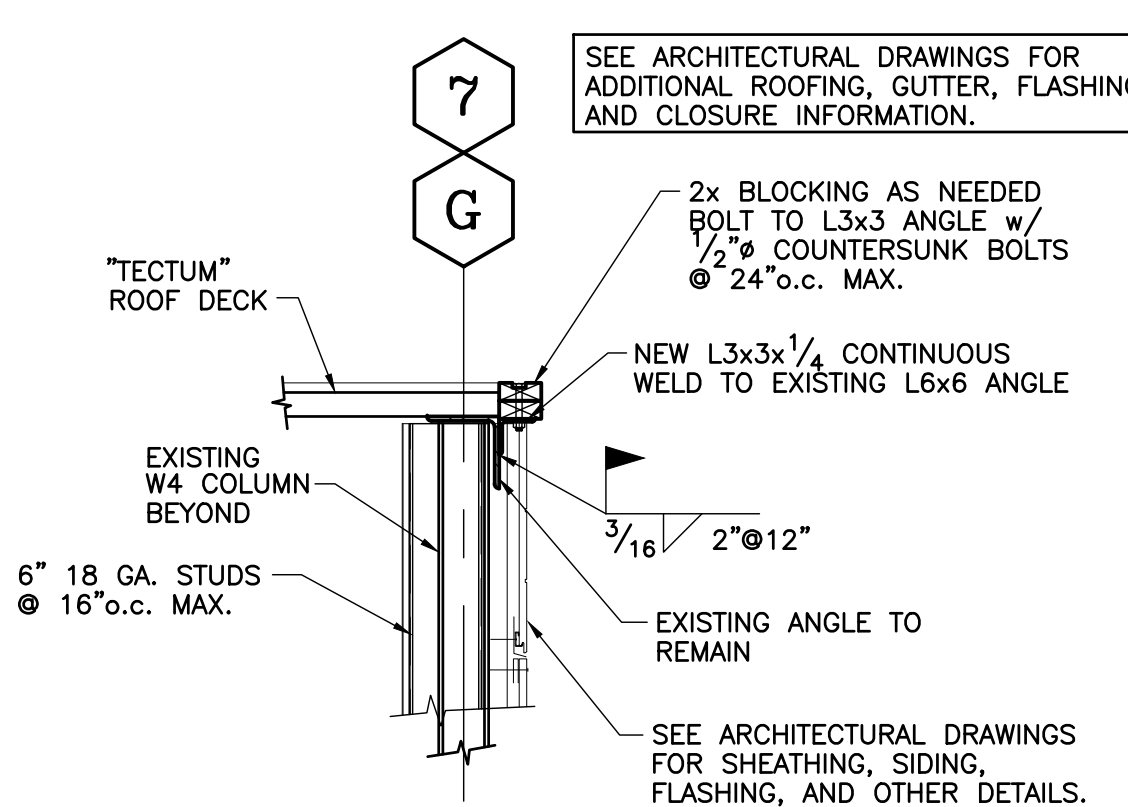


**5 SECTION AT HEAD OF NEW OPENING**  
 S300 SCALE: 3/4" = 1'-0"

SEQUENCING NOTES:  
 ALL MEANS AND METHODS ARE THE RESPONSIBILITY OF THE CONTRACTOR. THE FOLLOWING SEQUENCE IS FOR GENERAL CONCEPTS ONLY:  
 1) SAW-CUT THE HORIZONTAL BED JOINT IN THE C.M.U. AT THE OPENING HEAD ELEVATION. GRIND THE CORNER OF THE C.M.U.  
 2) HAMMER THE ANGLE INTO THE JOINT AS SHOWN.  
 3) DEMO THE MINIMUM AMOUNT OF BRICK NECESSARY ABOVE AND BELOW THE HEAD ELEVATION TO INSTALL THE BRICK ANGLE. ALLOW THE BRICK TO "CROWN", WHILE ENSURING THE SAFETY OF THE PERSONNEL.  
 4) INSTALL THE BRICK ANGLE, AND REPLACE THE BRICK ABOVE THE ANGLE.  
 5) DEMO THE OPENING BELOW THE BRICK AND C.M.U. ANGLES.



**6 SECTION AT NEW STUD WALL**  
 S300 SCALE: 3/4" = 1'-0"



**7 SECTION AT ROOF EDGE**  
 S300 SCALE: 3/4" = 1'-0"

NO.	DATE	ISSUANCE / REVISIONS