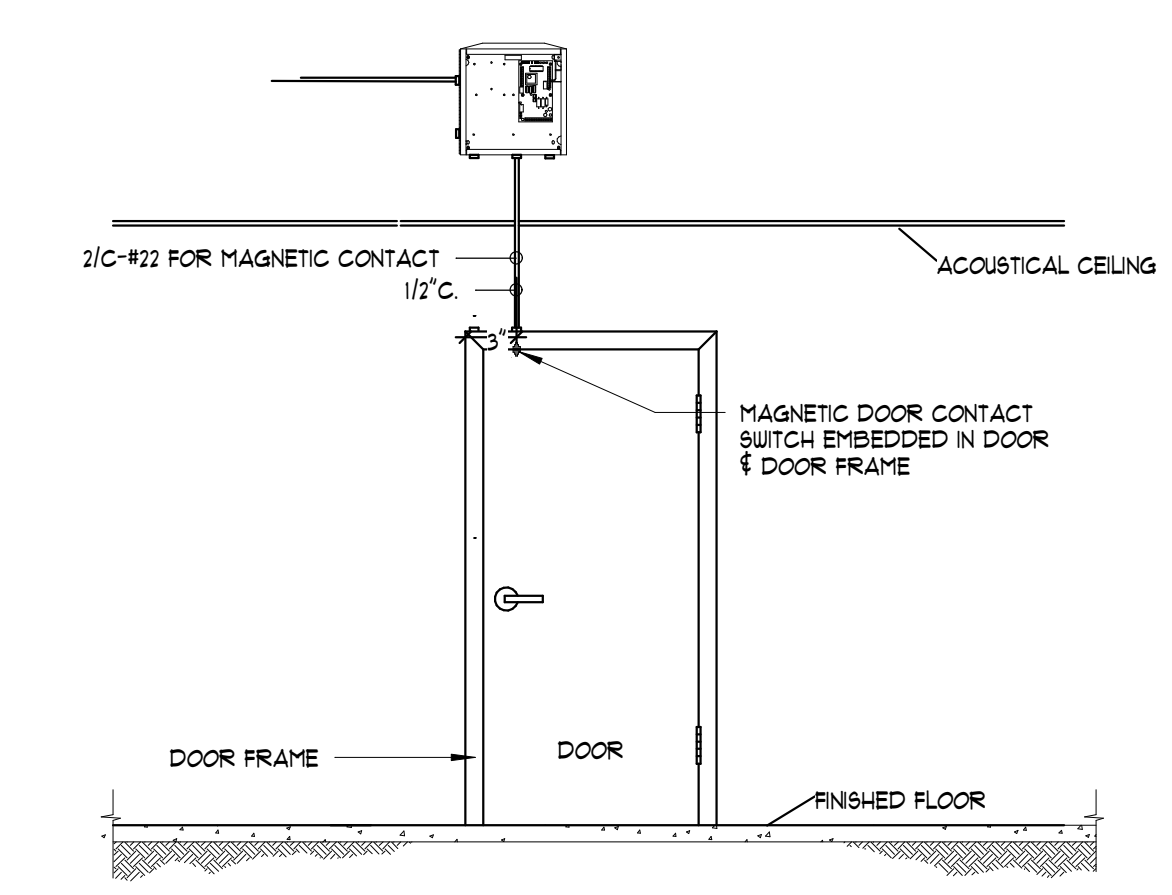
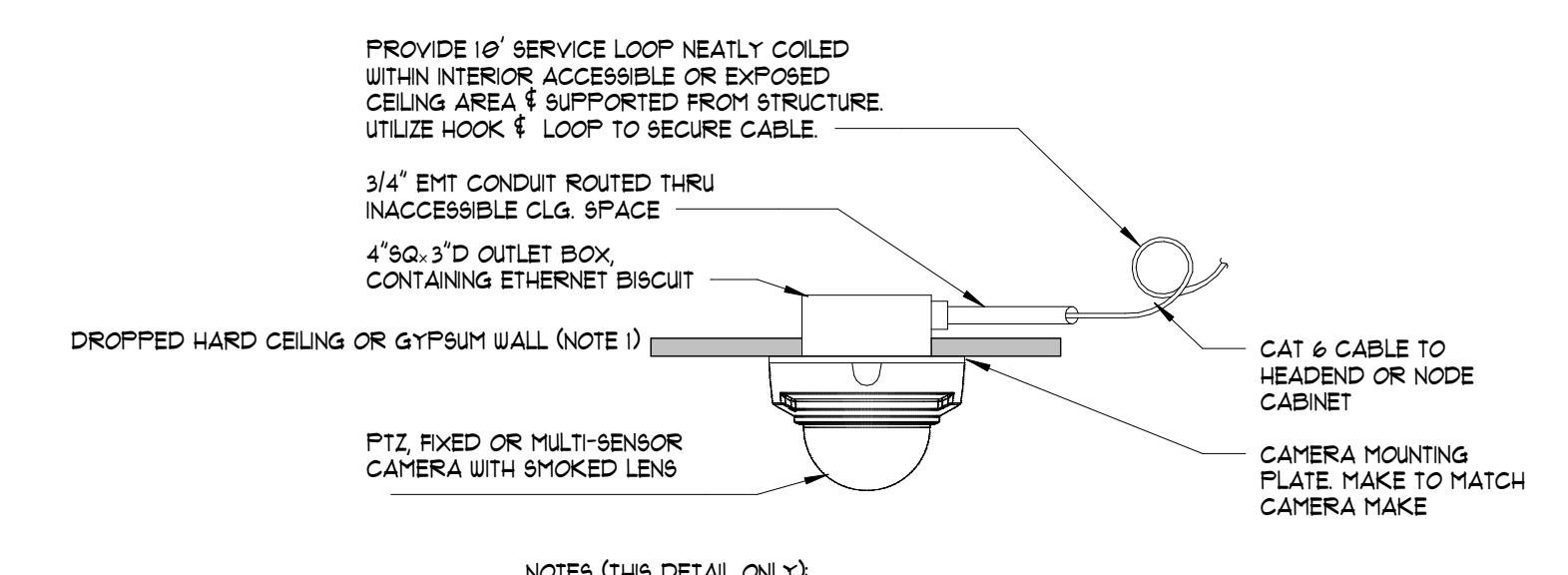


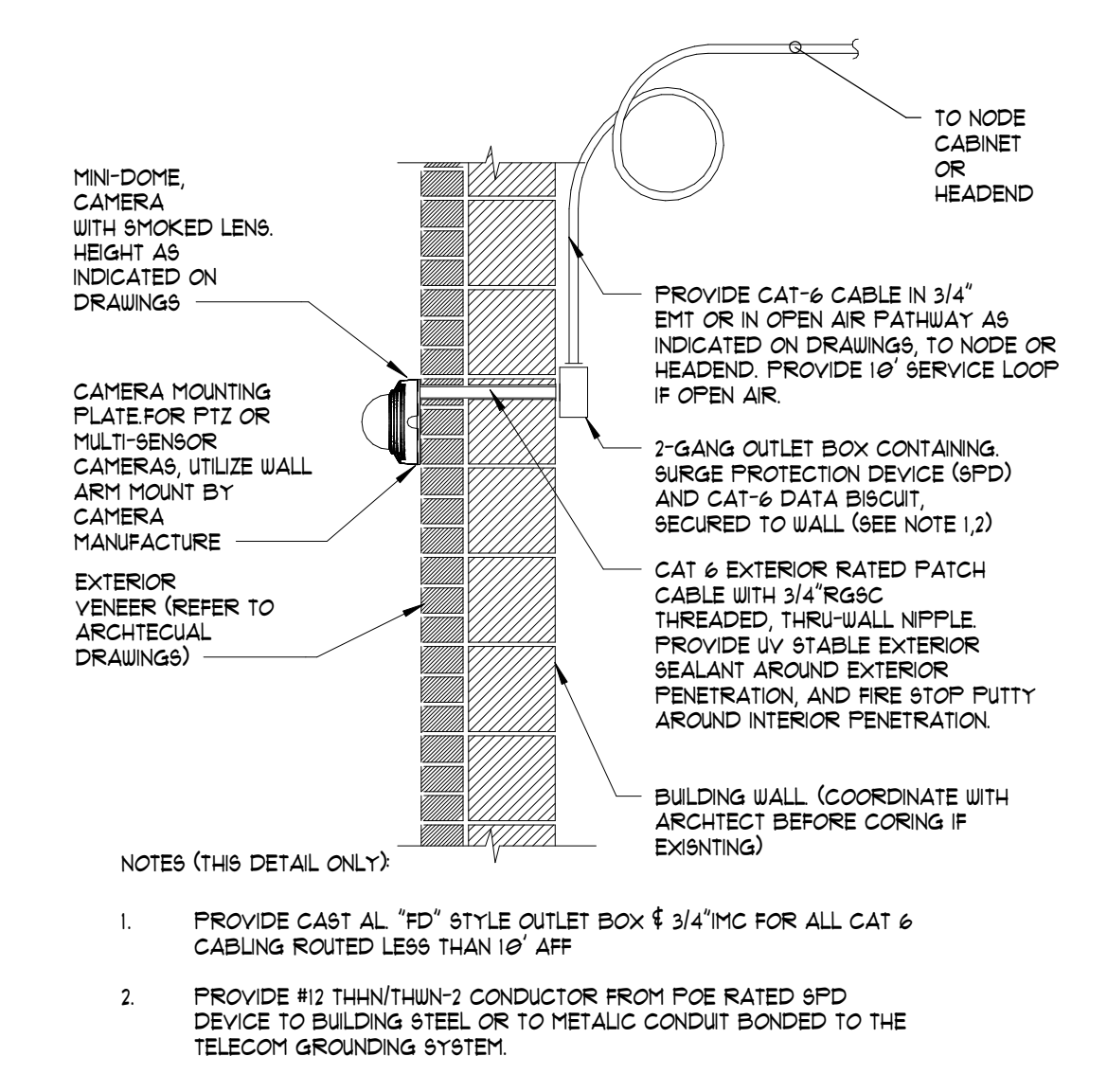
3 SECURITY DETAIL - DOUBLE DOOR WITH POSITION SWITCH
NOT TO SCALE



4 SECURITY DETAIL - SINGLE DOOR WITH POSITION SWITCH
NOT TO SCALE



1 SECURITY DETAIL - CCTV - INTERIOR RECESSED MOUNT
NOT TO SCALE



2 SECURITY DETAIL - CCTV - EXTERIOR WALL MOUNT
NOT TO SCALE

CAMERA SCHEDULE				
TAG	DETAIL	MTG. HEIGHT	CAMERA LOCATION	VIEW
C-01		CEILING	INTERIOR	FRONT ENTRANCE
C-02	1	CEILING	INTERIOR	REAR ENTRANCE
C-501	2	10'-0"	EXTERIOR	PLAN SOUTH
C-502	2	10'-0"	EXTERIOR	PLAN WEST
C-503	2	10'-0"	EXTERIOR	PLAN WEST
C-504	2	10'-0"	EXTERIOR	PLAN NORTH
C-505	2	10'-0"	EXTERIOR	PLAN NORTH
C-506	2	10'-0"	EXTERIOR	PLAN EAST
C-507	2	10'-0"	EXTERIOR	PLAN EAST
C-508	2	10'-0"	EXTERIOR	PLAN SOUTH

COPYRIGHT © 2025 CAS ARCHITECTURE P.C. ALL RIGHTS RESERVED. THIS DOCUMENT AND ANY REPRODUCTIONS IN WHOLE OR IN PART, ARE INSTRUMENTS OF SERVICE AND ARE THE SOLE PROPERTY AND COPYRIGHT OF CAS ARCHITECTURE P.C. AND MAY NOT BE REPRODUCED, PUBLISHED, USED OR COPIED IN ANY MANNER WITHOUT WRITTEN PERMISSION FROM CAS ARCHITECTURE P.C. THESE DOCUMENTS HAVE BEEN PREPARED SPECIFICALLY FOR THIS PROJECT. THEY ARE NOT SUITABLE FOR USE ON OTHER PROJECTS OR IN OTHER LOCATIONS.

THIS DOCUMENT WAS CREATED ELECTRONICALLY. THIS MEDIA SHOULD NOT BE CONSIDERED A CERTIFIED DOCUMENT UNLESS IT HAS BEEN PROPERLY SEALED AND ORIGINALLY SIGNED BY A REGISTERED ARCHITECT OF GA ARCHITECTURE P.C.

THESE PLANS ARE COMPLEMENTARY. THEREFORE THE CONTRACTOR SHALL SEE THE ARCHITECTURAL, STRUCTURAL, MECHANICAL, PLUMBING, AND ELECTRICAL PLANS AND SPECIFICATIONS, WHICH ARE REFERRED BY ANY ONE SHALL BE BINDING AS REFERRED BY ALL. THE INTENTION OF THE DOCUMENTS IS TO INCLUDE ALL LABOR, MATERIALS, EQUIPMENT AND OTHER ITEMS NECESSARY FOR THE PROPER EXECUTION AND COMPLETION OF THE WORK. THE CONTRACTOR SHALL BE RESPONSIBLE FOR THE COORDINATION OF THE WORK OF ALL TRADES.

NO.	DATE	ISSUANCE / REVISIONS
1000	03/20/2026	ISSUE FOR PERMIT
2000	03/20/2026	ISSUE FOR CONSTRUCTION DOCUMENTS
3000	03/20/2026	ISSUE FOR PERMIT AND BIDDING

SHEET TITLE
SECURITY - DETAILS

SHEET NUMBER

LV610

PROJECT: 25114 DATE: 03/20/2026 DRAWN: CWB

FILE