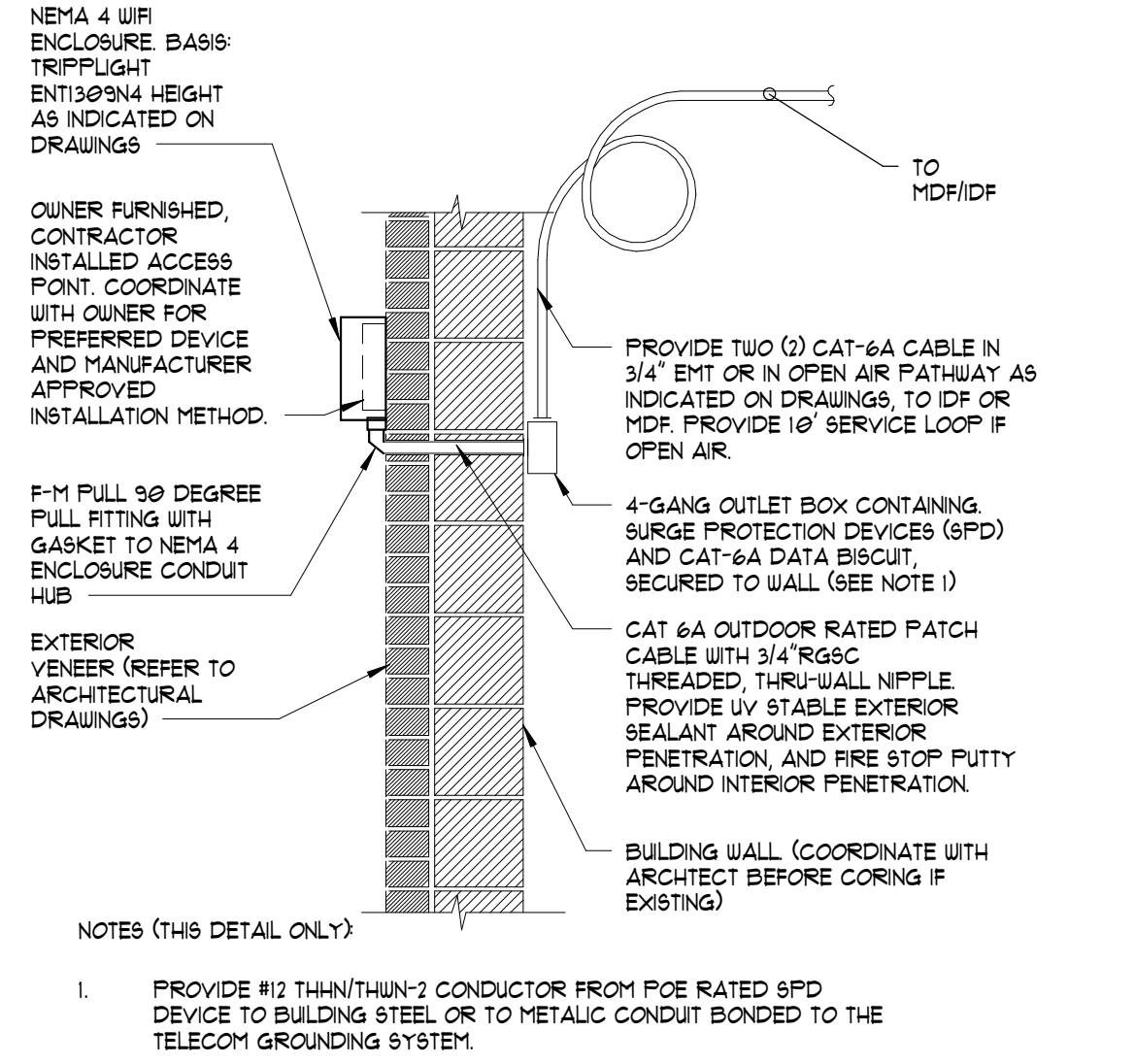
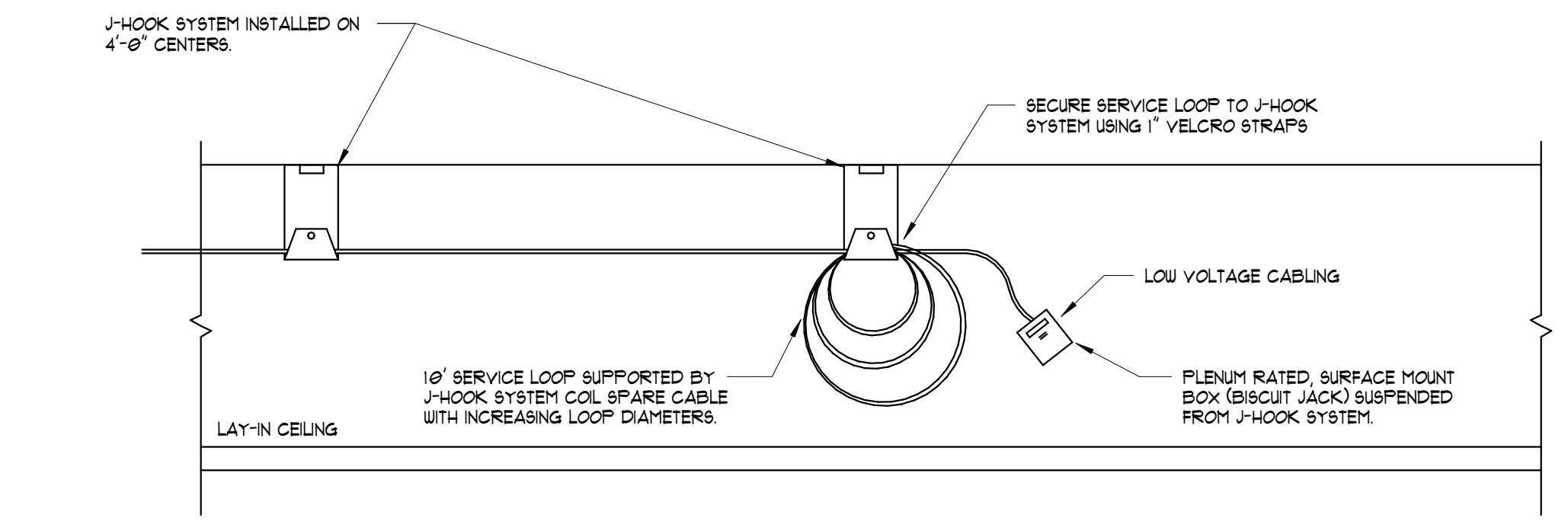
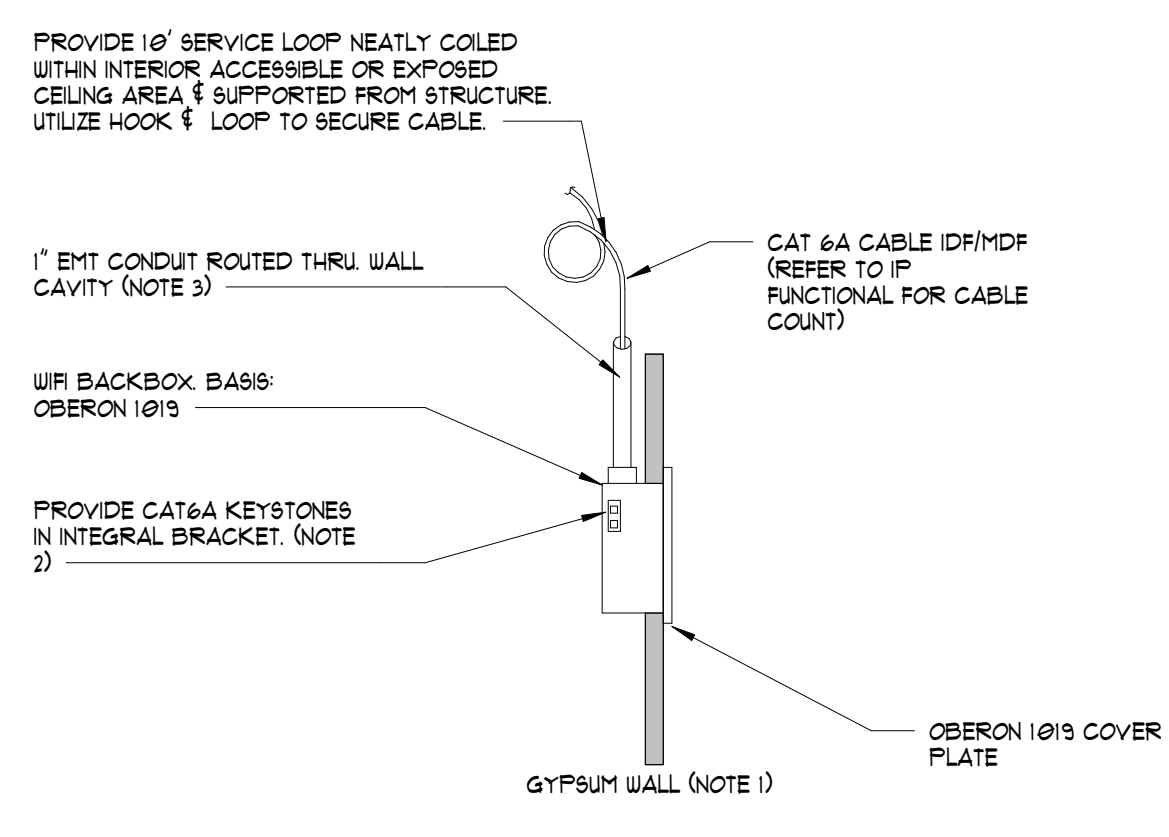


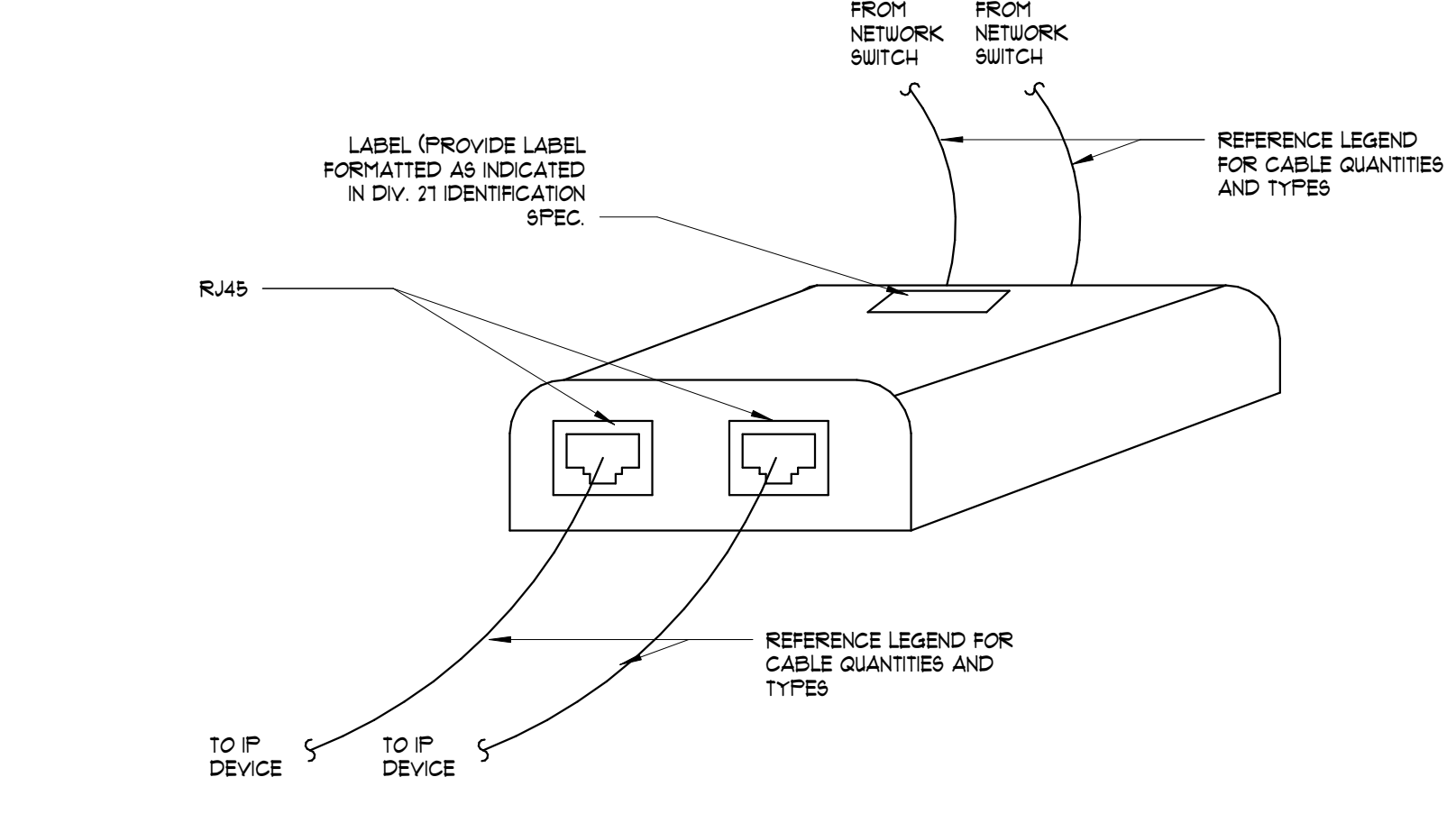
**5 TELECOM DETAIL - WIFI - PENDANT MOUNT**  
NOT TO SCALE



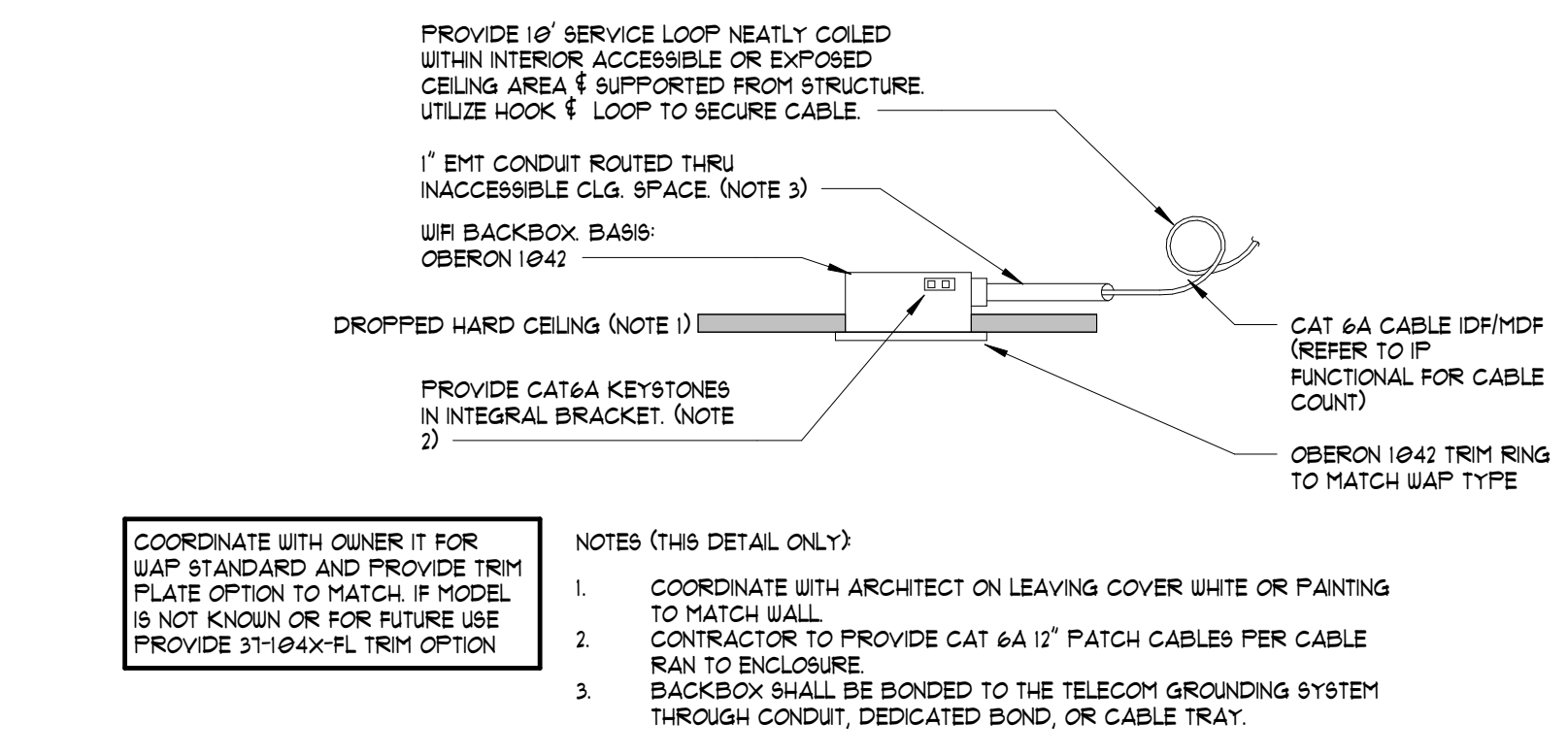
**6 TELECOM DETAIL - WIFI - EXTERIOR WALL MOUNT**  
NOT TO SCALE



**1 TELECOM DETAIL - WIFI - BISCUIT JACK CABLING**  
NOT TO SCALE

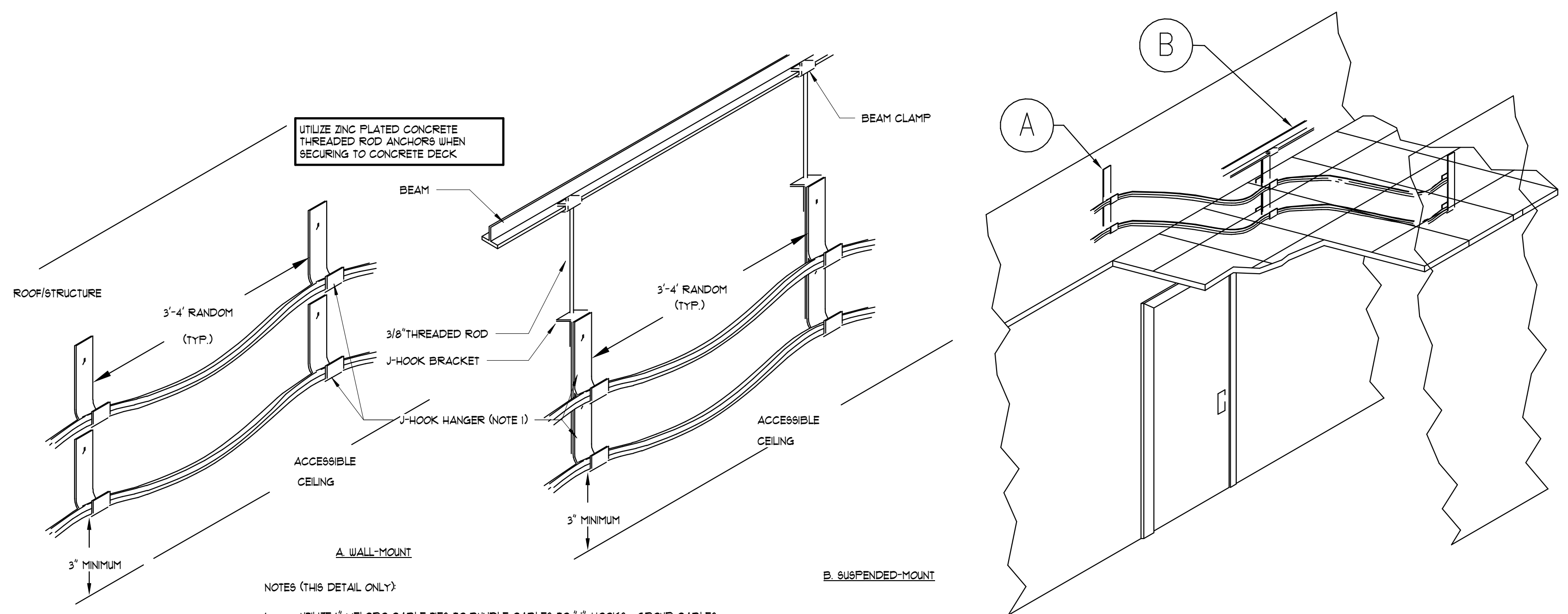


**2 TELECOM DETAIL - WIFI - WAP BISCUIT**  
NOT TO SCALE

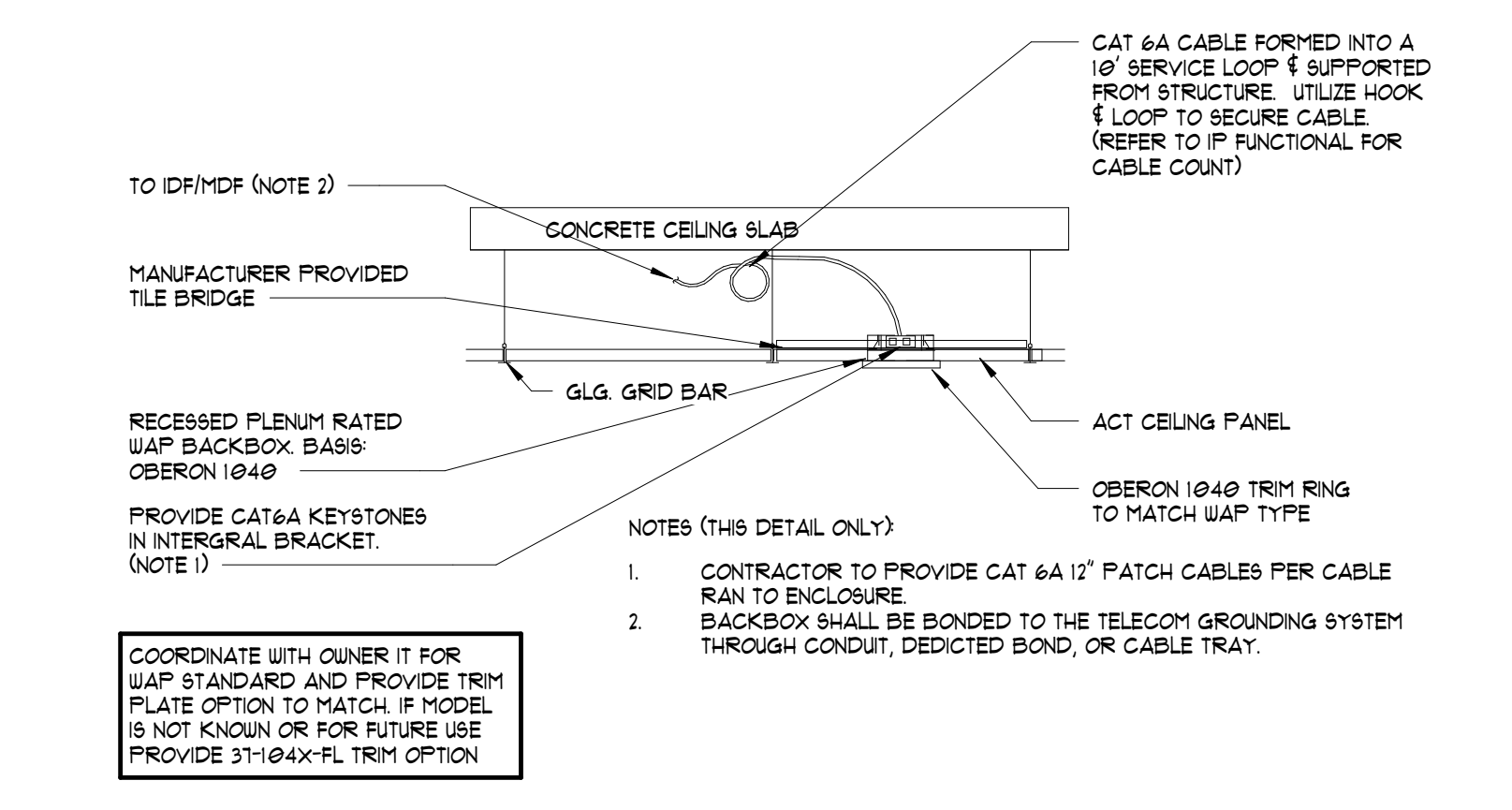


**3 TELECOM DETAIL - WIFI - HARD CEILING ENCLOSURE**  
NOT TO SCALE

**7 TELECOM DETAIL - WIFI - INTERIOR WALL MOUNT**  
NOT TO SCALE



**8 TELECOM DETAIL - PATHWAYS - J-HOOK INSTALLATION**  
NOT TO SCALE



**4 TELECOM DETAIL - WIFI - ACT. CEILING ENCLOSURE**  
NOT TO SCALE

ARCHITECT  
CAS Architecture  
183 N Perry St  
Lawrenceville, GA  
30046  
404.806.0556  
www.casarc.com

CONSULTANT  
**CONWAY & OWEN**  
Consulting Engineers - MEP/ELECTRICAL  
1418 Westwood Lakes Parkway  
Atlanta, GA 30338  
404.253.8888  
www.conway-owen.com

SEAL  
REGISTERED PROFESSIONAL ENGINEER  
No. PE00886  
CHARLES E. OWEN  
3/20/2016

IF SEALED, DO NOT COPY

PROJECT

**COLLINS P. LEE MEMORIAL LIBRARY**  
237 HARRISBURG RD SW, MILLEDGEVILLE, GA 31061

COPYRIGHT © 2025 CAS ARCHITECTURE, P.C. ALL RIGHTS RESERVED. THIS DOCUMENT AND ANY REPRODUCTIONS IN WHOLE OR IN PART, ARE INSTRUMENTS OF SERVICE AND ARE THE SOLE PROPERTY AND COPYRIGHT OF CAS ARCHITECTURE, P.C. AND MAY NOT BE REPRODUCED, COPIED, OR TRANSMITTED IN ANY MANNER WITHOUT WRITTEN PERMISSION FROM CAS ARCHITECTURE, P.C. THESE DOCUMENTS HAVE BEEN PREPARED SPECIFICALLY FOR THIS PROJECT. THEY ARE NOT SUITABLE FOR USE ON OTHER PROJECTS OR IN OTHER LOCATIONS.

THIS DOCUMENT WAS CREATED ELECTRONICALLY. THIS MEDIA SHOULD NOT BE CONSIDERED A CERTIFIED DOCUMENT UNLESS IT HAS BEEN PROPERLY SEALED AND ORIGINALLY SIGNED BY A REGISTERED ARCHITECT OF GA ARCHITECTURE, P.C.

THESE PLANS ARE COMPLEMENTARY. THEREFORE THE CONTRACTOR SHALL SEE THE ARCHITECTURAL, STRUCTURAL, MECHANICAL, PLUMBING, AND ELECTRICAL PLANS AND SPECIFICATIONS, WHICH ARE REFERRED BY ANY ONE SHALL BE BINDING AS REQUIRED BY ALL THE INTENTION OF THE DOCUMENTS TO BE USED. ALL LABOR, MATERIALS, EQUIPMENT AND OTHER ITEMS NECESSARY FOR THE PROPER EXECUTION AND COMPLETION OF THE WORK, THE CONTRACTOR SHALL BE RESPONSIBLE FOR THE COORDINATION OF THE WORK OF ALL TRADES.

NO.	DATE	ISSUANCE / REVISIONS
1	03/20/2026	ISSUE FOR PERMIT AND BIDDING
2	03/20/2026	ISSUE FOR PERMIT AND BIDDING
3	03/20/2026	ISSUE FOR PERMIT AND BIDDING
4	03/20/2026	ISSUE FOR PERMIT AND BIDDING

SHEET TITLE  
TELECOM - WIFI - DETAILS

SHEET NUMBER  
**LV630**

PROJECT  
25114

DATE  
03/20/2026

DRAWN  
CWB

FILE