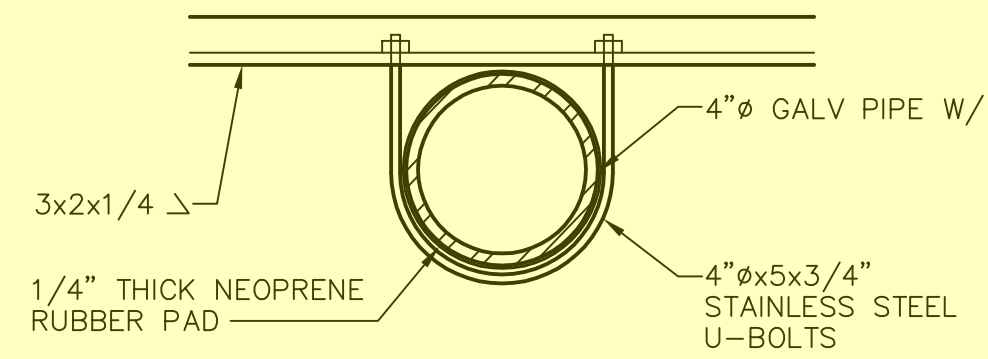
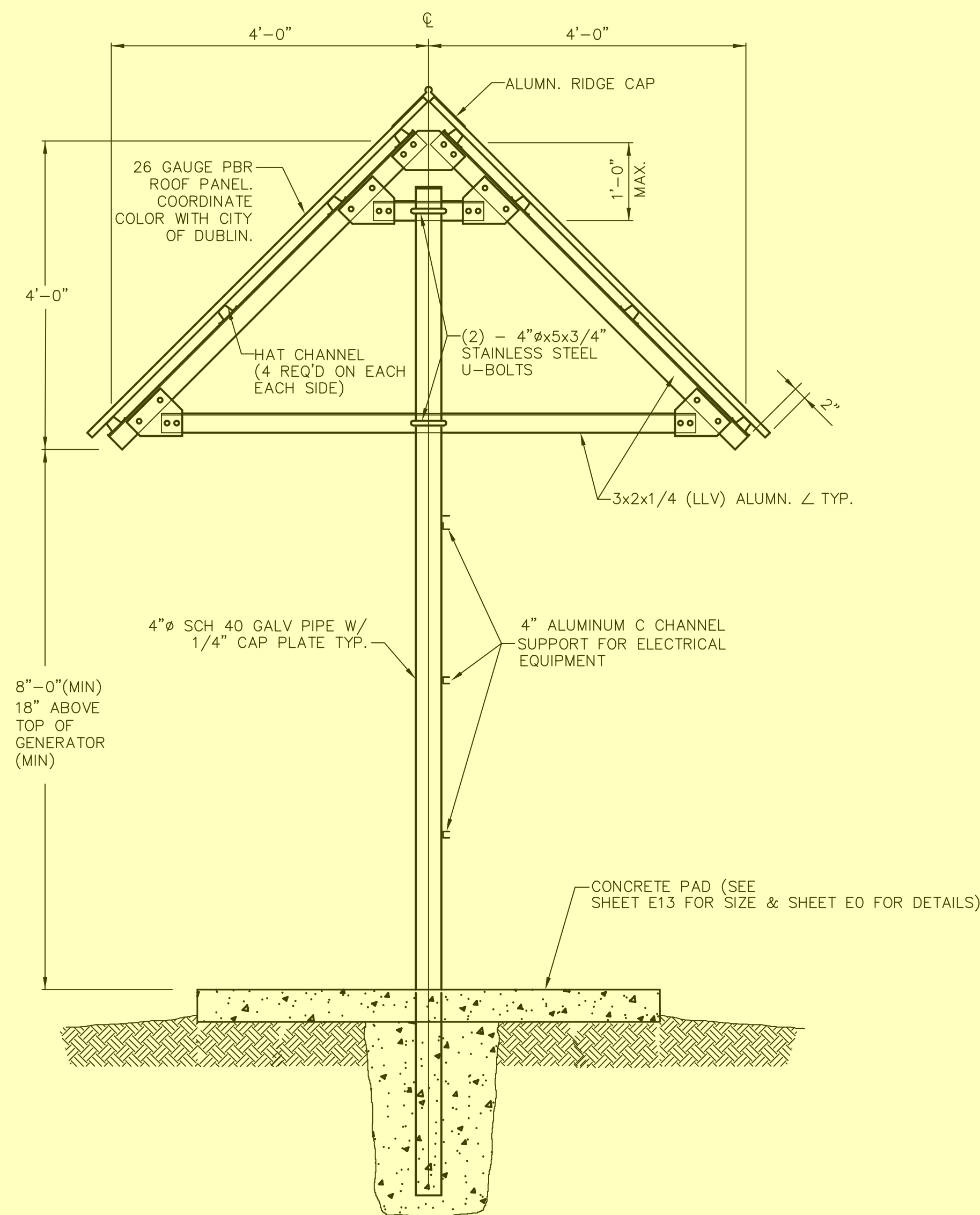


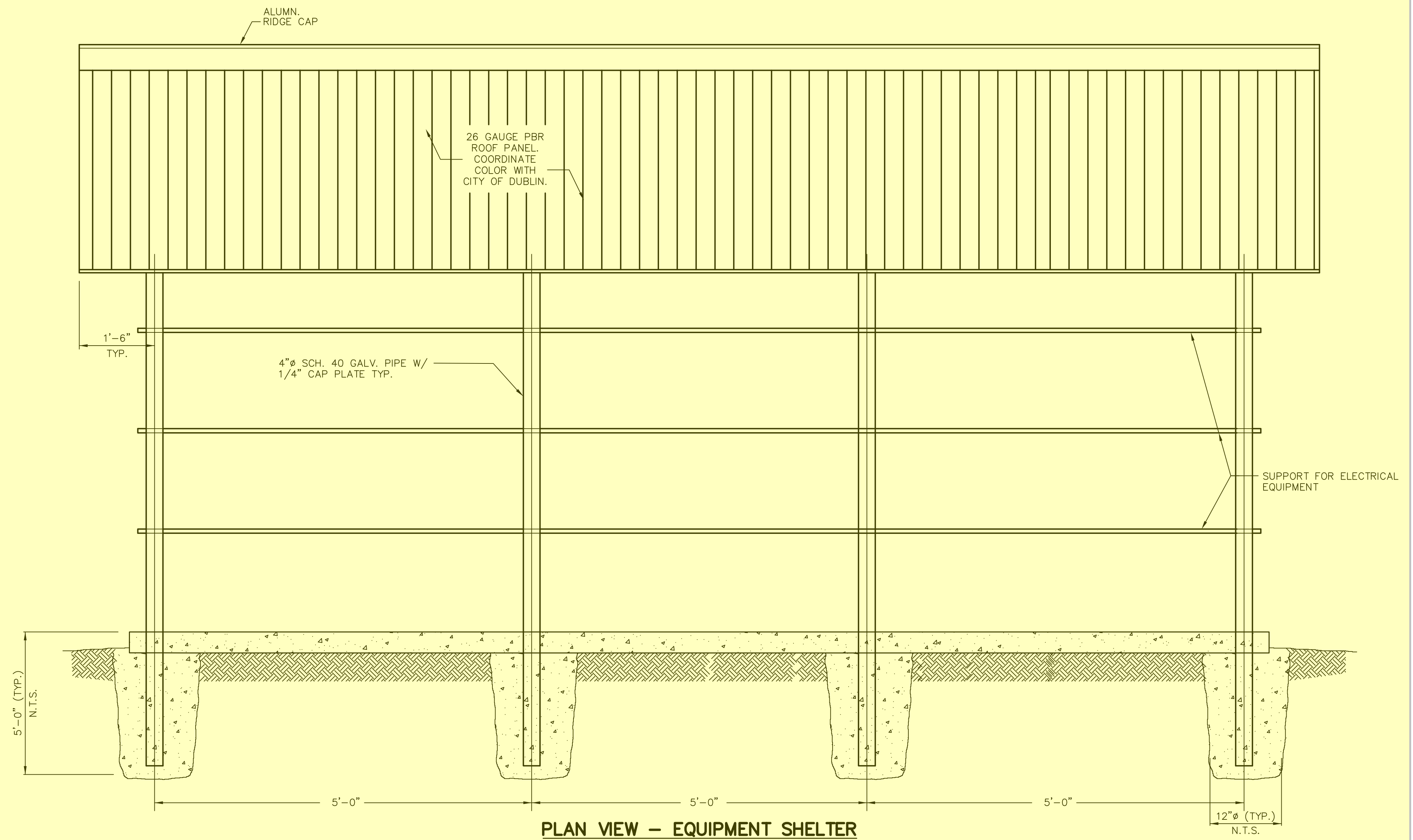
GUSSET PL. DETAIL
N.T.S.



TYPICAL CONNECTION DETAIL @ POST
SCALE: N.T.S.

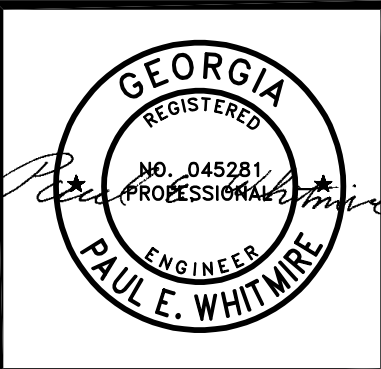


SIDE ELEVATION - EQUIPMENT SHELTER
SCALE: N.T.S.



PLAN VIEW - EQUIPMENT SHELTER
SCALE: N.T.S.

REVISION	ITEM	DATE



SURFACE WATER TREATMENT PLANT CANOPY STRUCTURAL DETAILS

590 MEANS STREET NW
STE. 200
ATLANTA, GA 30318

TOLAND MIZELL MOLNAR

FIXED AND PORTABLE GENERATOR INSTALLATIONS

JOB NO:	TMM 2507
DATE:	02-06-26
DRAWN:	FSD
CHECKED:	PEW
APPROVED:	RBP
SCALE:	AS NOTED

SHEET
S1