



ARCHITECT

CONSULTANT

PLAN DETAILS

New Facility
Hampton Travel Center
Hwy 81 / Parcel # 019-02031002 Hampton, Georgia 30253

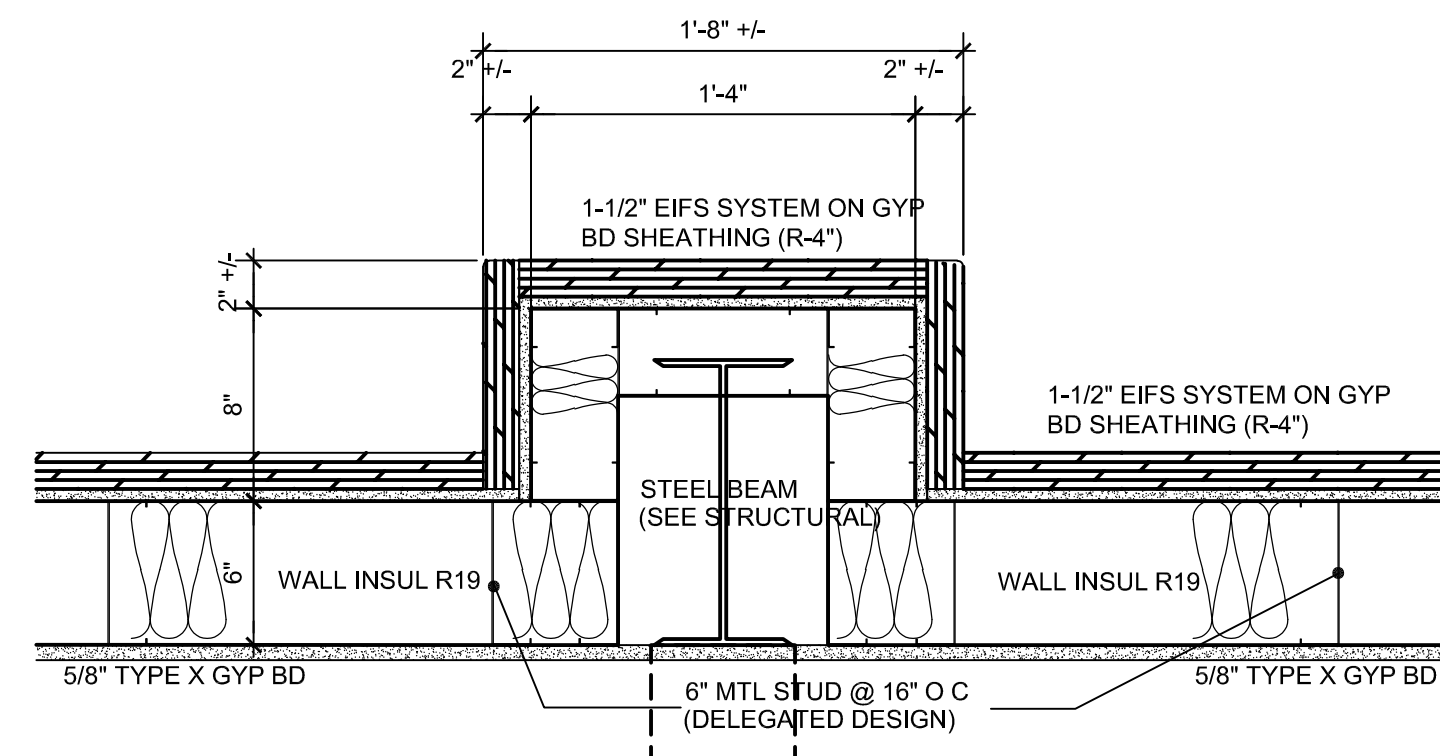
JOB NO.:	02511
DRAWN BY:	GM
CHECKED BY:	GM
DESCRIPTION:	SCH-REVIEW
DATE:	00.00.25
DESCRIPTION:	DD-REVIEW
DATE:	00.00.25
DESCRIPTION:	CD-REVIEW
DATE:	01.12.26
DESCRIPTION:	BID-CONST
DATE:	00.00.26
REVISIONS:	
1	03.13.26
2	
3	
4	
5	
6	
7	

THESE DRAWINGS ARE THE PROPERTY OF GM ARCHITECT AND ARE NOT TO BE REPRODUCED OR REUSED WITHOUT PERMISSION AND CREDIT.
COPYRIGHT © 2025

SHEET

A5.1

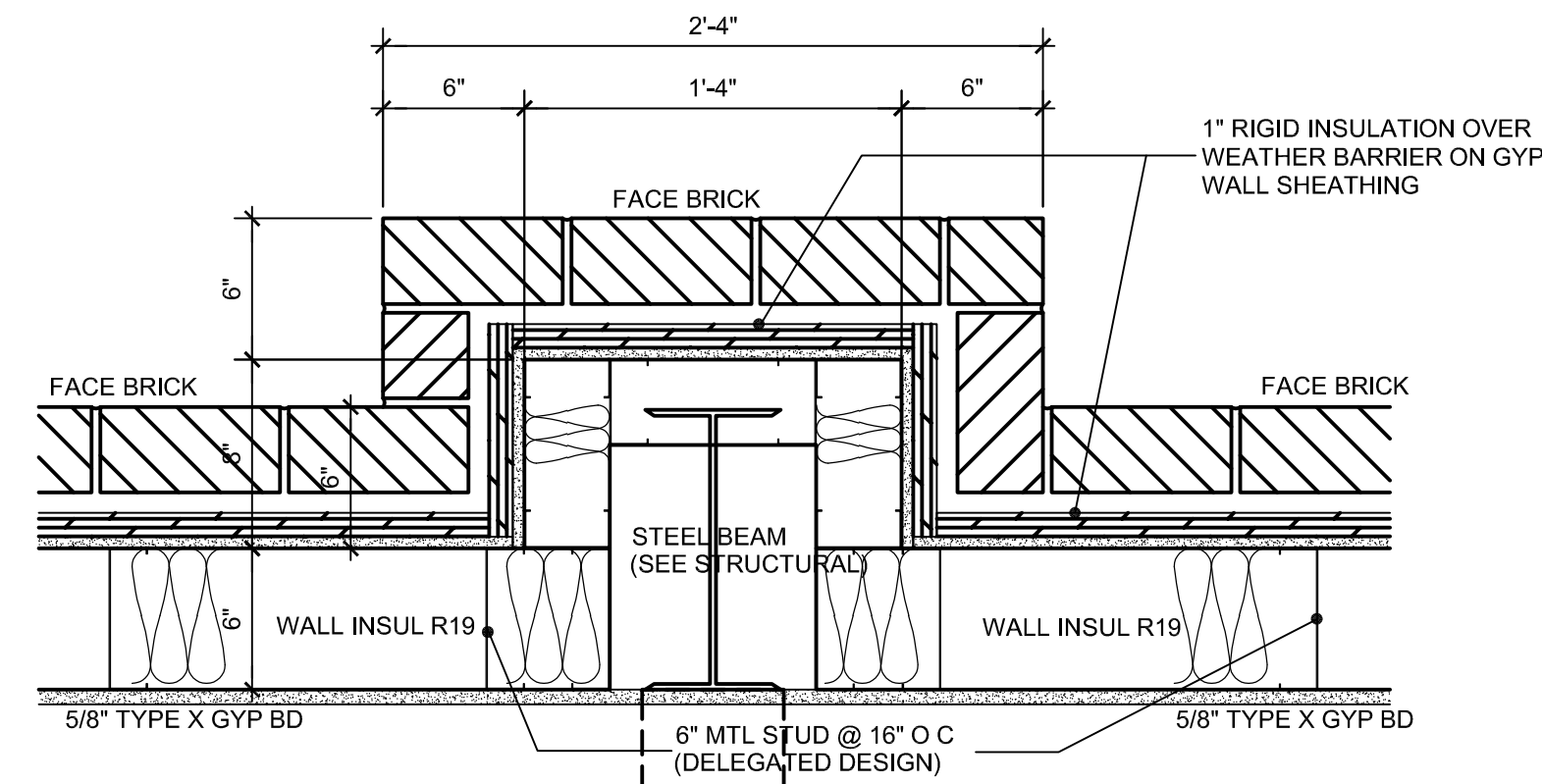
OF



A1 PLAN DETAIL: ABOVE BRICK SILL

A5.1

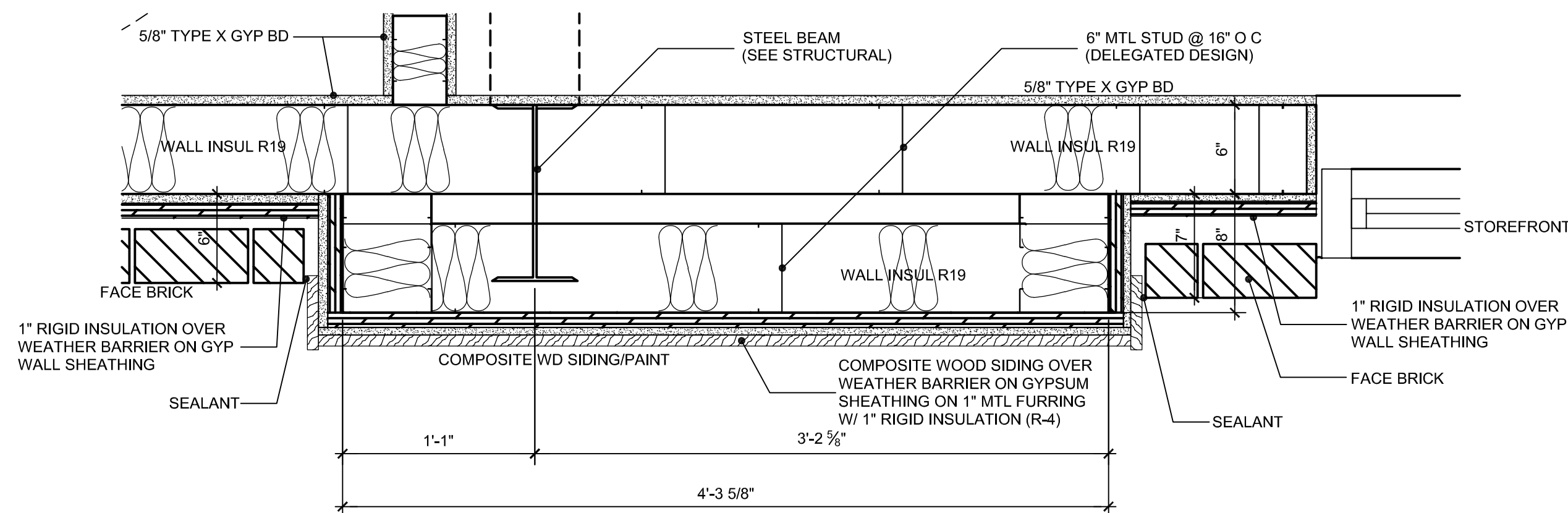
SCALE: 1 1/2"=1'-0"



B1 PLAN DETAIL: BELOW BRICK SILL

A5.1

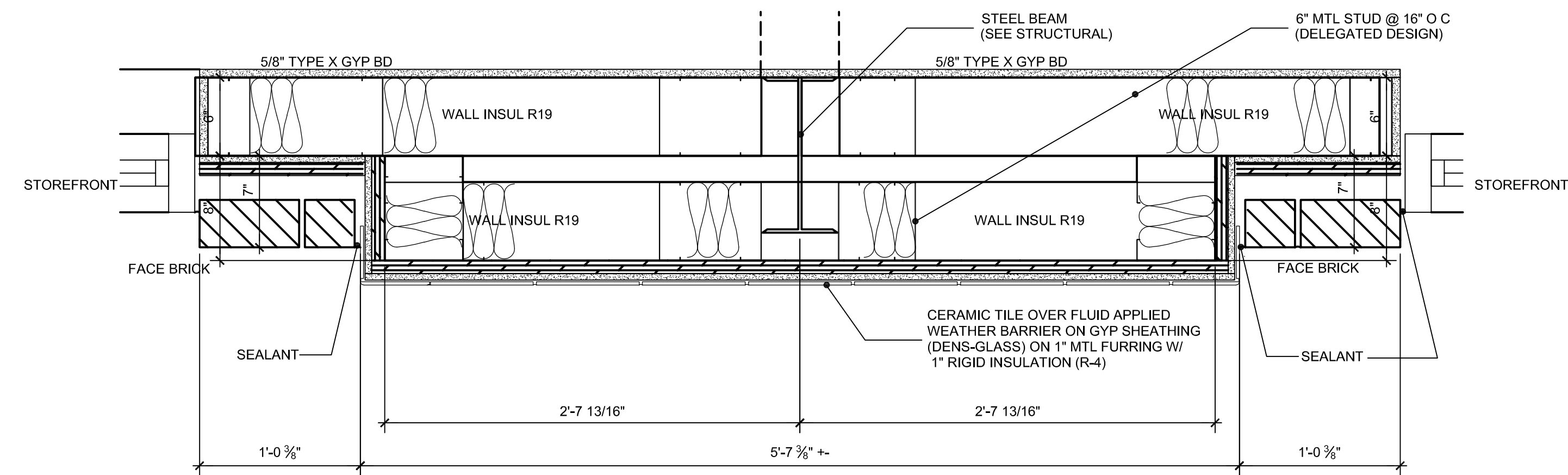
SCALE: 1 1/2"=1'-0"



C1 PLAN DETAIL: ABOVE BRICK SILL

A5.1

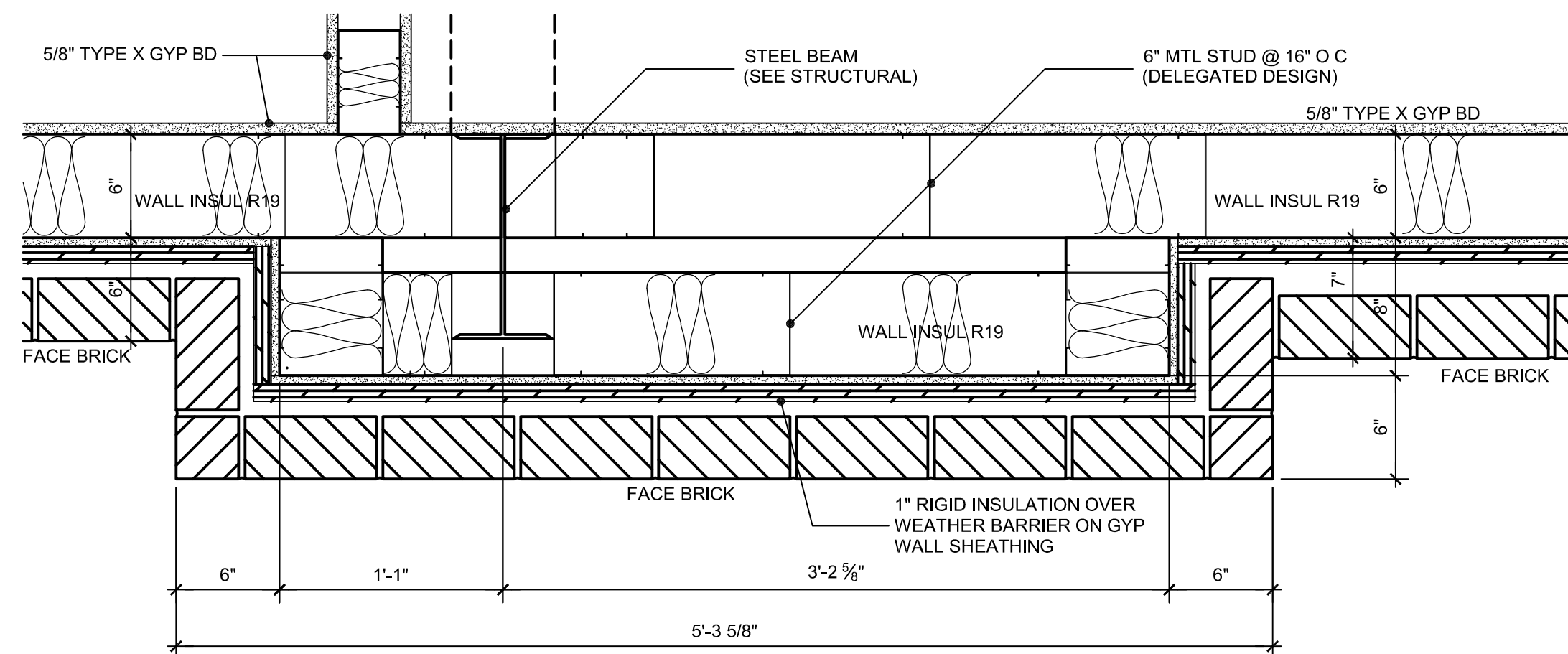
SCALE: 1 1/2"=1'-0"



C4 PLAN DETAIL: ABOVE BRICK SILL

A5.1

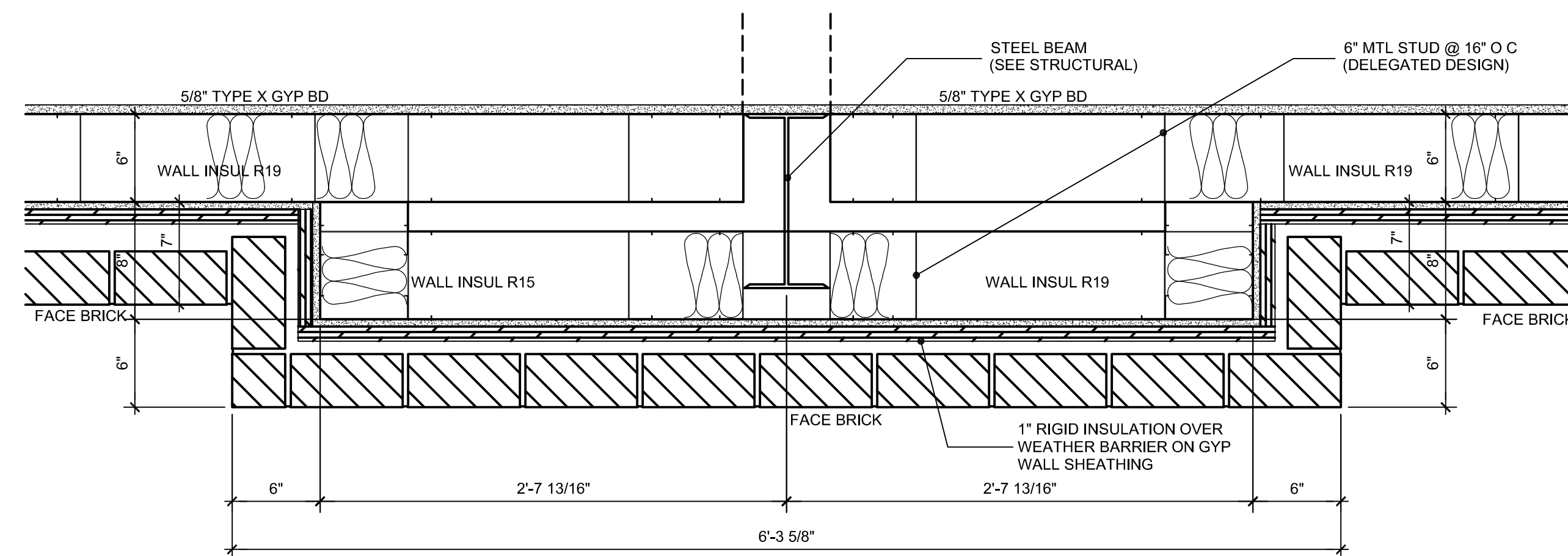
SCALE: 1 1/2"=1'-0"



D1 PLAN DETAIL: BELOW BRICK SILL

A5.1

SCALE: 1 1/2"=1'-0"



D4 PLAN DETAIL: BELOW BRICK SILL

A5.1

SCALE: 1 1/2"=1'-0"