



ARCHITECT

CONSULTANT

FIRE RATED ASSEMBLY DETAILS

# New Facility

## Hampton Travel Center

Hwy 81 / Parcel # 019-02031002 Hampton, Georgia 30253

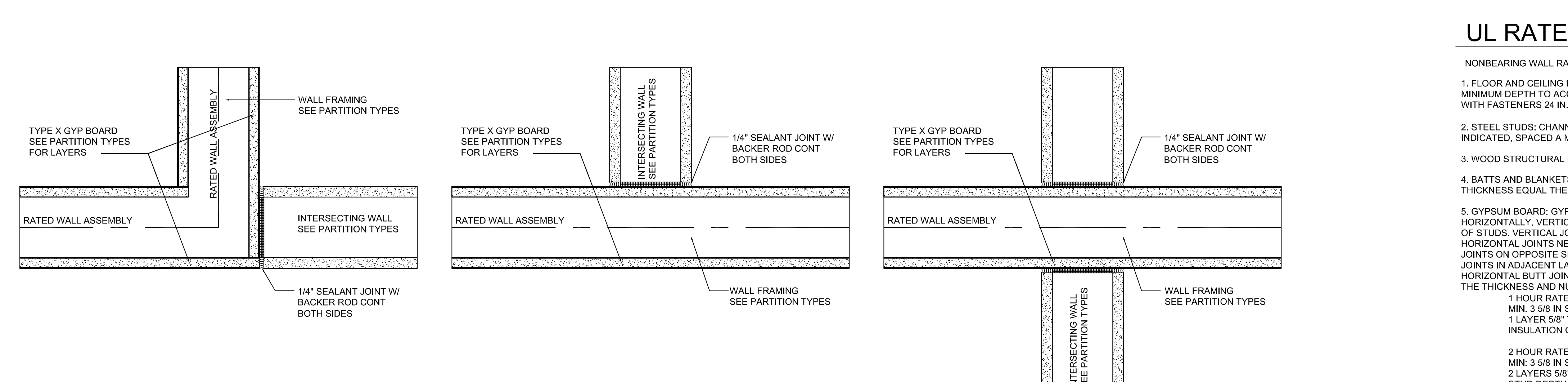
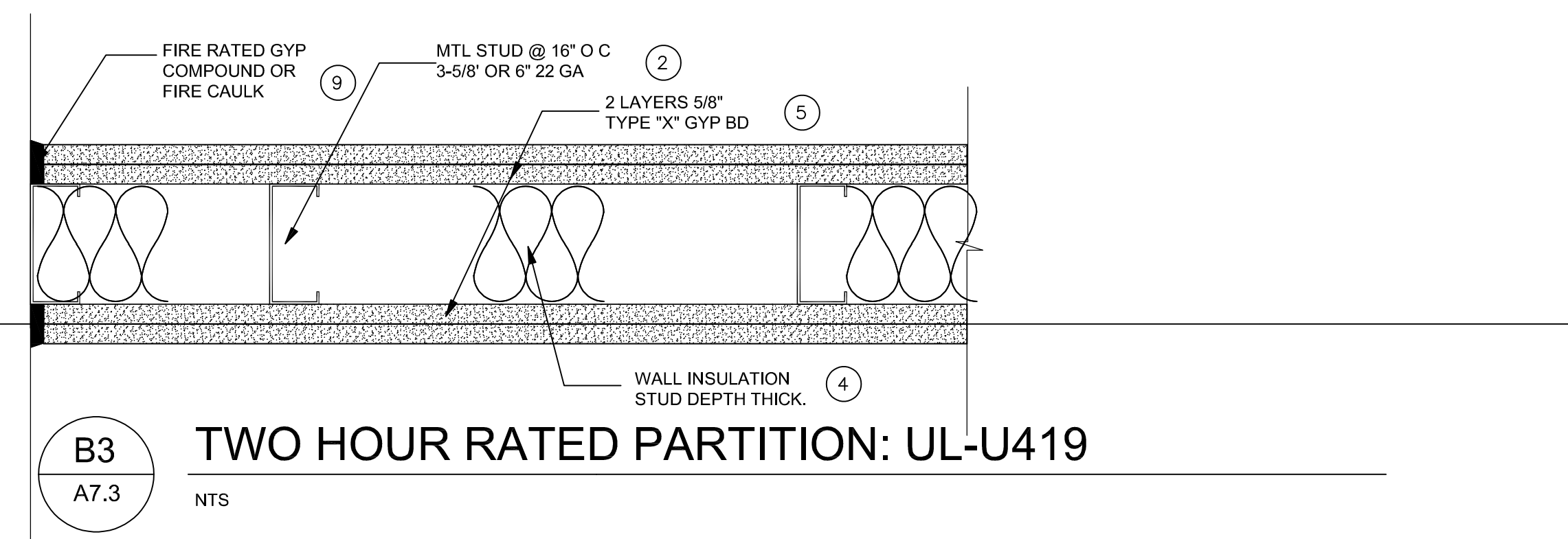
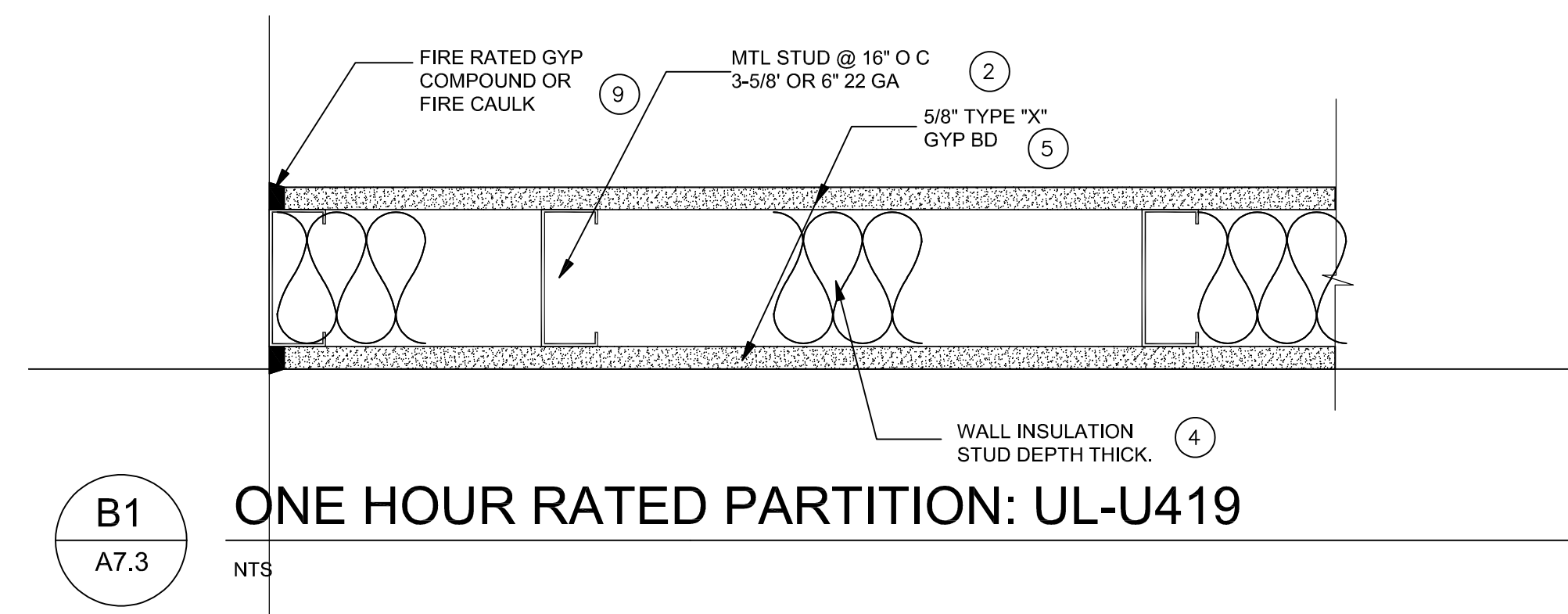
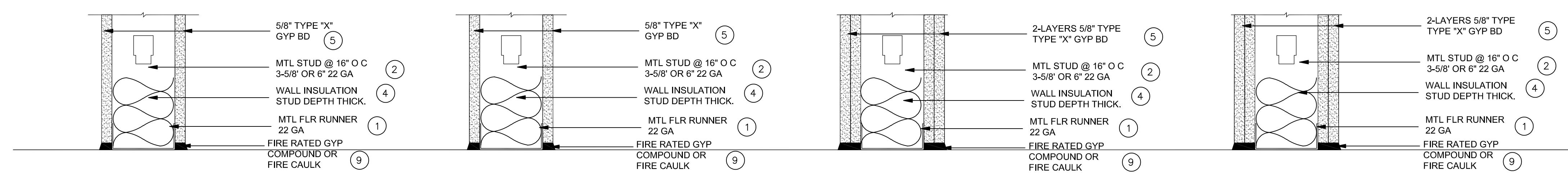
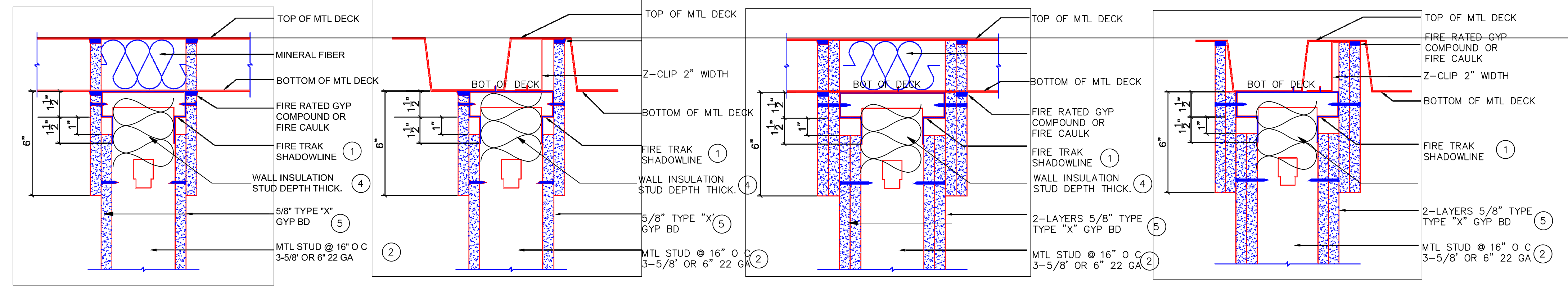
JOB NO.:	02511
DRAWN BY:	GM
CHECKED BY:	GM
DESCRIPTION:	SCH-REVIEW
DATE:	00.00.25
DESCRIPTION:	DD-REVIEW
DATE:	00.00.25
DESCRIPTION:	CD-REVIEW
DATE:	01.12.26
DESCRIPTION:	BID-CONST
DATE:	00.00.26
REVISIONS:	
1	03.13.26
2	
3	
4	
5	
6	
7	

THESE DRAWINGS ARE THE PROPERTY OF GM ARCHITECT AND ARE NOT TO BE REPRODUCED OR REUSED WITHOUT PERMISSION AND CREDIT.  
COPYRIGHT © 2025

SHEET

**A7.3**

OF



**C1 DETAILS: RATED WALL INTERSECTIONS**  
A7.3 SCALE: NTS

**UL RATED WALL CRITERIA: DESIGN NO. U419**

- NONBEARING WALL RATINGS — 1 & 2 HOUR
- FLOOR AND CEILING RUNNERS: CHANNEL SHAPED, FABRICATED FROM MIN 25 MSG CORROSION-PROTECTED STEEL. MINIMUM DEPTH TO ACCOMODATE STUD SIZE, WITH MIN 1/4 IN. LONG LEGS, ATTACHED TO FLOOR AND STRUCTURE WITH FASTENERS 24 IN. OC MAX.
  - STEEL STUDS: CHANNEL SHAPED, FABRICATED FROM MIN 25 MSG CORROSION-PROTECTED STEEL. MIN DEPTH AS INDICATED, SPACED A MAX 16 IN. OC. STUDS TO BE 3/8 IN. TO 3/4 IN. LESS THAN ASSEMBLY HEIGHT.
  - WOOD STRUCTURAL PANEL SHEATHING: NOT REQUIRED.
  - BATTS AND BLANKETS: MINERAL WOOL BATTS, FRICTION FITTED BETWEEN STUDS AND RUNNERS. MIN. NOMINAL THICKNESS EQUAL THE STUD DEPTH.
  - GYP SUM BOARD: GYP SUM PANELS WITH BEVELED, SQUARE OF TAPERED EDGES, APPLIED VERTICALLY OR HORIZONTALLY. VERTICAL JOINTS CENTERED OVER STUDS AND STAGGERED ONE STUD CAVITY ON OPPOSITE SIDES OF STUDS. VERTICAL JOINTS IN ADJACENT LAYERS (MULTILAYER SYSTEMS) STAGGERED ONE STUD CAVITY. HORIZONTAL JOINTS NEED NOT BE BACKED BY STEEL FRAMING. HORIZONTAL EDGE JOINTS AND HORIZONTAL BUTT JOINTS ON OPPOSITE SIDES OF STUDS NEED NOT BE STAGGERED. HORIZONTAL EDGE JOINTS AND HORIZONTAL BUTT JOINTS IN ADJACENT LAYERS (MULTILAYER SYSTEMS) STAGGERED A MIN. OF 12 IN. HORIZONTAL EDGE JOINTS AND HORIZONTAL BUTT JOINTS IN ADJACENT LAYERS (MULTILAYER SYSTEMS) WITH TYPE ULIX NEED NOT BE STAGGERED. THE THICKNESS AND NUMBER OF LAYERS OF THE 1 HR AND 2 HR RATINGS ARE AS FOLLOWS:  
 1 HOUR RATED:  
 MIN. 3 5/8 IN STUD DEPTH  
 1 LAYER 5/8" TYPE "X" GYP BD ON BOTH STUD SURFACES  
 INSULATION OPTIONAL  
 2 HOUR RATED:  
 MIN. 3 5/8 IN STUD DEPTH  
 2 LAYERS 5/8" TYPE "X" GYP BD ON BOTH STUD SURFACES  
 STUD DEPTH INSULATION
  - FASTENERS: TYPE S-12 STEEL SCREWS USED TO ATTACHED PANELS TO STUDS.  
 SINGLE LAYER SYSTEMS: 1 IN. LONG FOR 1/2 AND 5/8 IN. THICK PANELS OR 1-1/4 IN. LONG FOR 3/4 IN. THICK PANELS SPACED 8 IN. OC WHEN PANELS ARE APPLIED HORIZONTALLY, OR 8 IN. OC ALONG VERTICAL AND BOTTOM EDGES AND 12 IN. OC IN THE FIELD WHEN PANELS ARE APPLIED VERTICALLY.  
 SINGLE LAYER SYSTEMS WITH TYPE ULIX: 1 IN. LONG FOR 1/2 IN. OC IN THE FIELD AND PERIMETER, WHEN PANELS ARE APPLIED HORIZONTALLY OR VERTICALLY.  
 TWO LAYER SYSTEMS: FIRST LAYER- 1 IN LONG FOR 1/2 AND 5/8 IN. THICK PANELS OR 1-1/4 IN. LONG FOR 3/4 IN. THICK PANELS, SPACED 16 IN. OC. SECOND LAYER- 1-5/8 IN LONG FOR 1/2 IN. 5/8 IN. THICK PANELS OR 2-1/4 IN LONG FOR 3/4 IN. THICK PANELS, SPACED 16 IN. OC WITH SCREWS OFFSET 8 IN. FROM FIRST LAYER.
  - FURRING / ADDITIONAL FRAMING: NONE REQUIRED.
  - JOINT TAPE AND COMPOUND VINYL OR CASEING, DRY OR PREMIXED JOINT COMPOUND APPLIED IN TWO COATS TO JOINTS AND SCREW HEADS OF OUTER LAYERS. PAPER TAPE, NOMINAL 2 IN. WIDE, EMBEDDED IN FIRST LAYER OF COMPOUND OVER ALL JOINTS OF OUTER LAYER PANELS. PAPER TAPE AND JOINT COMPOUND MAY BE OMITTED WHEN GYP SUM PANELS AARE SUPPLIED WITH A SQUARE EDGE.
  - SEALANTS: A BEAD OF GYP SUM FIRE RATED COMPOUND OR FIRE CAULK APPLIED AROUND THE PARTITION PERIMETER.