

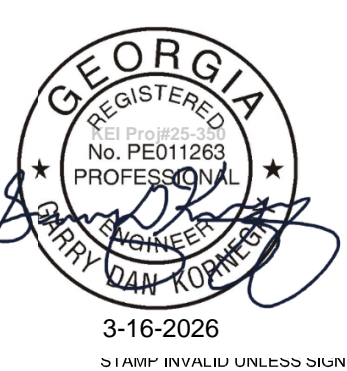
ARCHITECT

STAMP INVALID UNLESS SIGNED



Kornegay Engineering Inc.
Structural Consultant
363 Pierce Avenue
Suite 202
Macon, GA 31204
(478)745-6161 ph
Project No: 25-350

CONSULTANT



New Facility

Hampton Travel Center

Hwy 81 / Parcel # 019-02031002 Hampton, Georgia 30253

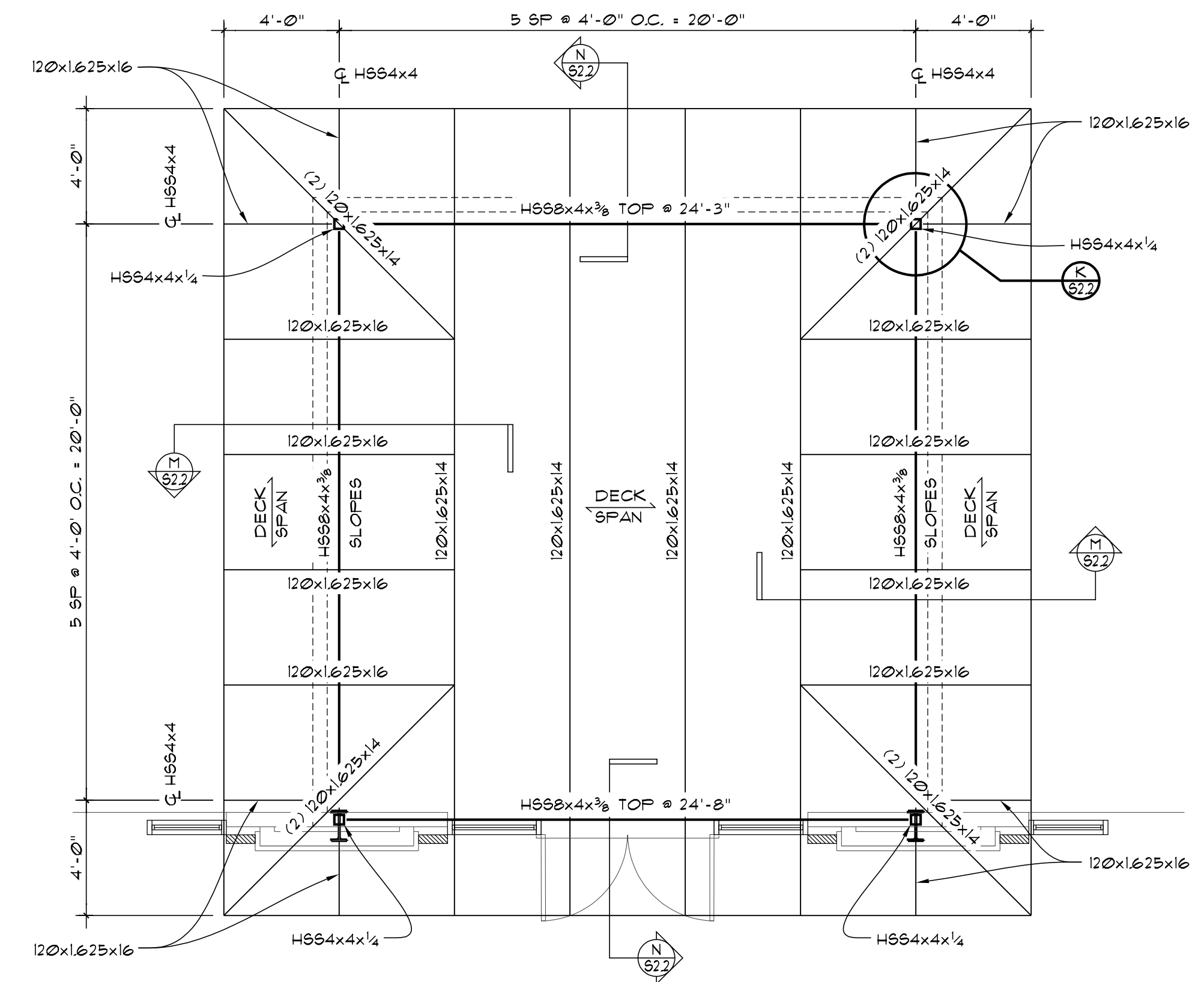
JOB NO.:	02511
DRAWN BY:	DWW
CHECKED BY:	GDK
DESCRIPTION:	SC4-REVIEW
DATE:	00/00/25
DESCRIPTION:	DD-REVIEW
DATE:	00/00/25
DESCRIPTION:	CD-REVIEW
DATE:	01/22/26
DESCRIPTION:	BID-CONST
DATE:	00/00/26
REVISIONS:	
1	03/13/26
2	
3	
4	
5	
6	
7	

THESE DRAWINGS ARE THE PROPERTY OF GM ARCHITECT AND ARE NOT TO BE REPRODUCED OR REUSED WITHOUT PERMISSION AND CREDIT.
COPYRIGHT: © 2025

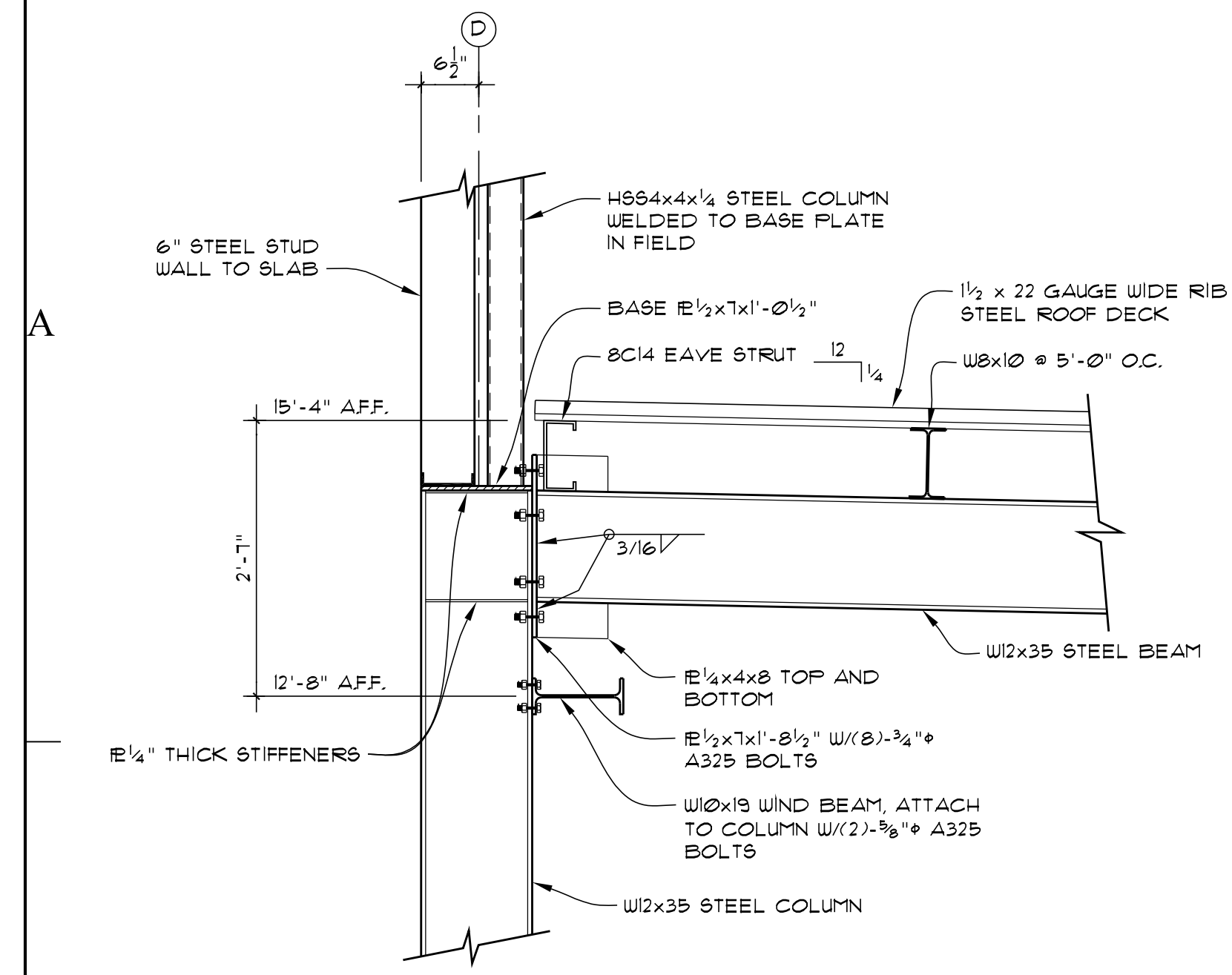
SHEET

S2.2

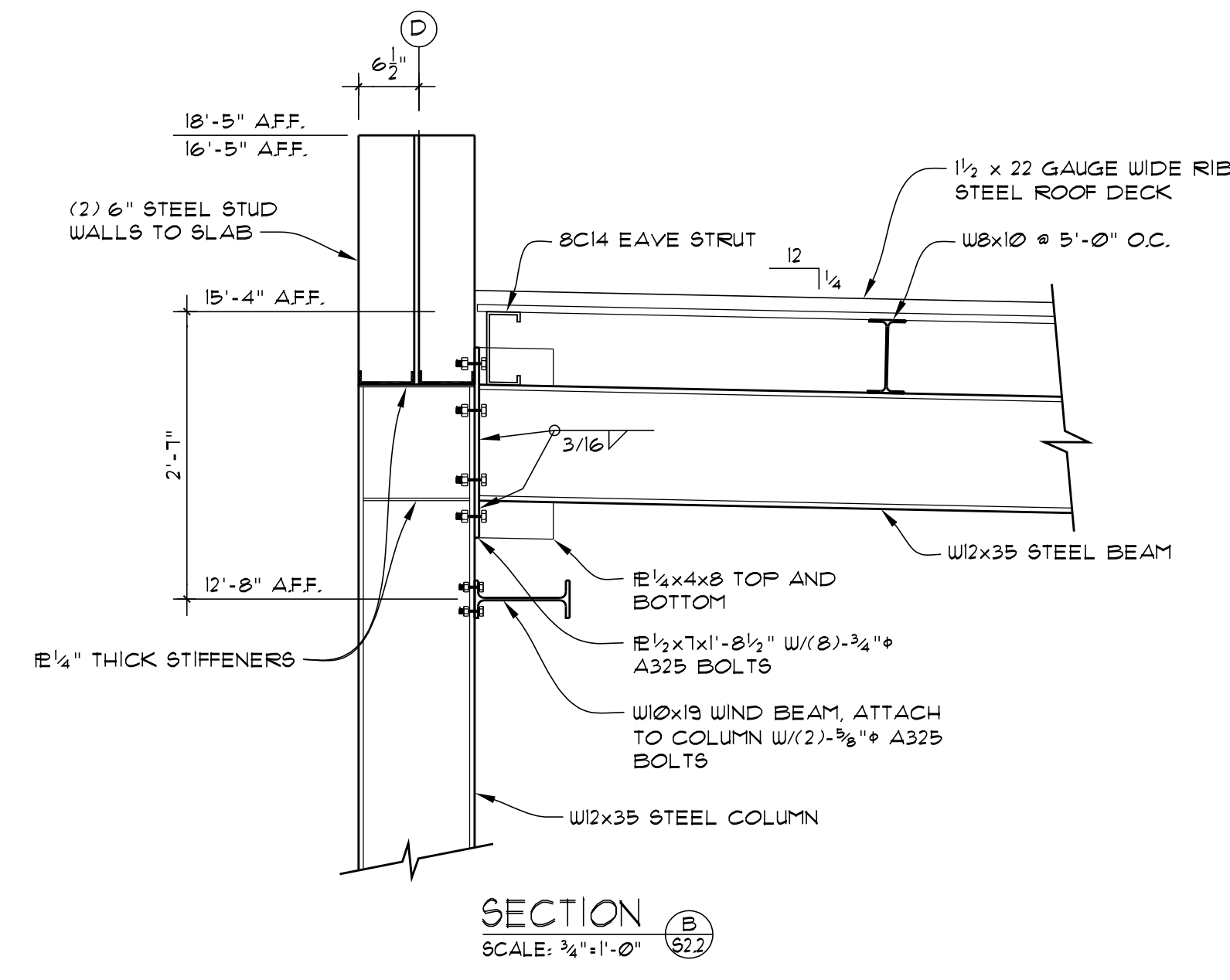
OF



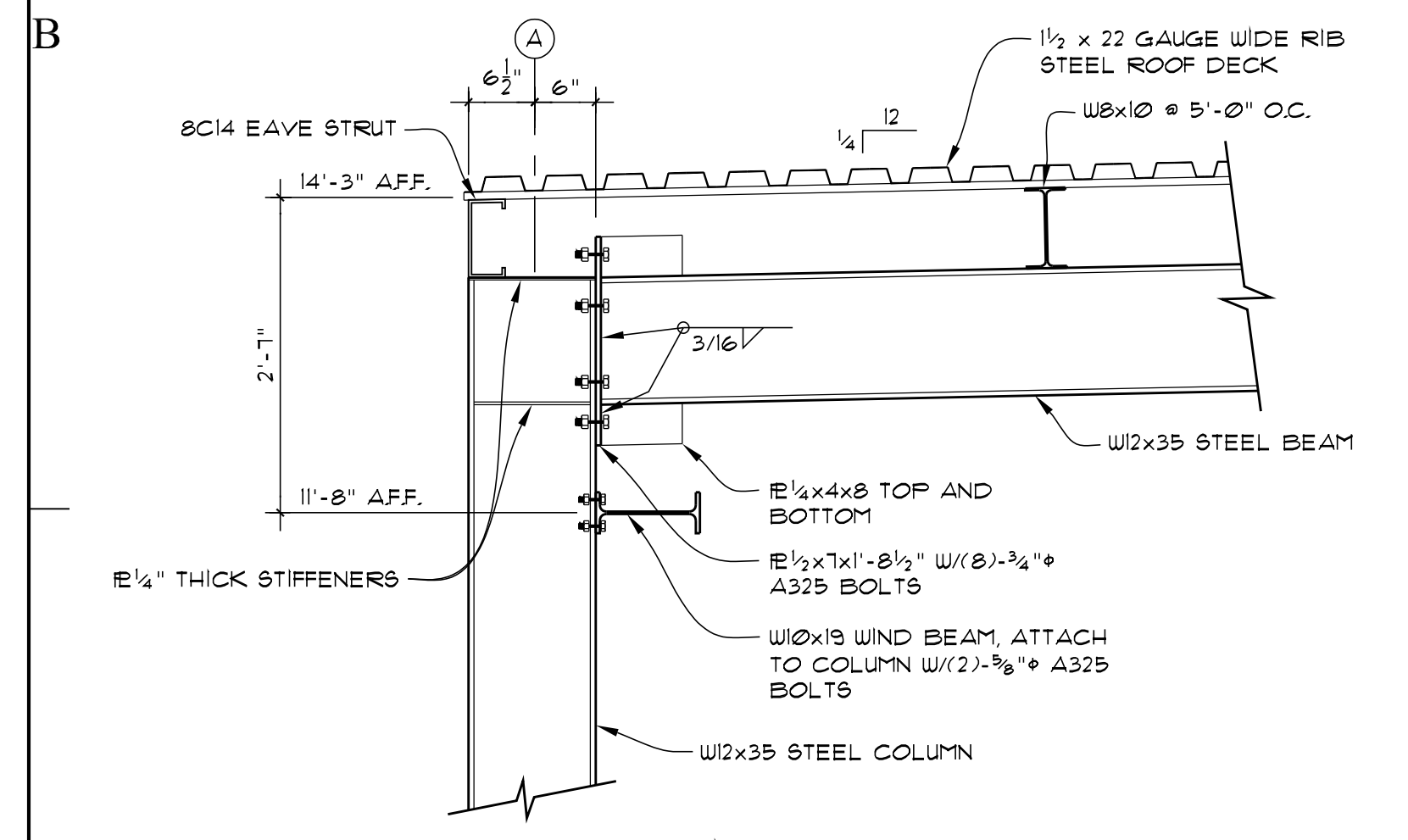
HIGH ROOF FRAMING PLAN
SCALE: 1/4"=1'-0"



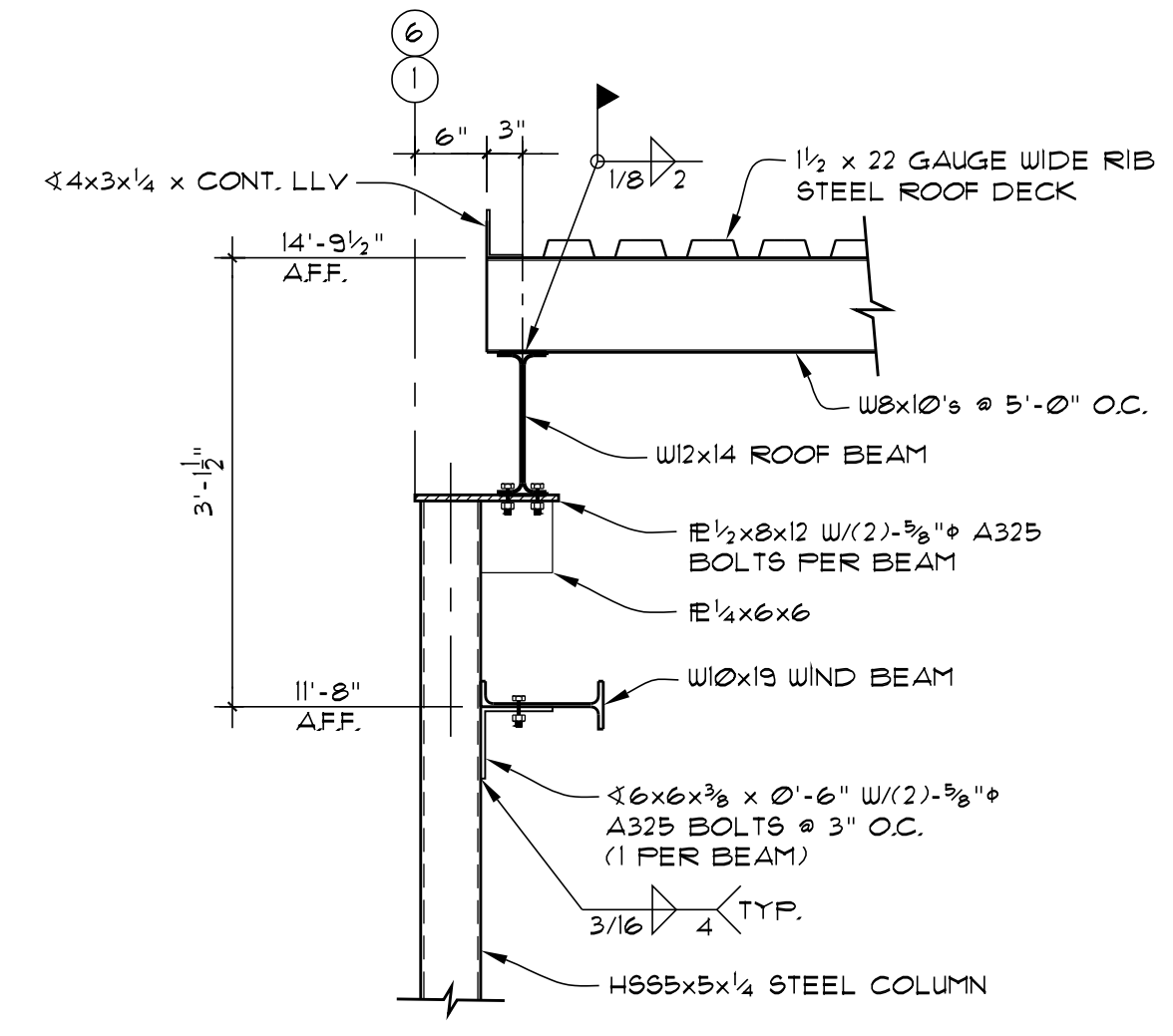
SECTION A
SCALE: 3/4"=1'-0"



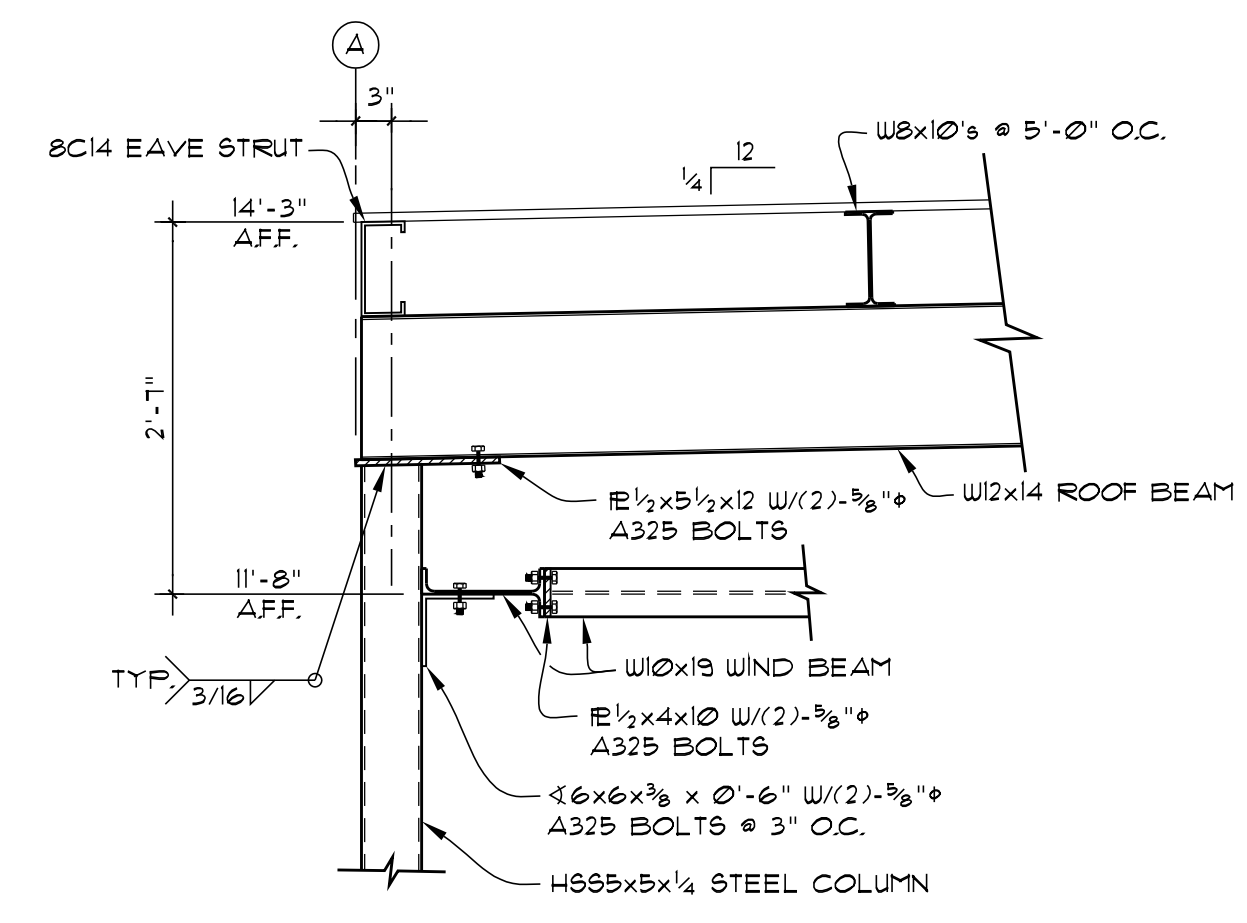
SECTION B
SCALE: 3/4"=1'-0"



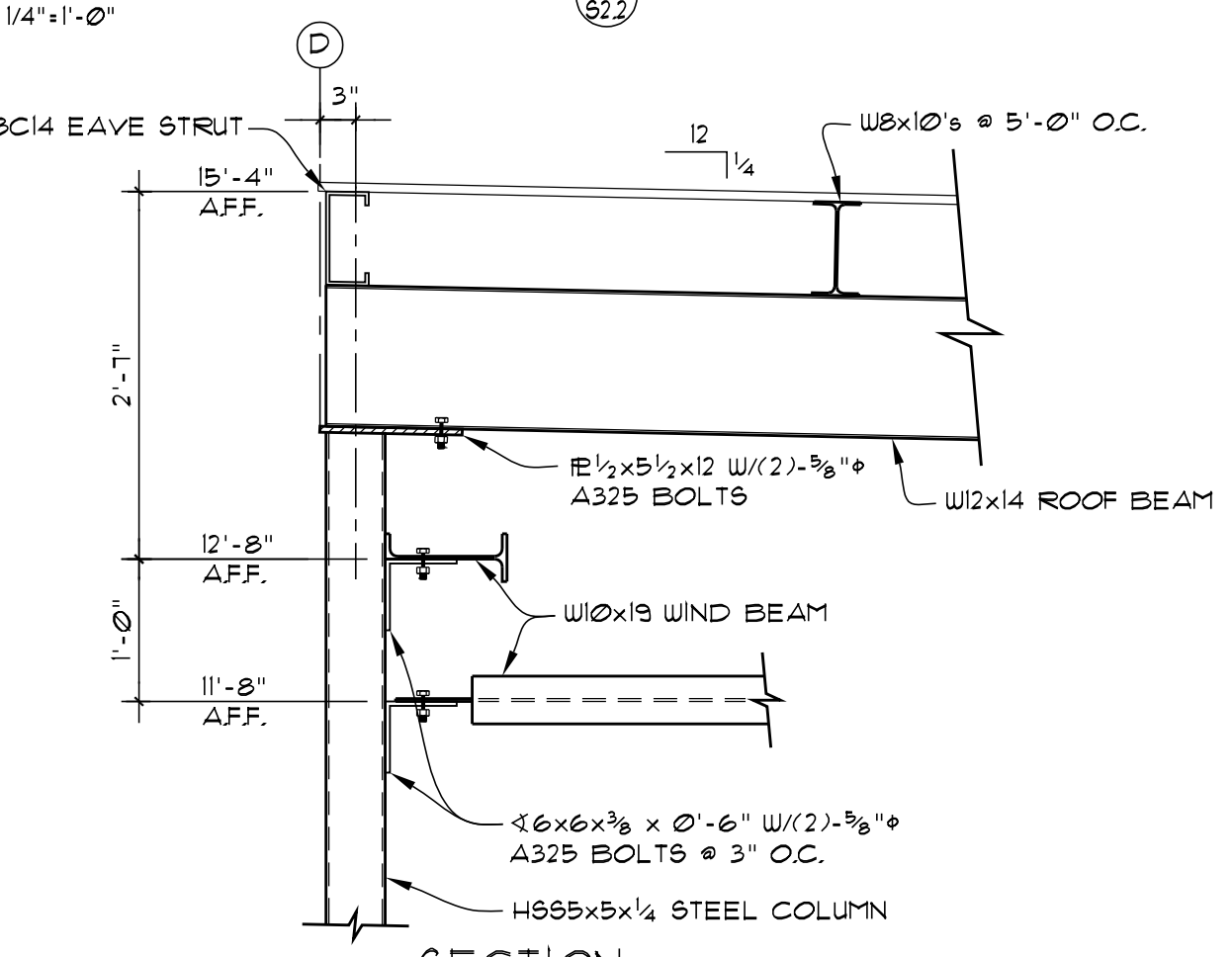
SECTION C
SCALE: 3/4"=1'-0"



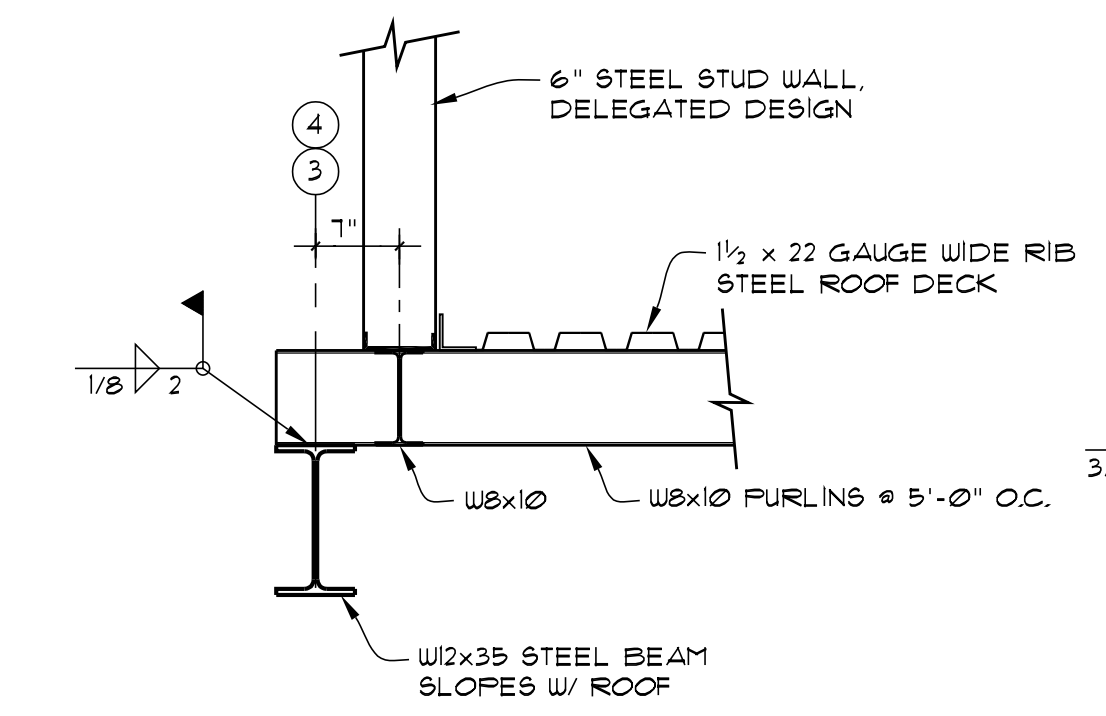
SECTION D
SCALE: 3/4"=1'-0"



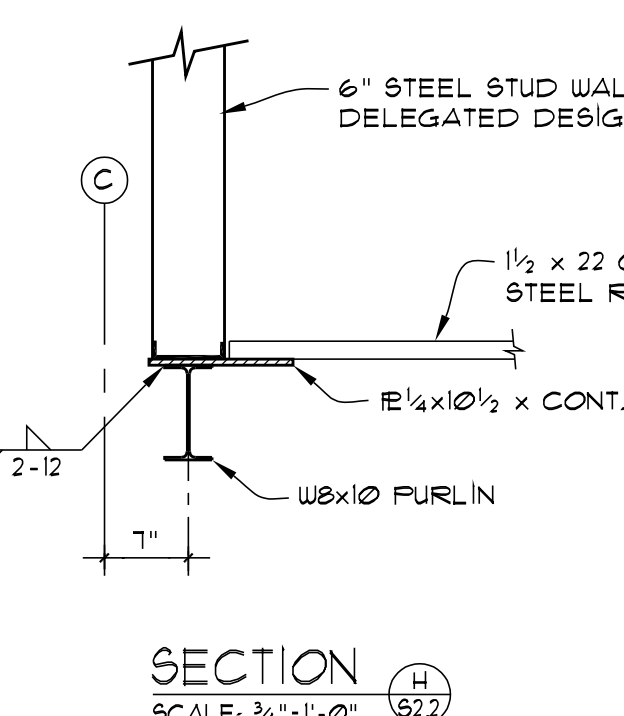
SECTION E
SCALE: 3/4"=1'-0"



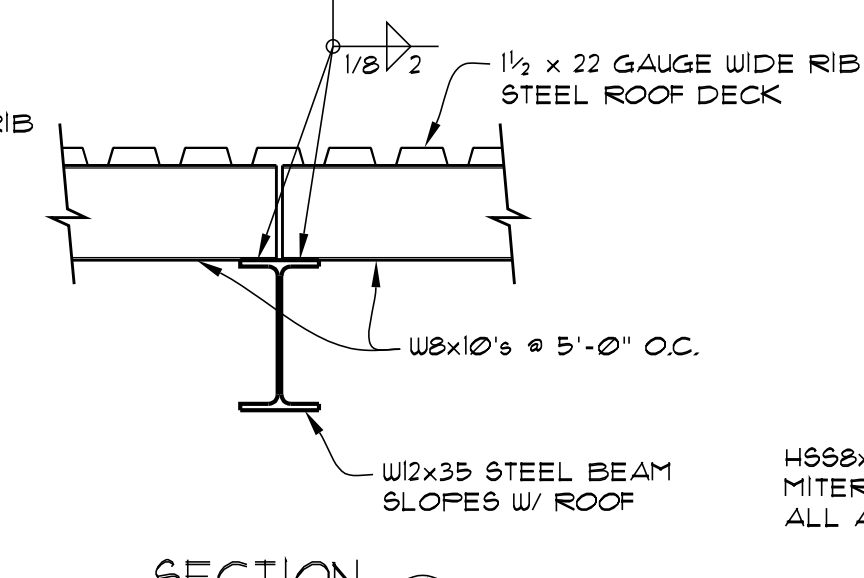
SECTION F
SCALE: 3/4"=1'-0"



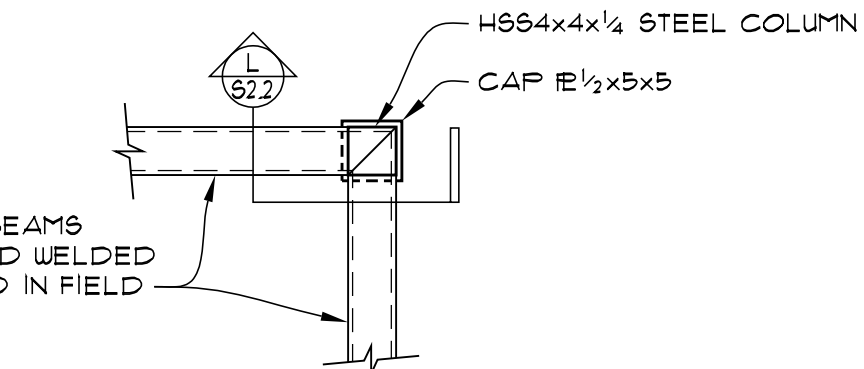
SECTION G
SCALE: 3/4"=1'-0"



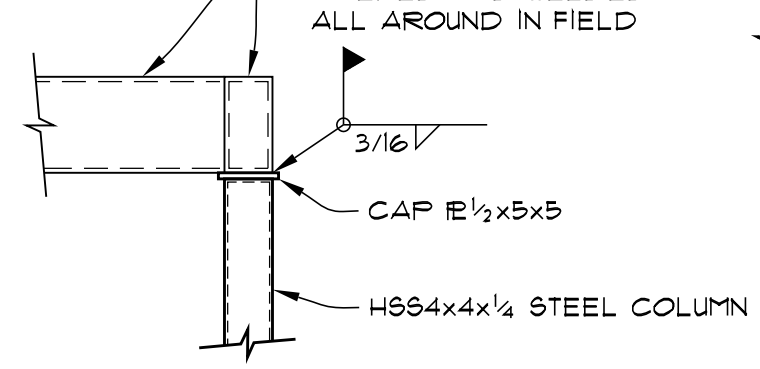
SECTION H
SCALE: 3/4"=1'-0"



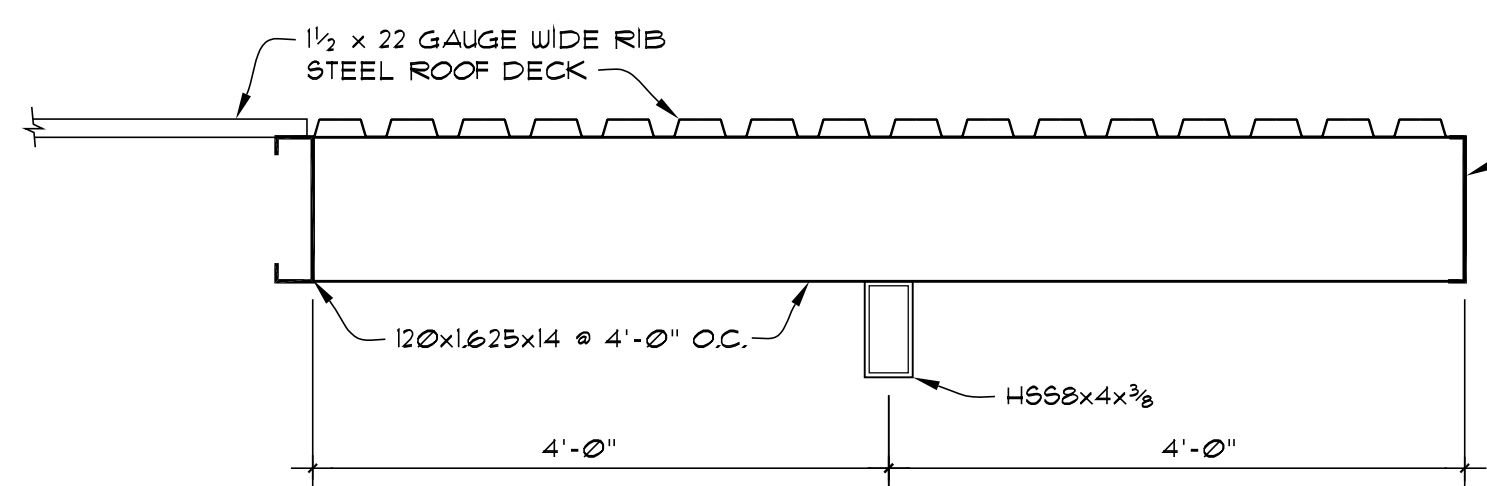
SECTION I
SCALE: 3/4"=1'-0"



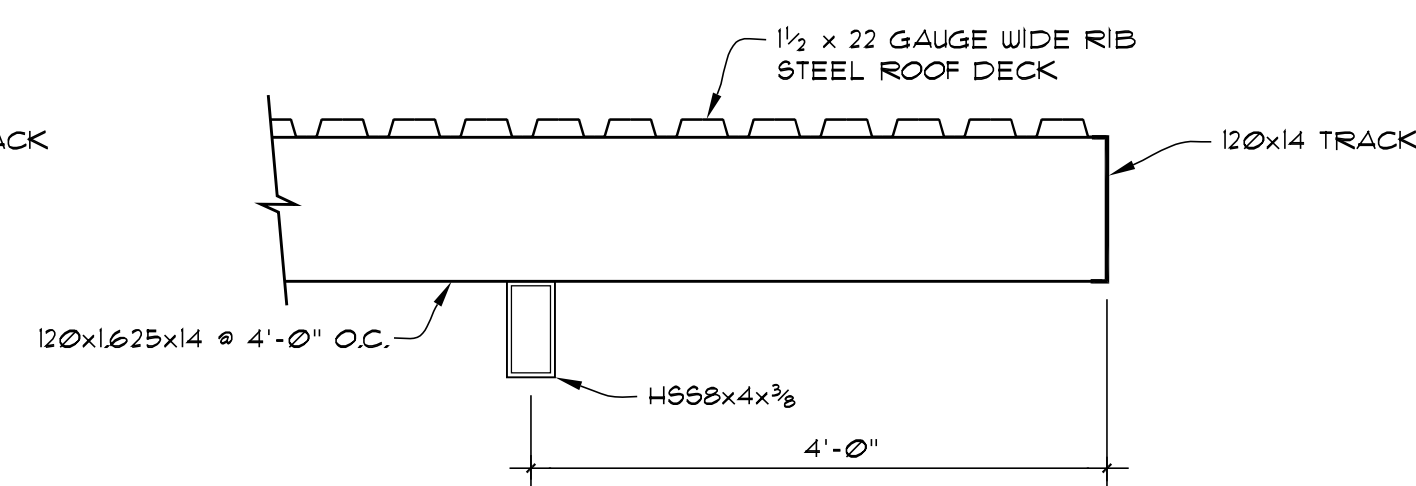
SECTION J
SCALE: 3/4"=1'-0"



SECTION K
SCALE: 3/4"=1'-0"

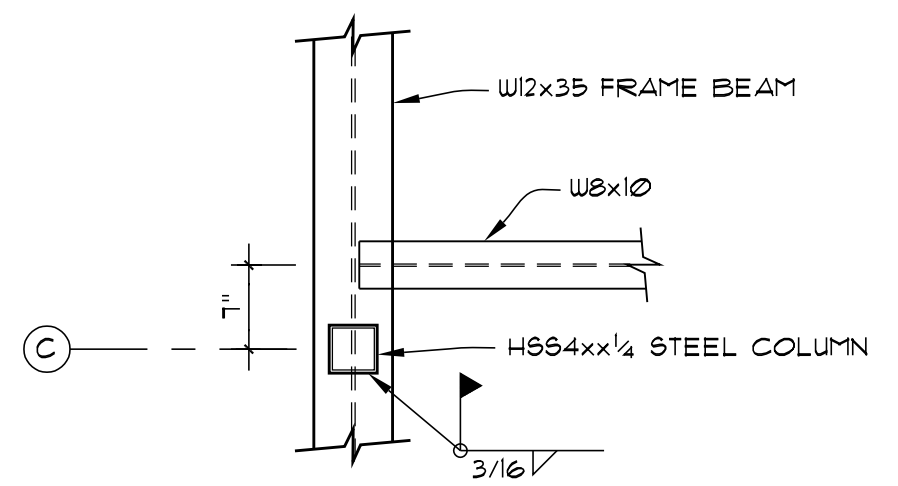


SECTION M
SCALE: 3/4"=1'-0"

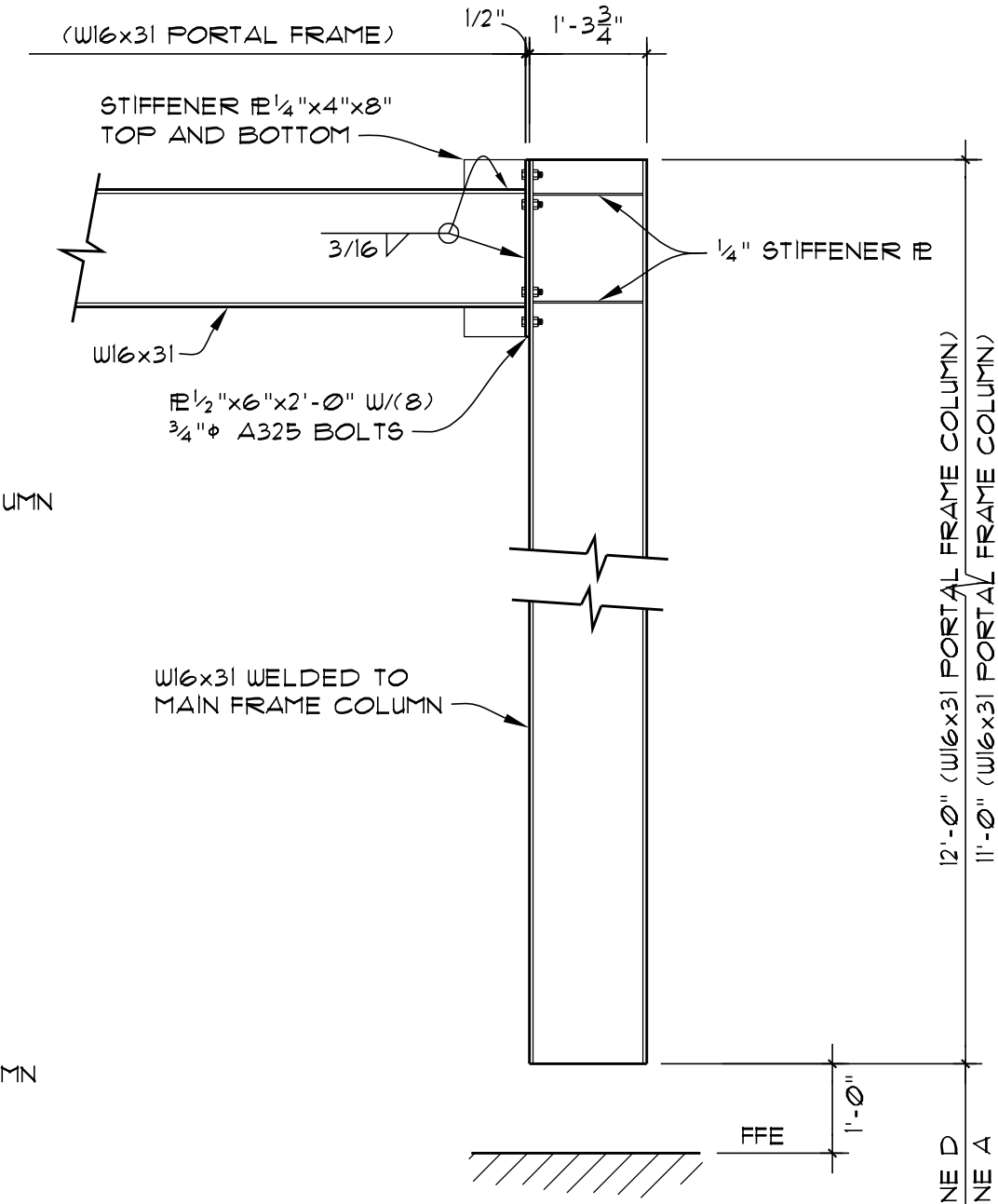


SECTION N
SCALE: 3/4"=1'-0"

PLAN DETAIL K
SCALE: 3/4"=1'-0"



SECTION P
SCALE: 3/4"=1'-0"



PORTAL FRAME DETAIL I
SCALE: 1/2"=1'-0"