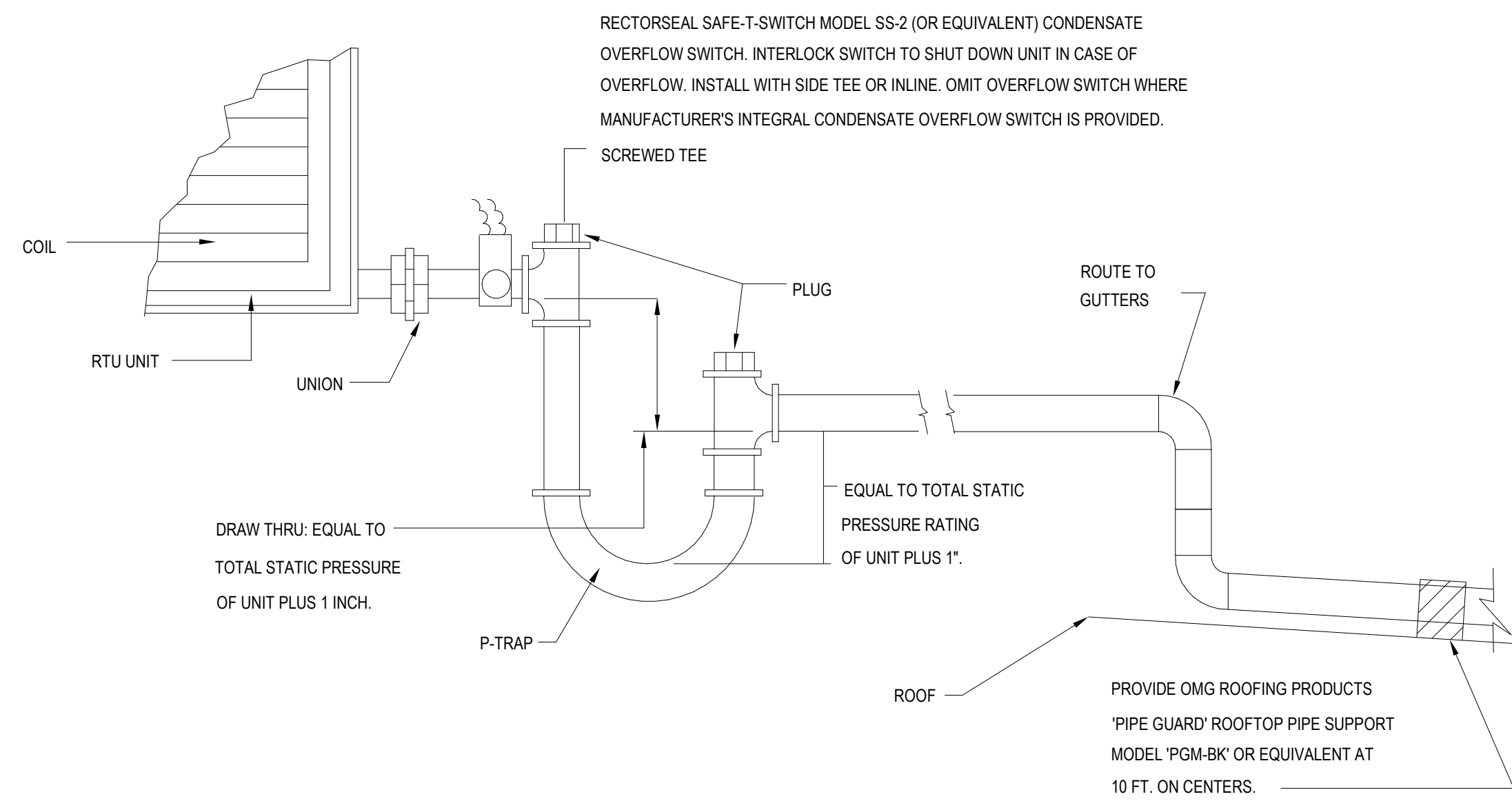
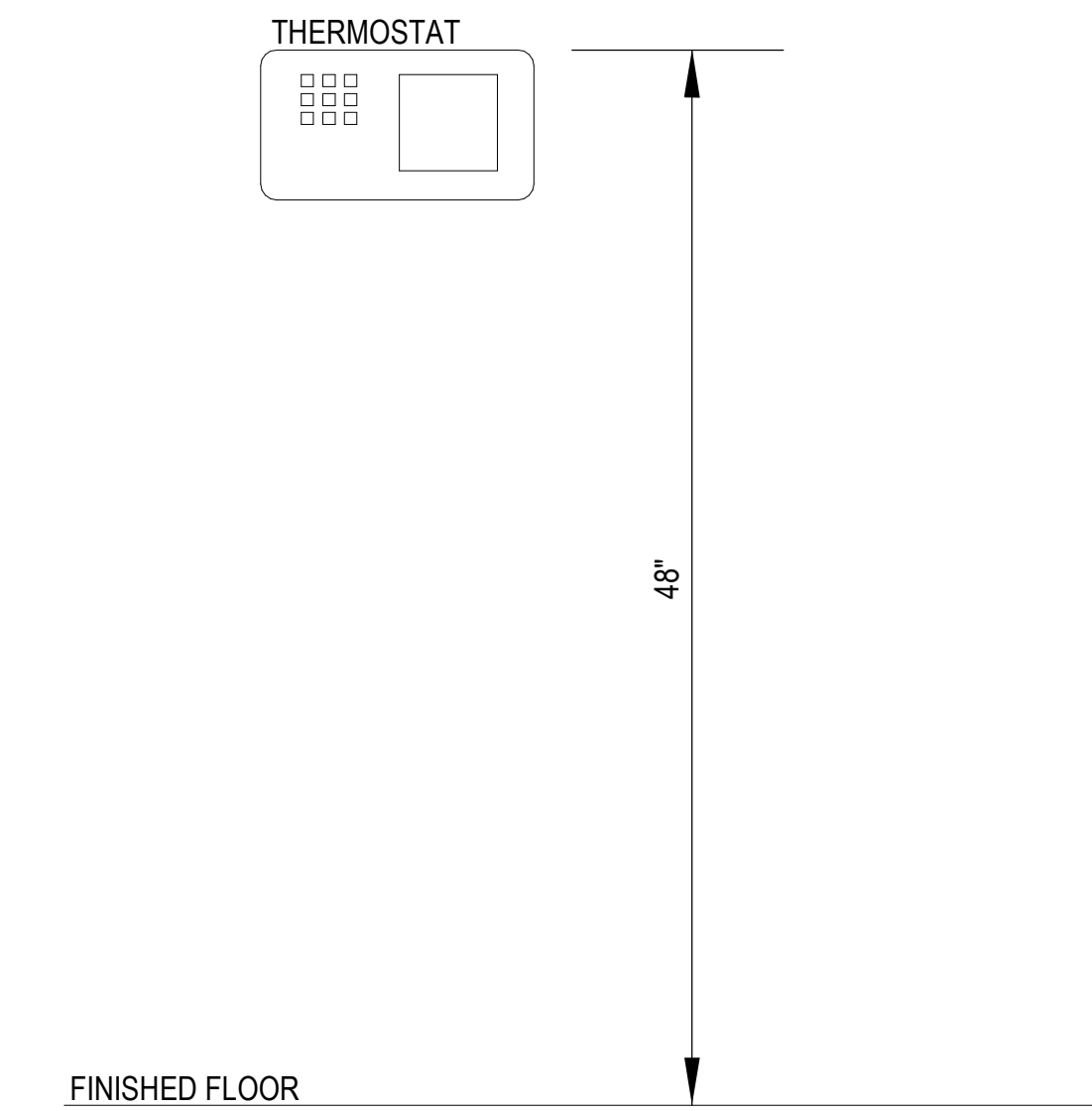


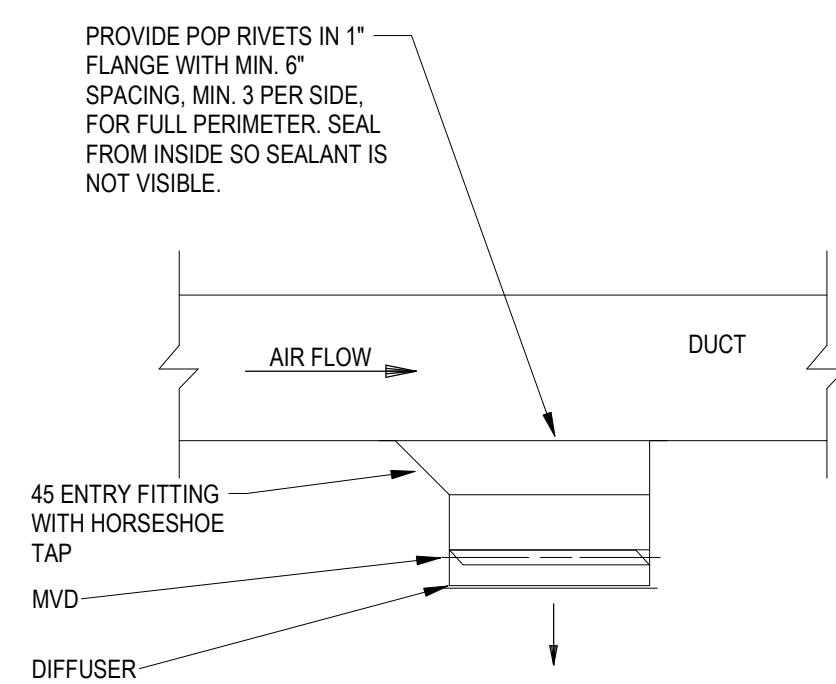
1 CONDENSATE DRAIN DETAIL  
M0.5 NOT TO SCALE



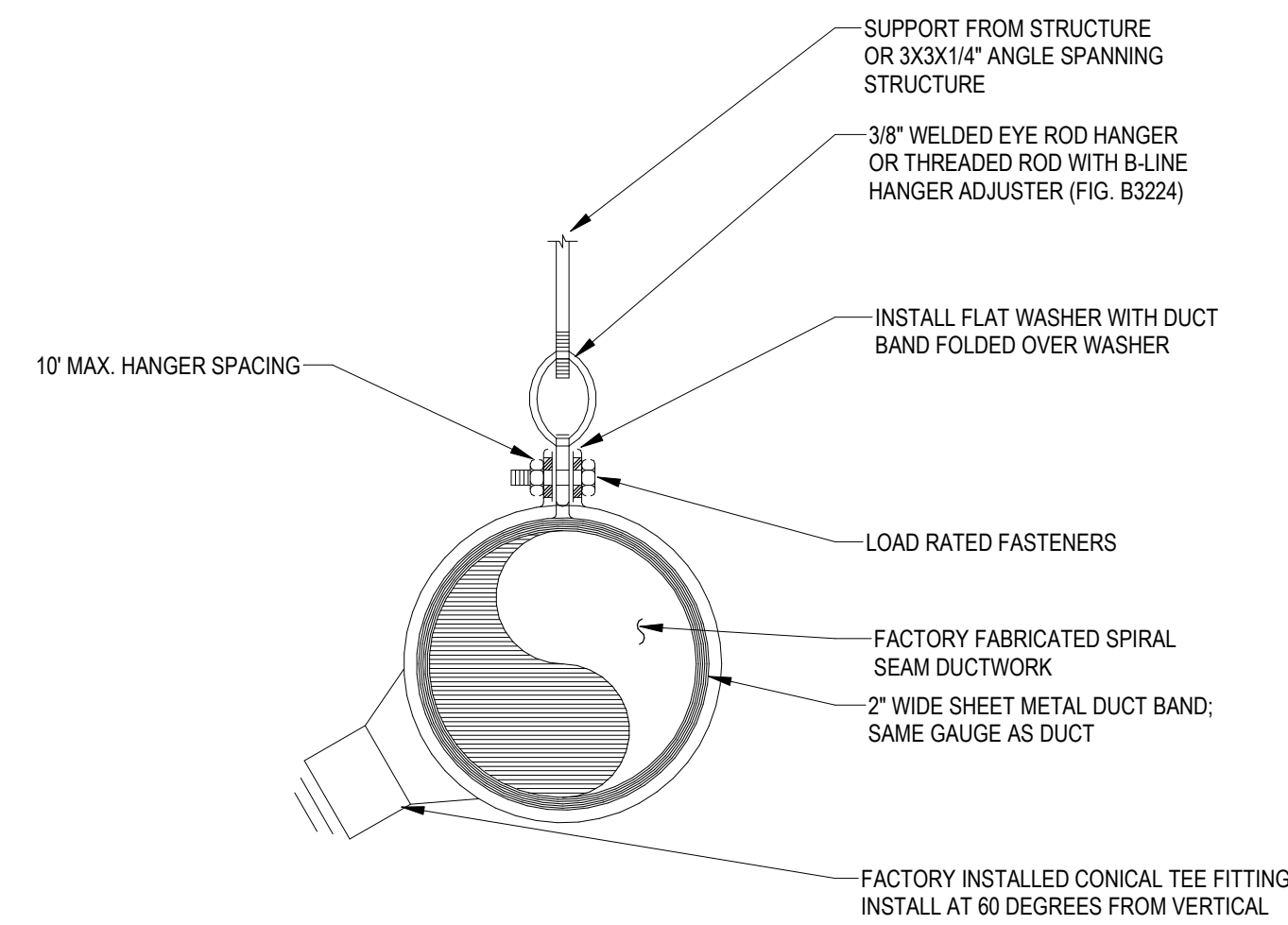
2 CONDENSATE DRAIN FOR ROOF TOP DETAIL  
M0.5 NO SCALE



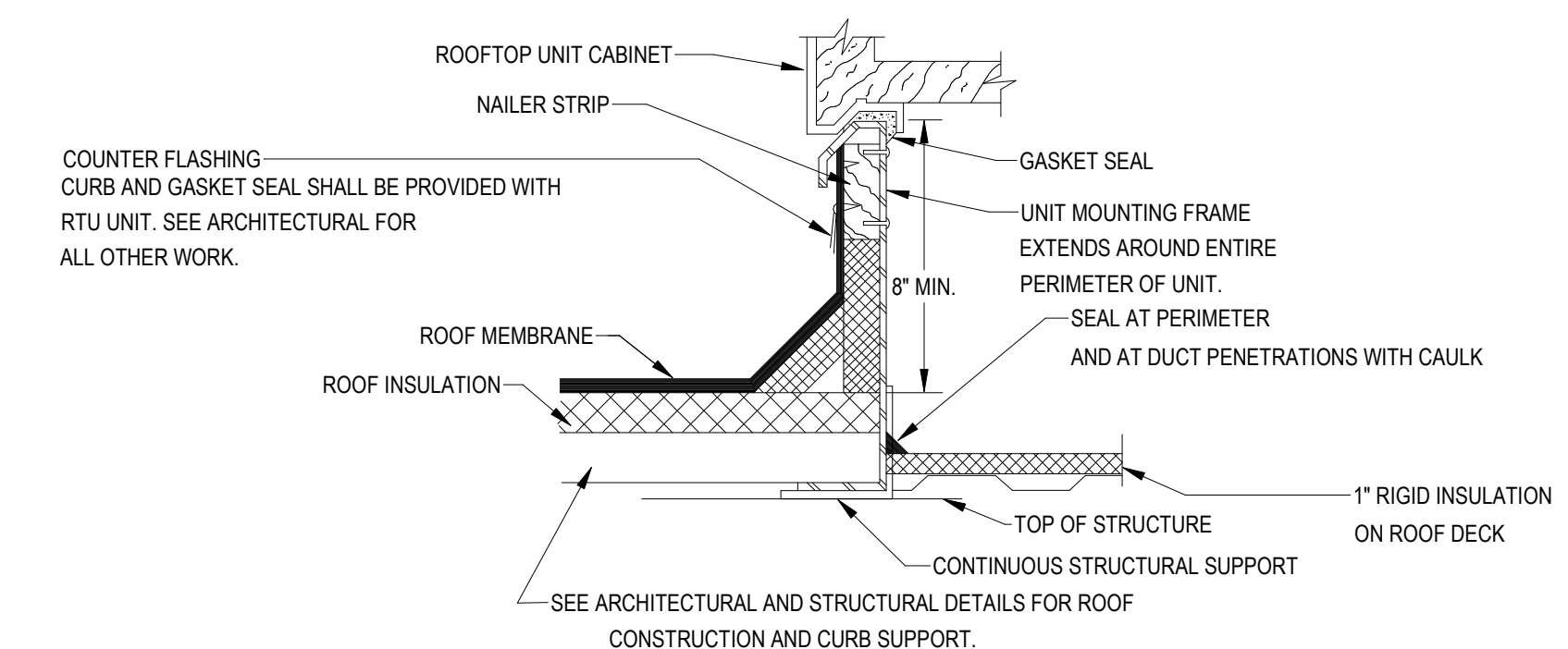
3 T-STAT DETAIL  
M0.5 NOT TO SCALE



4 DUCT MOUNTED DIFFUSER DETAIL  
M0.5 NOT TO SCALE



5 DUCT SUPPORT IN EXPOSED AREAS  
M0.5 NOT TO SCALE



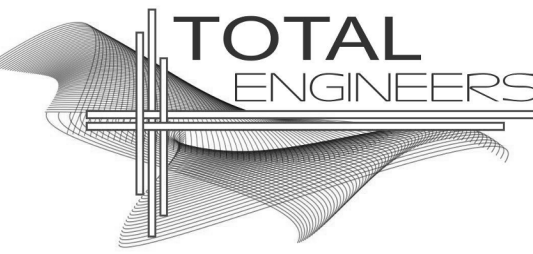
6 ROOFTOP CURB INSTALLATION DETAIL  
M0.5 NO SCALE

**GM**

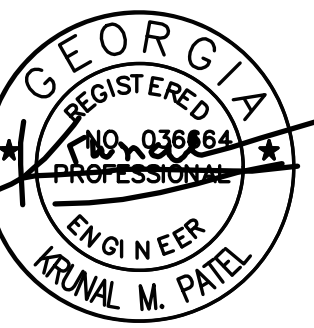
**Architect**

102 Sammy Court  
WARNER ROBINS, GEORGIA 31088  
glnarch@outlook.com (478)-365-8976

ARCHITECT



169 New Street, Macon, GA 31201  
(478)741-4632 - T. E. project # 25-106  
www.totalengineers.com  
GA COA NO # PEF009195 EXP: 08/30/2026



CONSULTANT

STAMP INVALID UNLESS SIGNED

**New Facility**  
**Hampton Travel Center**  
Hampton, Georgia  
Hwy 81 / Parcel # 019-02031002

MECHANICAL DETAILS

JOB NO.: 02511  
DRAWN BY: ACC  
CHECKED BY: KP  
DESCRIPTION: SCH-REVIEW  
DATE: 00.0025  
DESCRIPTION: DD-REVIEW  
DATE: 00.0025  
DESCRIPTION: CD-REVIEW  
DATE: 12.19.25  
DESCRIPTION: BID-CONST  
DATE: 00.0025

REVISIONS:

1	
2	
3	
4	
5	
6	
7	

THESE DRAWINGS ARE THE PROPERTY OF GM ARCHITECT AND ARE NOT TO BE REPRODUCED OR REUSED WITHOUT PERMISSION AND CREDIT.  
COPYRIGHT: © 2025

SHEET

**M0.5**

OF