

# ELECTRICAL SPECIFICATIONS

**DIVISION 26**  
ELECTRICAL

**SECTION A: GENERAL ELECTRICAL REQUIREMENTS**

- THESE PLANS AND SPECIFICATIONS APPLY TO NEW FACILITY HAMPTON TRAVEL CENTER IN HAMPTON, GEORGIA. WORK DESCRIBED BY THESE PLANS AND SPECIFICATIONS APPLY TO THE INDICATED PROJECT AND MAY NOT BE MODIFIED OR REUSED WITHOUT WRITTEN APPROVAL OF THE ENGINEER.
- ALL WORK SHALL BE PERFORMED BY LICENSED ELECTRICAL CONTRACTOR WITH MINIMUM OF TWO YEARS OF EXPERIENCE. LIST OF PREVIOUS JOBS AND REFERENCES SHALL BE MADE AVAILABLE UPON REQUEST. CONTRACTOR SHALL PROVIDE ADEQUATE INSURANCE FOR PERSONNEL AND SHALL REPAIR ANY DAMAGE OCCURRING AS THE RESULT OF THIS PROJECT SITE AND RELATED PROPERTY.
- ALL WORK SHALL BE PERFORMED IN A PROFESSIONAL MANNER IN ACCORDANCE WITH THE 2023 NATIONAL ELECTRICAL CODE, LIFE SAFETY CODE NFPA 701, IECA CODE, GA ACCESSIBILITY CODE, STATE OF GEORGIA ENERGY CODE AND ALL OTHER APPLICABLE CODES AND ORDINANCES.
- ALL PERMITS AND FEES SHALL BE OBTAINED AND PAID FOR BY THE CONTRACTOR.
- ALL EQUIPMENT, MATERIAL, AND DEVICES SHALL BE LISTED OR RECOGNIZED BY UNDERWRITER'S LABORATORY OR ELECTRICAL TESTING LABORATORY AND USED AND INSTALLED IN ACCORDANCE WITH ITS LISTING.
- ALL WORK PERFORMED SHALL BE WARRANTED FOR A PERIOD OF ONE YEAR FROM THE FINAL COMPLETION DATE EXCEPT FOR FUSES AND LAMPS IN LIGHT FIXTURES. UPON NOTIFICATION OF A PROBLEM, THE CONTRACTOR SHALL INVESTIGATE THE PROBLEM WITHIN 48 HOURS UNLESS A DIFFERENT TIME PERIOD IS AGREED TO. THE CONTRACTOR SHALL INVESTIGATE, REPAIR OR REPLACE ALL FAULTY EQUIPMENT WITHIN A REASONABLE TIME PERIOD WITHOUT CHARGE TO THE OWNER.
- THE TERM "PROVIDE" SHALL BE UNDERSTOOD TO MEAN, OBTAIN THE ITEM DESCRIBED, INSTALL ITEM IN ACCORDANCE WITH THESE PLANS, SPECIFICATIONS, AND MANUFACTURER'S RECOMMENDATIONS.
- ALL PENETRATIONS MADE IN FIRE RATED BUILDING PORTIONS SHALL BE SEALED WITH A LISTED RESISTANT MATERIAL SUITABLE FOR THE APPLICATION.
- ALL INSTALLATIONS OF ELECTRICAL EQUIPMENT AND MATERIALS SHALL BE COORDINATED WITH OTHER TRADES PRIOR TO INSTALLATION.
- PLANS ARE DIAGRAMMATIC AND SHOW THE LOCATION OF THE EQUIPMENT, RACEWAY AND FIXTURES, AND ARE NOT TO BE SCALED. ALL DIMENSIONS SHALL BE VERIFIED AT THE BUILDING SITE.
- CONTRACTOR SHALL VERIFY AND COORDINATE ALL EQUIPMENT AND DEVICE LOCATIONS WITH OWNER'S PROJECT MANUAL PRIOR TO INSTALLATION.

- PROVIDE FACEPLATES FOR ALL RECEPTACLES AND SWITCHES. COORDINATE STYLE AND COLOR WITH OWNER'S PROJECT MANAGER.
- PROVIDE BETWEEN 12 AND 24 INCHES OF LIQUID TIGHT FLEXIBLE CONDUIT BETWEEN RIGID CONDUIT AND ANY EQUIPMENT CONTAINING MOTORS. THE FLEXIBLE CONDUIT SHALL BE SUPPORTED TO PREVENT THE CONDUIT FROM RESTING ON THE GROUND OR CONCRETE PAD.
- PROVIDE WEATHERPROOF RECEPTACLE WITHIN 25 FEET OF EACH PIECE OF EXTERIOR EQUIPMENT. THIS RECEPTACLE SHALL BE MOUNTED HORIZONTALLY WITH METAL HINGED "IN USE" COVER MOUNTED TO OPEN UP. THIS OUTLET SHALL BE A GFCI RECEPTACLE. THIS RECEPTACLE SHALL BE MOUNTED IN DIE CAST NON CORRODING METAL BOX.
- WHEN OUTLETS OR BOXES ARE INDICATED INSTALLED ON OPPOSITE SIDES OF THE SAME WALL. THE CONTRACTOR SHALL ADJUST THE LOCATION TO OFFSET THE OUTLETS WITH A WALL STUD PROVIDING SEPARATION.

**SECTION C: DISTRIBUTION EQUIPMENT**

- CONTRACTOR SHALL PROVIDE CONDUCTORS AND CONDUIT FOR ALL FEEDERS IN ACCORDANCE WITH THE PLANS.
- SEPARATELY MOUNTED CIRCUIT BREAKERS SHALL BE MOUNTED IN NEMA TYPE I ENCLOSURES IN INDOOR APPLICATIONS AND IN NEMA 3R ENCLOSURES IN EXTERIOR OR WET LOCATIONS. ALL CIRCUIT BREAKER ENCLOSURES SHALL BE PROVIDED WITH HINGED COVERS AND PROVISIONS FOR PADLOCKING THE COVERS.
- ALL EQUIPMENT CONTAINING MOTORS SHALL BE PROVIDED WITH A DISCONNECTING MEANS WITHIN TEN FEET OF THE UNIT UNLESS OTHERWISE NOTED. THIS DISCONNECTING MEANS SHALL AS A MINIMUM BE A NON-FUSED SWITCH OR TOGGLE STARTER SIZED TO MATCH THE EQUIPMENT. PROVIDE OTHER DEVICES AS NOTED ON THE PLANS. PROVIDE NEMA TYPE I ENCLOSURES INDOORS AND NEMA 3R OUTDOORS.
- PROVIDE GFCI CIRCUIT BREAKERS AND RECEPTACLES AS INDICATED ON THE PLANS AND IN THESE SPECIFICATIONS. THESE DEVICES SHALL BE CLASS A GFCI DEVICES.
- PROVIDE PANELS AS SCHEDULED ON PLANS. CIRCUIT BREAKERS SHALL BE THERMAL-MAGNETIC BREAKERS WITH A MINIMUM INTERRUPTING RATING OF 10,000 AIC FOR 120/208V AND 14,000 AIC FOR 277/480V OR AS INDICATED ON THE PLANS. BREAKERS SHALL HAVE 65/75 DEGREE C RATED TERMINATIONS. PANEL NOTED SHALL BE SERVICE ENTRANCE RATED. MOUNT PANELS WITH TOP OF PANEL 6 FT. ABOVE FLOOR. PROVIDE 3/4 IN. GRAY PAINTED PLYWOOD BACKBOARD FOR ALL PANELS SECURED TO WALL WITH 1/4 IN. TOGGLE BOLTS. PANEL MANUFACTURERS: SQUARE D, GE, SIEMENS, AND CUTLER HAMMER. ALL CURRENT CARRYING PARTS SHALL BE COPPER.
- SYSTEM COORDINATION: THE MANUFACTURER OF THE PANELBOARDS SHALL PROVIDE SERIES RATED EQUIPMENT BASED ON U.L. LISTED TEST RESULTS. THE CONTRACTOR SHALL VERIFY THE AVAILABLE SHORT CIRCUIT CURRENT AT THE SERVING TRANSFORMER.
- PROVIDE EACH PANELBOARD WITH A TYPEWRITTEN CIRCUIT BREAKER DIRECTORY CARD INSIDE A PLASTIC COVERING (EVERY CIRCUIT AND CIRCUIT MODIFICATION SHALL BE LEGIBLY IDENTIFIED AS TO ITS CLEAR, EVIDENT, AND SPECIFIC PURPOSE OR USE. THE IDENTIFICATION SHALL INCLUDE SUFFICIENT DETAIL TO ALLOW EACH CIRCUIT TO BE DISTINGUISHED FROM ALL OTHERS). THE DIRECTORY AND COVERING SHALL BE LOCATED INSIDE A STEEL FRAME PROVIDED INSIDE THE DOOR OF EACH PANELBOARD. THE DIRECTORY SHALL BE TYPED TO IDENTIFY THE LOAD FED BY EACH CIRCUIT BREAKER AND THE AREAS SERVED.
- PROVIDE NAMEPLATES FOR ALL PANELBOARDS, DISCONNECT SWITCHES, ENCLOSED CIRCUIT BREAKERS, COMBINATION STARTERS, CONTACTORS, AND ALL OTHER ELECTRICAL DISTRIBUTION EQUIPMENT PANELS. MOUNT NAMEPLATES ON EXTERIOR OF THE DOOR OF ALL SURFACE MOUNTED PANELS AND EQUIPMENT. NAME PLATES SHALL BE LAMINATED PLASTIC PLATES WITH 3/16 IN. HIGH WHITE LETTERS ETCHED ON BLACK BACKGROUND. NAME PLATES SHALL BE INSTALLED PARALLEL TO EQUIPMENT LINES. THE NAME OR USAGE OF EACH DEVICE OR BRANCH CIRCUIT SHALL BE ETCHED IN THE NAMEPLATE. CONTRACTOR TO COORDINATE EXACT EQUIPMENT IDENTIFICATION WITH THE OWNER. SECURE NAMEPLATES VIA EPOXY GLUE.

**SECTION D: LIGHTING**

- TYPES AND SPECIFIC REQUIREMENTS ARE PROVIDED ON THE LIGHTING FIXTURE SCHEDULE ON THE PLANS. ALL LIGHT FIXTURES SHALL BE PROVIDED WITH LAMPS, DRIVERS, BALLASTS, AND FULLY FUNCTIONING AT COMPLETION OF PROJECT.
- ALL LIGHTING FIXTURES SHALL BE U.L. LISTED AND HAVE A MINIMUM OF 5 YEAR ON-SITE REPLACEMENT WARRANTY FOR INEFFECTIVE OR NON-STARTING SOURCE ASSEMBLIES, DRIVERS, AND FOR LUMINARIES EXHIBITING INADEQUATE LUMEN OUTPUT. IT SHALL COVER MATERIAL, FIXTURE FINISH, WORKMANSHIP, AND SHIPPING. ON-SITE REPLACEMENT SHALL INCLUDE TRANSPORTATION, REMOVAL, AND INSTALLATION OF NEW FIXTURE.
- RATED LUMINAIRE WATTAGE SHALL BE ACTUAL, ACCOUNTING FOR ANY REDUCTION IN EFFICIENCY DUE TO SUB-OPTIMAL LOADING OF DRIVERS.
- BALLAST SHALL BE CAPABLE OF ACCEPTING THE VOLTAGE INDICATED ON THE LIGHTING FIXTURE SCHEDULE AND CAPABLE OF DIMMING IF REQUIRED. DRIVERS SHALL HAVE A CLASS A RATING, TOTAL HARMONIC DISTORTION OF LESS THAN 20%, AND SHALL NOT CONTAIN ANY POLYCHLORINATED BIPHENYL (PCB).
- ALL LIGHTING FIXTURES SHALL BE TESTED TO IES LM-79 AND IES LM-80 STANDARDS. OUTDOOR FIXTURES SHALL BE IP65 RATED. FIXTURES, BALLAST AND ALL COMPONENTS SHALL HAVE A SYSTEM LIFETIME OF 50,000 HOURS OR MORE AT 25 DEGREES CELSIUS AND SHALL MAINTAIN A MINIMUM OF 85% OF INITIAL LUMEN OUTPUT AFTER 55,000 HOURS OF OPERATION. LED'S SHALL HAVE COLOR RENDERING INDEX (CRI) OF 80 OR GREATER.
- ALL SURFACE MOUNTED FIXTURES SHALL BE INDEPENDENTLY SUPPORTED FROM STRUCTURE. ALL CEILING MOUNTED FIXTURES SHALL BE SUPPORTED FROM STRUCTURE AND BRACED TO PREVENT MOVEMENT IF IMPACTED.
- ALL RECESSED FIXTURES IN LAY IN TYPE CEILINGS SHALL BE PROVIDED WITH GRID CLIPS TO FASTEN FIRMLY TO CEILING SUPPORT GRID. THE CEILING GRID SHALL BE SUPPORTED AT EACH CORNER OF A FIXTURE.
- CONNECTION TO ALL FIXTURES IN LAYIN CEILING SHALL BE BY FLEXIBLE CONDUIT OF FOUR TO SIX FEET IN LENGTH. A GROUND CONDUCTOR WILL BE INCLUDED WITH THIS CONNECTION.
- ALL LENSES ON FIXTURES SHALL BE 0.125 INCH THICK MINIMUM. ALL HOUSINGS SHALL BE 22 GAUGE STEEL MIN. AND HAVE A POST FABRICATION HIGH REFLECTIVE WHITE FINISH.

**SECTION E: TELEPHONE/DATA SYSTEMS**

- SEE E0.2 FOR SPECIFICATIONS.

**SECTION B: BASIC MATERIALS**

- ALL CONDUCTORS USED FOR 600 VOLTS OR LESS SHALL BE HIGH GRADE COPPER CONDUCTORS WITH 75 DEGREE C, THIN OR THWN THERMOPLASTIC INSULATION. ALL CONDUCTORS SHALL BE MADE IN THE USA. ALL CONDUCTORS ROUTED IN UNDERGROUND CONDUIT SHALL BE RATED FOR WET LOCATIONS.
- ALL INTERIOR 120/208 VOLT, 20 AMP PAPER AND LIGHTING WIRING SHALL BE INSTALLED IN ELECTRICAL METALLIC TUBING OR "MC" CABLE (IF NOT EXPOSED) FOR ALL INTERIOR CIRCUITS UNLESS OTHERWISE NOTED. IF "MC" CABLE IS USED, HOMERUNS SHALL BE IN 3/4 IN. EXIT, POWER CIRCUITS FOR HVAC EQUIPMENT SHALL BE IN 3/4" ELECTRICAL METALLIC CONDUIT MINIMUM. ALL CONDUIT SHALL BE SUPPORTED FROM BUILDING STRUCTURE. IT SHALL NOT BE SUPPORTED FROM DUCTWORK, PIPING, CEILING GRID OR CEILING GRID SUPPORTS, OR ANY OTHER NON-STRUCTURAL ITEM. CONDUIT SHALL BE SUPPORTED IN ACCORDANCE WITH THE NEC. CONDUIT IN EXPOSED STRUCTURE AREAS SHALL BE EMT. GALVANIZED RIGID STEEL CONDUIT SHALL BE USED IN AREAS WHERE IT WILL BE EXPOSED TO PHYSICAL DAMAGE.
- CONDUIT UNDERGROUND SHALL BE SCHEDULE 40 PVC. IF MORE THAN ONE CONDUIT IS PROVIDED IN A SINGLE TRENCH, THE CONDUIT SHALL BE RACKED WITH SPACERS EVERY FOUR FEET TO MAINTAIN A MINIMUM SPACING BETWEEN CONDUIT OF TWO INCHES. BACKFILL USED FOR UNDERGROUND INSTALLATIONS SHALL BE FREE OF FOREIGN MATTER. WHERE EXPOSED TO WEATHER, CONDUIT SHALL BE GALVANIZED RIGID STEEL OR INTERMEDIATE METALLIC CONDUIT. THE CONDUIT SHALL BE TERMINATED WITH LISTED FITTINGS AND ALL CONDUIT ENDS SHALL BE REAMED AND SMOOTH. ALL CONDUIT ENDS IN BOXES SHALL BE PROVIDED WITH INSULATED BUSHINGS.
- A #12 INSULATED COPPER GROUND CONDUCTOR SHALL BE INCLUDED IN ALL BRANCH CIRCUITS RATED 20 AMPERES. ALL OTHER CIRCUITS AND FEEDERS WILL BE PROVIDED WITH AN INSULATED COPPER CONDUCTOR SIZED AS NOTED OR IN ACCORDANCE WITH THE NEC, WHICHEVER IS GREATER.
- THE MINIMUM SIZE OF ALL CONDUCTORS NOT OTHERWISE INDICATED IS #12 AND THE MINIMUM SIZE OF ALL CONDUIT UNLESS OTHERWISE INDICATED IS 1/2 IN.
- ALL JUNCTION BOXES SHALL BE PROVIDED WITH COVERS AND ALL UNUSED OPENINGS SHALL BE PLUGGED. ALL JUNCTION BOXES SHALL BE INDEPENDENTLY SUPPORTED FROM STRUCTURE. COVERS OF BOXES SHALL BE LABELED WITH THE CIRCUIT NUMBER WITH A BLACK PERMANENT MARKER IN 3/4 IN. HIGH LETTERS (LEGIBLE HANDWRITTEN LETTERING IS ACCEPTABLE).
- ALL OUTLET BOXES SHALL BE SQUARE METAL BOXES. PROVIDE PLASTER RINGS FOR ALL OUTLET BOXES CONTAINING DEVICES TO PROVIDE A FIRM MOUNTING SUPPORT FOR THE DEVICE.
- ALL CONVENIENCE RECEPTACLES SHALL BE SPECIFICATION GRADE 20 AMP RECEPTACLES, OWNER TO SELECT COLOR.
- ALL LIGHT SWITCHES SHALL BE SPECIFICATION GRADE 20 AMP TOGGLE SWITCHES FULL LOAD RATED FOR TUNGSTEN-HALOGEN LAMPS, OWNER TO SELECT COLOR.

# LIGHTING FIXTURE SCHEDULE

A	4 FT. LENSED LED STRIPLIGHT, WITH ROUND FROSTED DIFFUSE LENS, PENDANT MOUNTED, STANDARD 0-10 DIMMING, PROVIDE 1200 LUMEN MINIMUM BATTERY PACK WHERE SHOWN. LAMPS: LED, 5000 LUMENS, 32 WATTS, 4000 DEGREE K DRIVER: UNV. VOLT	LITHONIA "CLX" SER., METALUX "SMX" SER., COLUMBIA "MPS" SER., DAYBRITE "FSS" SER.
B	2 FT. X 4 FT. ECONOMY RECESSED LOW PROFILE ARCHITECTURAL TROFFER WITH ACRYLIC CENTER LENS AND MATTE WHITE POWDER PAINT REFLECTOR, STANDARD 0-10 DIMMING. LAMPS: LED, 6000 LUMENS, 51 WATTS, 4000 DEGREE K DRIVER: UNV. VOLTAGE	LITHONIA "STAK" SER., COLUMBIA "CCL" SER., METALUX "ACHIEVA" SER., WILLIAMS "FT" SER.
B2	2 FT. X 2 FT. ECONOMY RECESSED LOW PROFILE ARCHITECTURAL TROFFER WITH ACRYLIC CENTER LENS AND MATTE WHITE POWDER PAINT REFLECTOR, STANDARD 0-10 DIMMING. LAMPS: LED, 3000 LUMENS, 24 WATTS, 4000 DEGREE K DRIVER: UNV. VOLTAGE	LITHONIA "STAK" SER., COLUMBIA "CCL" SER., METALUX "ACHIEVA" SER., WILLIAMS "FT" SER.
C	BASES OF DESIGN IS 37 1/2 INCH ROUND PENDANT, ONE PIECE SEAMLESS SATIN WHITE ACRYLIC, CABLE HUNG, WHITE POWER COAT FINISH, FINAL SELECTION BY OWNER/ARCHITECT. LAMPS: LED, 6374 LUMENS, 85 WATTS, 4000 DEGREE K DRIVER: UNV. VOLTAGE	G LIGHTING "HELIO" SERIES OR APPROVED EQUAL.
OA	ARCHITECTURAL WALL PACK WITH DIE-CAST ALUMINUM HOUSING, WET LOCATION LISTED, COORDINATE FINISH WITH OWNER/ARCHITECT. MOUNT FIXTURE SUCH THAT BOTTOM OF FIXTURE IS 14'-0" ABOVE GROUND. LAMPS: LED, 4500 LUMENS MINIMUM, 47 WATTS, 4000 DEGREE K, 90+ CRI DRIVER: UNV. VOLTAGE	LITHONIA "WDGE2" SER., MCGRAW-EDISON "IS1" SER., BEACON "TRP2" SER., OR EQUAL BY WILLIAMS
OB	SCONCE WITH UPLIGHT AND DOWNLIGHT TO BE SELECTED BY OWNER/ ARCHITECT. PROVIDE 5750 ALLOWANCE FOR LIGHTING FIXTURE ONLY. COST OF INSTALLATION MUST ALSO BE INCLUDED SEPARATELY FROM ALLOWANCE. COORDINATE MOUNTING HEIGHT WITH OWNER/ARCHITECT. LAMPS: LED, 60 WATTS MAX, 4000 DEGREE K DRIVER: UNV. VOLTAGE	TBD
OC	LED AREA LIGHT, DIE-CAST ALUMINUM HOUSING, PRECISION ACRYLIC REFRACTIVE LENS, ALUMINUM HEAT SINK, WET LOCATION LISTED, TYPE 3 DISTRIBUTION, 25 FT. SQUARE STEEL POLE. COORDINATE FINISH WITH OWNER/ARCHITECT. LAMPS: LED, 23000 LUMENS, 150 WATTS, 4000 DEGREE K DRIVER: UNV. VOLTAGE	LITHONIA "RSX2" SER., BEACON "VIPER" SER., LUMARK "TRV" SER., OR APPROVED EQUAL
X	LED INTEGRATED THERMOPLASTIC COMBO EXIT/EMERGENCY, IMPACT RESISTANT HOUSING, TOP, END, OR BACK MOUNTING STANDARD, UNIVERSAL FIELD SELECTABLE SINGLE OR DOUBLE FACE, FIELD SELECTABLE RED OR GREEN ILLUMINATION, FIELD SELECTABLE CHEVRONS, WHITE / BLACK ENCLOSURE (PROVIDE 90 MIN. BACK-UP BATTERY). LAMPS: LED, 4000 LUMENS, 46 WATTS, 4000 DEGREE K, 90+ CRI DRIVER: UNV. VOLTAGE	FOCAL POINT SEEM 4 - FSM 4LP FLF 1000LM
XO	LED, COLD WEATHER, VANDAL RESISTANT, WET LOCATION COMBO EXIT / EMERGENCY, FULLY GASKETED FRAME, NEMA 4X RATED IMPACT RESISTANT HOUSING WITH POLYCARBONATE FACE AND POLYCARBONATE LAMP-HEAD SHIELD, SINGLE OR DOUBLE FACE AS SHOWN ON PLANS, TOP, BACK OR END MOUNT, RED / GREEN FACE AS INDICATED, 4 F TO 104 F SELF POWERED MODE, (PROVIDE 90 MIN. BACK-UP BATTERY). LAMPS: LED (2), 6 WATTS DRIVER: UNV. VOLTAGE	EMERGI-LITE "SVX" SER., LIGHTALARMS "XVE" SER., DUAL-LITE "DYN" SER., BEGHELLI "FTZ-C" SER.
Y	LED 2 HEAD EMERGENCY UNIT, ROUND HEAD, LOW PROFILE CONTEMPORARY DESIGN WITH THERMOPLASTIC HOUSING, IMPACT RESISTANT, DAMP LOCATION LISTED, (PROVIDE 90 MIN. BACK-UP BATTERY). LAMPS: LED (2), 3 WATTS DRIVER: 12 VOLT POWER SUPPLY.	COMPASS "CU2" SER., LITHONIA "ELM2L" SER., LIGHT ALARMS "LCA" SER., SURELITES "SEL17" SER., EVENLITE "TCL" SER.
Z	EXTERIOR ARCHITECTURAL STYLED LOW PROFILE LED AC / EMERGENCY LIGHTING UNIT, SELF DIAGNOSTICS STANDARD, WET LOCATION WITH FULLY GASKETED HOUSING AND 20C TO 50C OPERATION, PRISMATIC POLYCARB REFRACTOR, BRONZE / BLACK SELECTED BY ARCHITECT. (PROVIDE 90 MIN. BACK-UP BATTERY). LAMPS: LED, 3 WATTS DRIVER: UNV. VOLTAGE	LITHONIA "AFO" SER., MULE "MAKO" SER., SPITZER "EWS" SER., COMPASS "TJW" SER., H.E. WILLIAMS "EMER" SER.

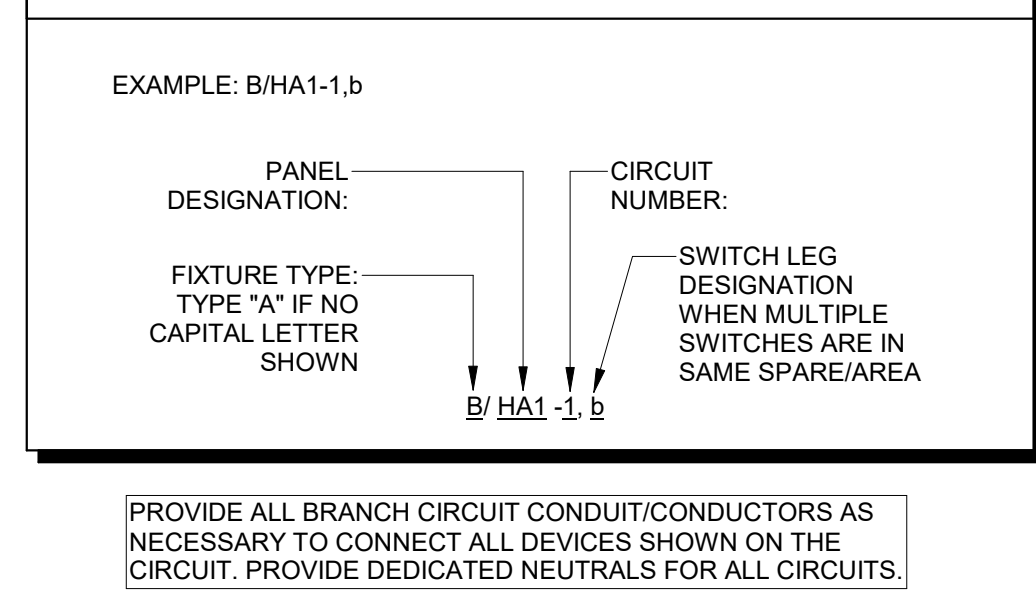
**NOTES:**

- CONTRACTOR TO VERIFY ALL VOLTAGES, GRID AND CEILING TYPES WITH THE ARCHITECT AND COORDINATE FIXTURE DIMENSION SIZE TO ENSURE A PROPER FIT IN ALL CEILING TYPES PRIOR TO ORDERING.
- ALL LUMENS LISTED ARE DELIVERED LUMENS. ALL EQUALS TO SPECIFIED FIXTURES SHALL NOT BE ANY LOWER THAN 5% OF SPECIFIED LUMENS. WATTAGE SHALL NOT BE HIGHER THAN 15% OF SPECIFIED WATTAGE.
- LISTING OF MANUFACTURERS DOES NOT EQUAL AUTOMATIC APPROVAL. ALL CHARACTERISTICS NOTED IN DESCRIPTION SECTION MUST BE MET IN ORDER TO BE APPROVED. WHERE VENDOR/REP. DOES NOT HAVE ONE MANUFACTURER LISTED, PRIOR APPROVAL IS REQUIRED TO BE SUBMITTED TO ENGINEER TEN (10) DAYS PRIOR TO BID.
- PROVIDE UNSWITCHED HOT TO EXIT SIGNS, EMERGENCY FLOOD LIGHTS AND EXTERIOR BUILDING EGRESS LIGHTING.

## GENERAL NOTES:

- ALL FLUSH RECESSED OUTLET BOXES SHALL BE INSTALLED SUCH THAT FRONT EDGE OF THE BOX WILL NOT BE SET BACK OF THE FINISHED SURFACE MORE THAN 1/4 IN. IN ORDER TO COMPLY WITH N.E.C. 414-20. SUPPORT OF OUTLET BOX BY RECEPTACLE AND COVERPLATE IS NOT ACCEPTABLE. CAREFULLY COORDINATE ROUGH-IN WITH BLOCK MASONS AND GROUT-IN CELL CONTAINING OUTLET BOX.
- DO NOT SCALE DRAWINGS TO LOCATE EQUIPMENT OR OUTLETS. MOUNTING HEIGHTS AS INDICATED ON THE DRAWINGS SHALL BE FROM THE FINISHED FLOOR TO THE CENTER LINE OF THE OUTLET BOX.
- THE ELECTRICAL DRAWINGS ARE ONLY A PART OF THE CONTRACT DOCUMENTS. ALL OF THE DRAWINGS AND SPECIFICATIONS MUST BE REVIEWED FOR THEIR INTERRELATIONSHIP AND REQUIRED COORDINATION BETWEEN DISCIPLINES.

## LIGHT FIXTURE DESIGNATION DESCRIPTION



# LEGEND

	LIGHTING AND POWER
	CONDUIT RUN CONCEALED ABOVE CEILING OR IN WALL CONTAINING 3 NUMBER 12 CONDUCTORS UNLESS SHOWN OTHERWISE. HASH MARKS, IF SHOWN, INDICATE QUANTITY OF NUMBER 12 CONDUCTORS. WHERE DRAWING SPACE PROHIBITS HASH MARKS BEING SHOWN REFER TO CIRCUIT NUMBERS AND PROVIDE REQUIRED NUMBER OF CONDUCTORS PER CIRCUIT TYPE.
	CONDUIT RUN CONCEALED IN OR BELOW FLOOR SLAB, OR UNDERGROUND.
	HOMERUN TO PANELBOARD, LETTER OR LETTERS INDICATE PANELBOARDS, NUMBERS INDICATE CIRCUIT NUMBERS.
	EXPOSED CONDUIT RUN.
	L.E.D. LIGHTING FIXTURE, SEE FIXTURE SCHEDULE FOR DIMENSIONS AND MOUNTING TYPE.
	L.E.D. FIXTURE, SURFACE OR STEM MOUNTED.
	L.E.D. TROFFER FIXTURE. SEE FIXTURE SCHEDULE FOR DIMENSIONS AND MOUNTING TYPE.
	L.E.D. LIGHTING FIXTURE, SURFACE WALL BRACKET MOUNTED. MOUNTING HEIGHT AS NOTED.
	L.E.D. LIGHTING FIXTURE, SURFACE WALL BRACKET MOUNTED. MOUNTING HEIGHT AS NOTED. SEE FIXTURE SCHEDULE FOR BATTERY PACK INFORMATION (IF APPLICABLE).
	EXIT LIGHT WITH EMERGENCY FLOOD LIGHTS.
	EMERGENCY PACK FIXTURE.
	JUNCTION BOX LOCATED ABOVE CEILING OR BELOW GRADE.
	JUNCTION BOX, FLUSH WALL MOUNTED.
	DUPLEX CONVENIENCE OUTLET, +18" TO CENTER LINE OF OUTLET UNLESS OTHERWISE NOTED. 5" INDICATES THE CIRCUIT NUMBER.
	DUPLEX CONVENIENCE OUTLET, GFI TYPE, +18" TO CENTER LINE UNLESS OTHERWISE NOTED. "WP" WHERE SHOWN INDICATES WEATHER-RESISTANT DEVICE WITH METAL IN-USE WEATHERPROOF COVER.
	DUPLEX CONVENIENCE OUTLET, GFI TYPE, MOUNTED ABOVE COUNTER AT +46" TO CENTERLINE OF RECEPTACLE UNLESS NOTED OTHERWISE.
	QUADRUPLEX RECEPTACLE, +18" TO CENTER LINE OF OUTLET UNLESS OTHERWISE NOTED.
	FLUSH FLOOR RECEPTACLE, IN FLOOR BOX WITH HINGED COVER.
	SINGLE POLE TOGGLE SWITCH, +46" TO CENTER LINE MOUNTING HEIGHT.
	THREE OR FOUR WAY SWITCH AS INDICATED, +46" TO CENTER LINE MOUNTING HEIGHT.
	LED DECORA STYLE DIMMER WITH ROCKER ON/OFF SWITCH AND SLIDE DIMMER ON SIDE OF ROCKER. 0-10VDC CAPABLE DIMMER +46" MOUNTING HEIGHT, LUTRON "DVA 0-10V" OR EQUAL BY LEVITON, WATTSTOPPER, HUBBELL, OR COOPER. (NO ADDITIONAL POWER PACK REQUIRED), DIVISION 26 SHALL PROVIDE ALL ADDITIONAL CONDUCTORS TO ALL FIXTURES CONNECTED FOR A PROPER 0-10VDC OPERATION. GRAY FINISH.
	MOTOR RATED TOGGLE SWITCH.
	PANELBOARD, SEE SCHEDULE.
	DISCONNECT SWITCH, SIZE AS NOTED ON DRAWINGS. FUSED PER MANUFACTURER'S NAME PLATE DATA OF EQUIPMENT SERVED.
	PHOTO ELECTRIC CELL.
<b>OCCUPANCY SENSORS</b>	
	SWITCH, WALL MOUNTED OCCUPANCY SENSOR (WATTSTOPPER PW-100 OR EQUAL), +46" TO CENTER LINE MOUNTING HEIGHT.
	DUAL TECHNOLOGY 360° OCCUPANCY SENSOR, CEILING MOUNTED, INFRARED/ULTRASONIC (WATTSTOPPER "DT" SERIES OR EQUAL). PROVIDE ALL NECESSARY COMPONENTS TO INSURE PROPER OPERATION (POWER PACKS, SLAVE PACKS, ETC.) INDICATES VACANCY SENSOR. UNIT MUST COMPLY WITH IECC 2015 REQUIREMENTS.)
<b>FIRE ALARM SYSTEM (120V STAND ALONE)</b>	
	SMOKE DETECTOR, PHOTOELECTRIC TYPE. 120V WITH 9V BATTERY BACKUP. WIRED SO THAT WHEN ONE GOES INTO ALARM, THEY ALL GO INTO ALARM. PROVIDE WITH AUDIBLE AND VISUAL ANNUNCIATOR.
	FIRE ALARM DUCT SMOKE DETECTOR LOCATED IN HVAC SUPPLY AIR DUCT. PROVIDE IN UNITS 2000 CFM AND GREATER. STAND ALONE 120V UNIT. UNIT SHALL COME COMPLETE WITH SAMPLING TUBE AND REMOTE TEST/RESET STATION LOCATED IN ELECTRICAL CLOSET IN ACCESSIBLE LOCATION. DETECTOR SHALL SHUT DOWN UPON SENSING SMOKE.
	FIRE ALARM CONNECTION TO HOOD EXTINGUISHING SYSTEM. SEE MECHANICAL DRAWINGS FOR LOCATION. INTERLOCK WITH SHUNT TRIP BREAKERS FOR EQUIPMENT UNDER HOOD.
<b>TELEPHONE/DATA SYSTEMS</b>	
	PLYWOOD BACKBOARD "T.B." INDICATES TELECOMMUNICATIONS BOARD.
	COMBINATION VOICE/DATA OUTLET, +18" TO CENTER LINE OF OUTLET UNLESS NOTED OTHERWISE. STUB UP 1" TO CEILING SPACE ABOVE.
	DATA OUTLET, +18" TO CENTER LINE OF OUTLET UNLESS NOTED OTHERWISE. STUB UP 1" TO CEILING SPACE ABOVE.

**NOTE:**

- ALL MOUNTING HEIGHTS ARE FROM FINISHED FLOOR TO CENTERLINE OF OUTLET OR DEVICE.
- ALL RECEPTACLES SHALL BE TAMPER RESISTANT (TYPE "TR").

# GM Architect

102 Sammy Court  
WARNER ROBINS, GEORGIA 31088  
gmarch@outlook.com  
(478)-365-8976

ARCHITECT

EDC  
ELECTRICAL DESIGN CONSULTANTS  
ELECTRICAL ENGINEERS  
MACON OFFICE: PROJECT # M25120  
edc1973.com

CONSULTANT  
GEORGIA PROFESSIONAL ENGINEERS  
WILEY H. MOSE

LEGEND, SCHEDULES AND DETAILS  
New Facility  
Hampton Travel Center  
Hampton, Georgia 30228  
Highway 81 / Parcel # 019-02031002

JOB NO.: 02502  
DRAWN BY: AM  
CHECKED BY: JM  
DESCRIPTION: ISSUE FOR CONSTRUCTION  
DATE: 12.17.25  
DESCRIPTION: DATE:  
DESCRIPTION: DATE:  
DESCRIPTION: DATE:  
REVISIONS:  
1 03.13.26  
2  
3  
4  
5  
6  
7

THESE DRAWINGS ARE THE PROPERTY OF GMARCHITECT AND ARE NOT TO BE REPRODUCED OR REUSED WITHOUT PERMISSION AND CREDIT.  
COPYRIGHT: © 2025

SHEET

# E0.1

OF