

ARCHITECT

STAMP INVALID UNLESS SIGNED

EDC
ELECTRICAL DESIGN
CONSULTANTS
ELECTRICAL ENGINEERS
MACON OFFICE - PROJECT # EDC1973.COM

GEORGIA
REGISTERED PROFESSIONAL
ENGINEER
JEREMY H. MOSE

STAMP INVALID UNLESS SIGNED

CONSULTANT

RISER DIAGRAM, SCHEDULES AND DETAILS

New Facility
Hampton Travel Center

Hampton, Georgia 30228

Highway 81 / Parcel # 019-02031002

JOB NO.:	02502
DRAWN BY:	AM
CHECKED BY:	JM
DESCRIPTION:	ISSUE FOR CONSTRUCTION
DATE:	12.17.25
DESCRIPTION:	
DATE:	
DESCRIPTION:	
DATE:	
REVISIONS:	
1	03.13.26
2	
3	
4	
5	
6	
7	

THESE DRAWINGS ARE THE PROPERTY OF GMARCHITECT AND ARE NOT TO BE REPRODUCED OR REUSED WITHOUT PERMISSION AND CREDIT.
COPYRIGHT: © 2025

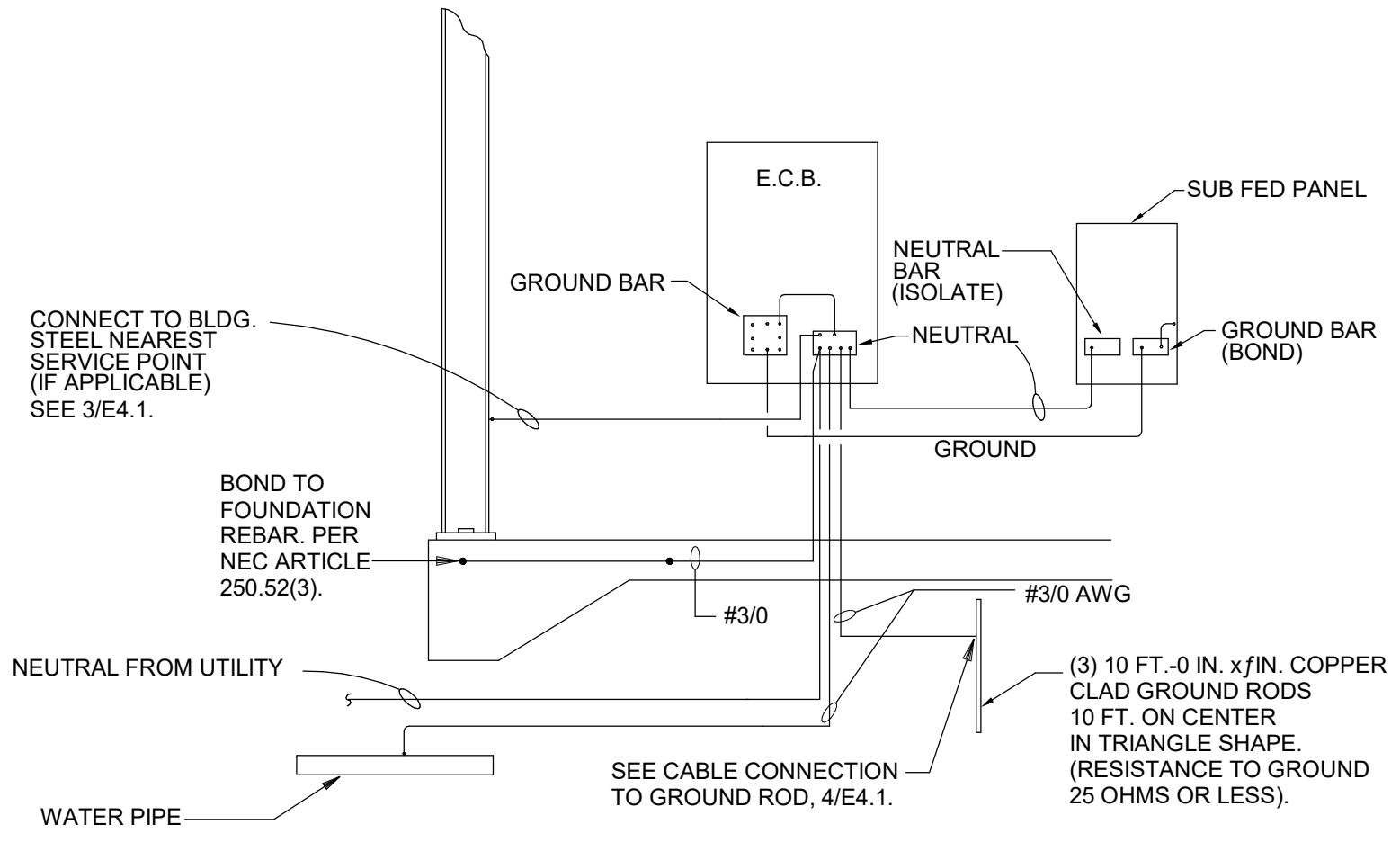
SHEET

E4.1

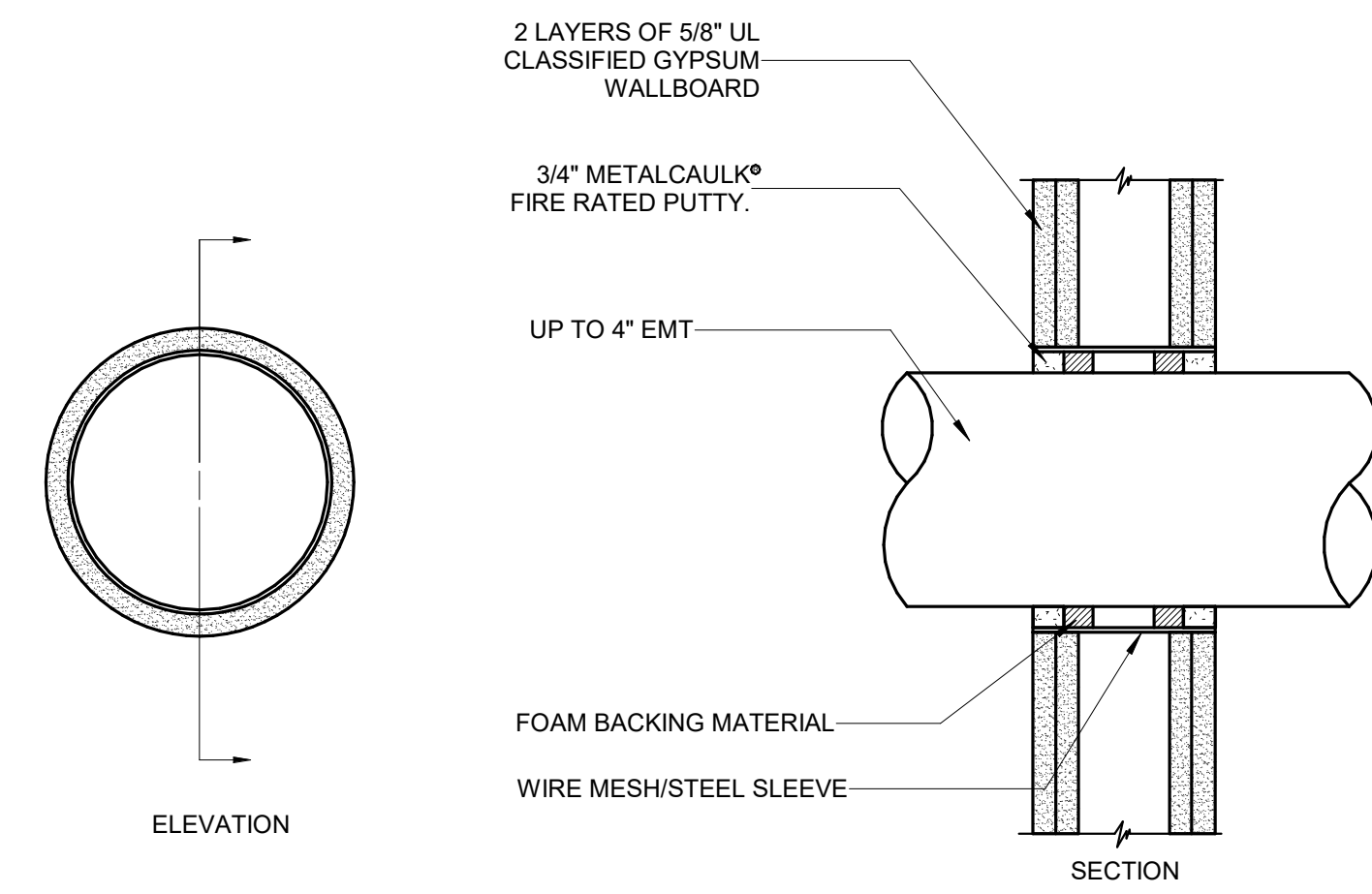
OF

KEYED NOTES:

- 1 3 SETS: 4#400MCM, 3"C.
- 2 CT CAN AND METER BASE SUPPLIED BY POWER COMPANY AND INSTALLED BY CONTRACTOR. CONTRACTOR TO PAY ALL COSTS FOR METER BASE AND SERVICE SHOWN.
- 3 1000A/3P/3R SERVICE ENTRANCE RATED SHUNT TRIP ENCLOSED CIRCUIT BREAKER. 38,280 AIC RATING MINIMUM.
- 4 SURFACE MOUNTED NEMA 3R KNOX REMOTE POWER BOX PRODUCT NUM. "MKT-KBSPEC-0169". CONNECT TO 1000A, (208/120V), 3PH ENCLOSED CIRCUIT BREAKER WITH SHUNT TRIP TO REMOTELY DISCONNECT POWER.
- 5 3 SETS: 4#400MCM, #3/0G, 3"C.
- 6 4#3, #8G, 1 1/4"C.
- 7 RED MUSHROOM SHUNT TRIP KILL SWITCH WITH CLEAR LEXIAN COVER AT FRONT COUNTER. SEE E3.1 FOR LOCATION.
- 8 4#4/0, #4G, 2 1/2"C.
- 9 4#600, #3G, 4"C.

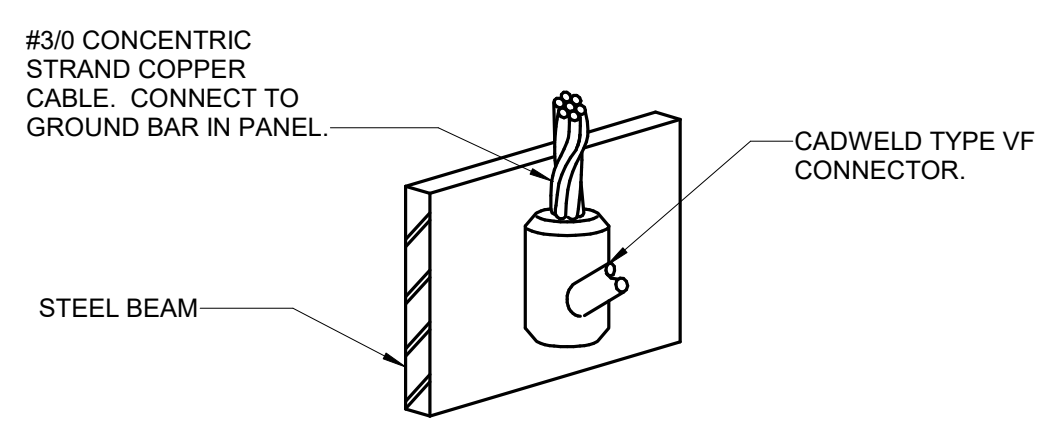


2 **DETAIL - SERVICE GROUNDING**
E4.1 NO SCALE

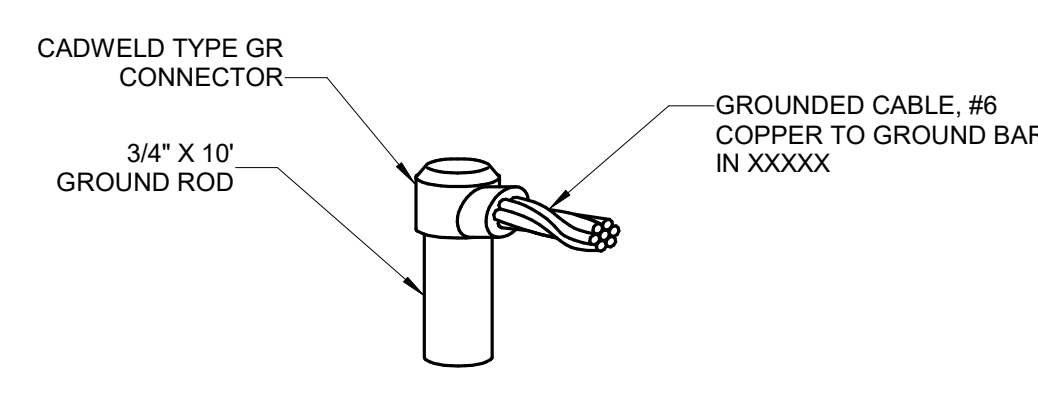


6 **DETAIL - GYPSUM WALLBOARD PENETRATION**
E4.1 NO SCALE

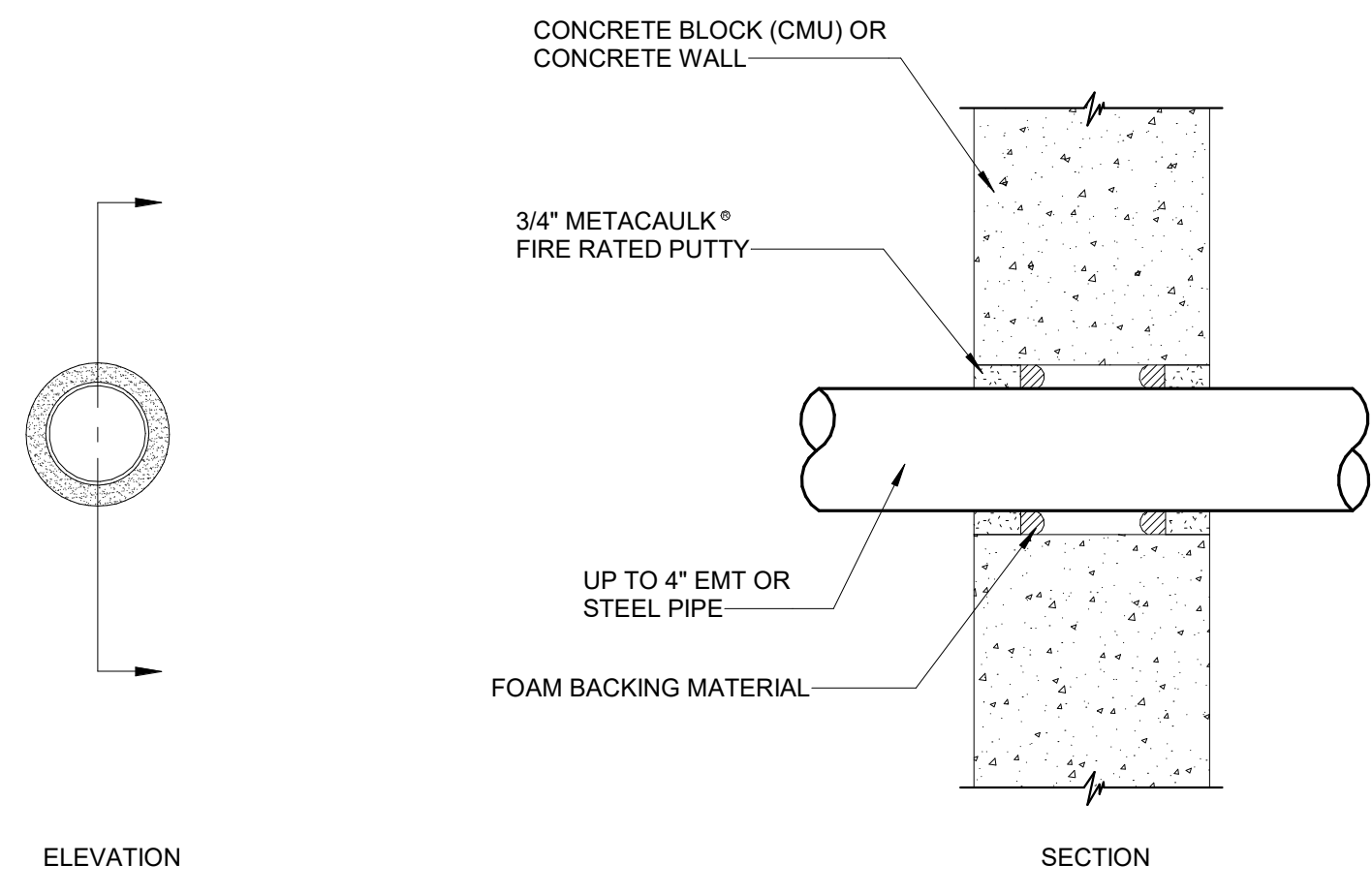
NOTE: WHERE CONDUIT IS USED AS A SLEEVE FOR ROUTING LOW VOLTAGE CABLES THROUGH A RATED WALL, LOCATE CONDUCTORS IN CENTER OF SLEEVE AND FILL OPENING WITH FIRE RATED PUTTY AT EACH END OF SLEEVE.



3 **DETAIL - CABLE CONNECTION TO STEEL BEAM**
E4.1 NO SCALE

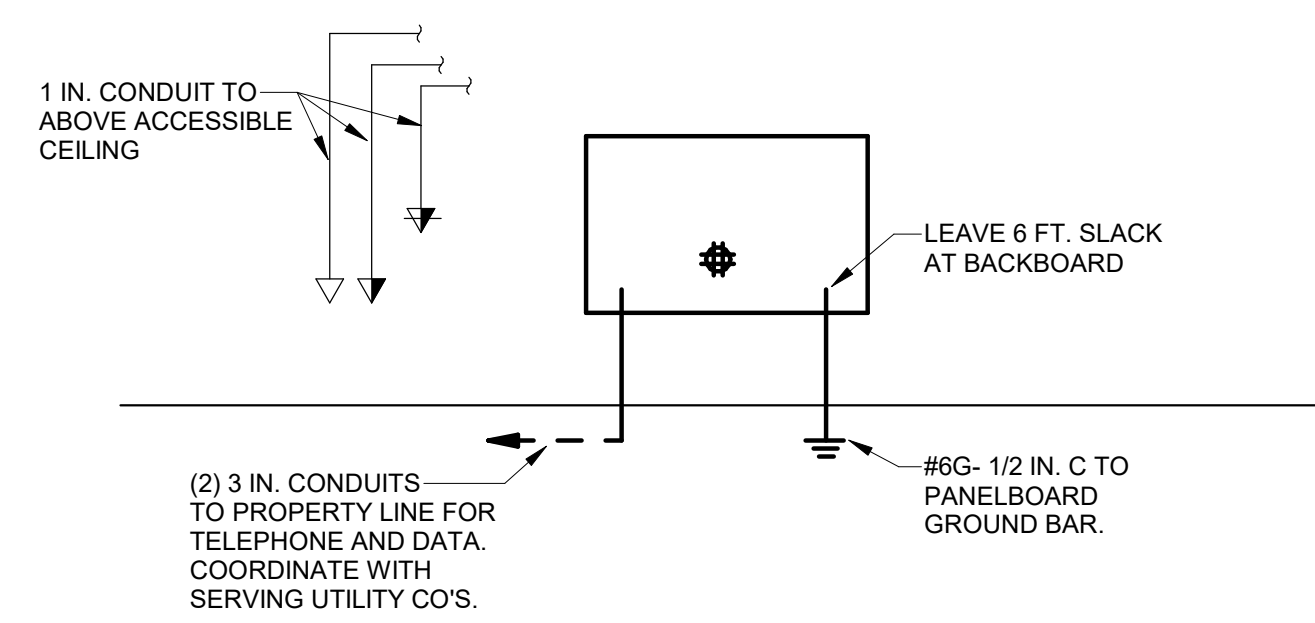


4 **DETAIL - CABLE CONNECTION TO GROUND ROD**
E4.1 NO SCALE

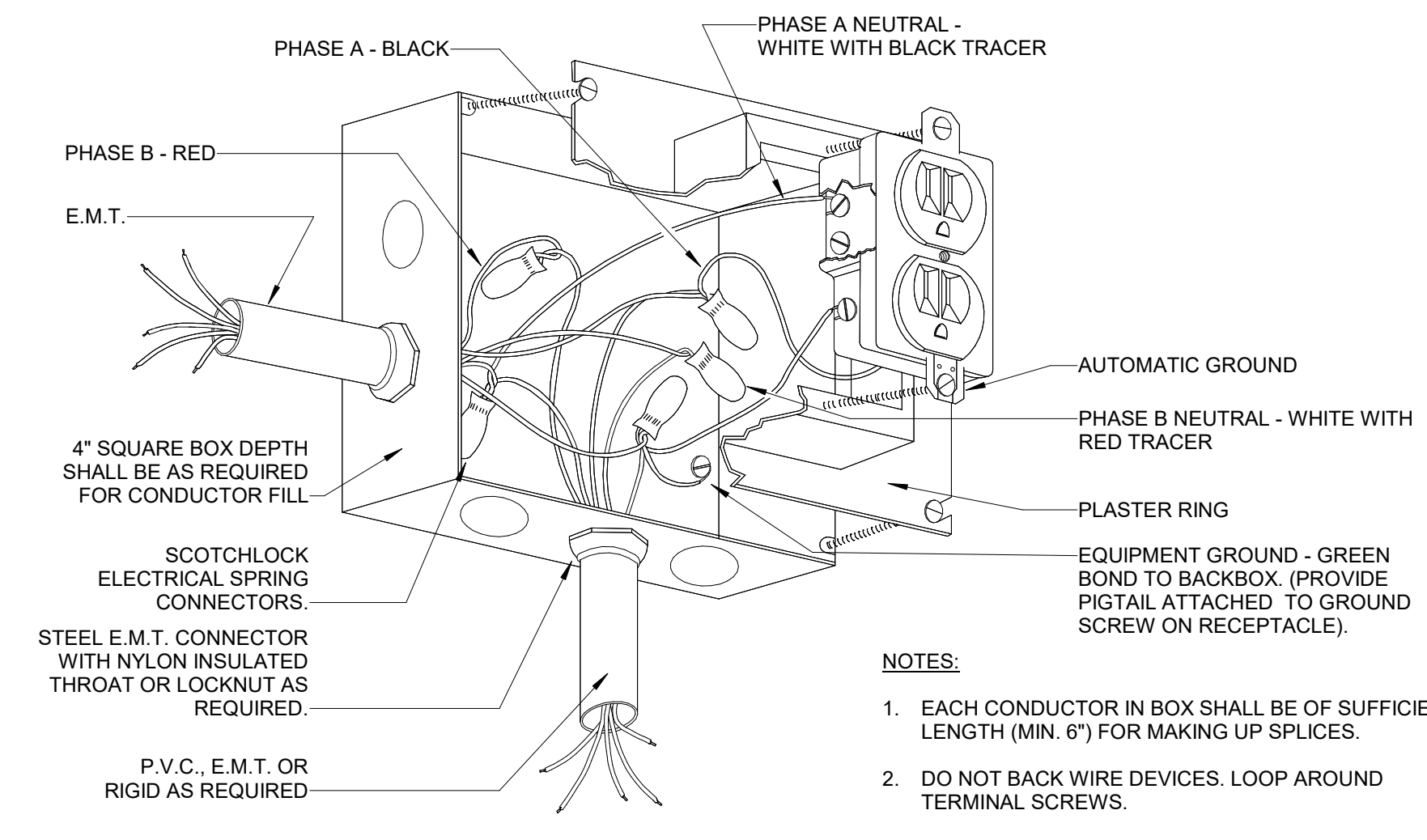


7 **DETAIL - CONCRETE WALL PENETRATION**
E4.1 NO SCALE

NOTE: WHERE CONDUIT IS USED AS A SLEEVE FOR ROUTING LOW VOLTAGE CABLES THROUGH A RATED WALL, LOCATE CONDUCTORS IN CENTER OF SLEEVE AND FILL OPENING WITH FIRE RATED PUTTY AT EACH END OF SLEEVE.

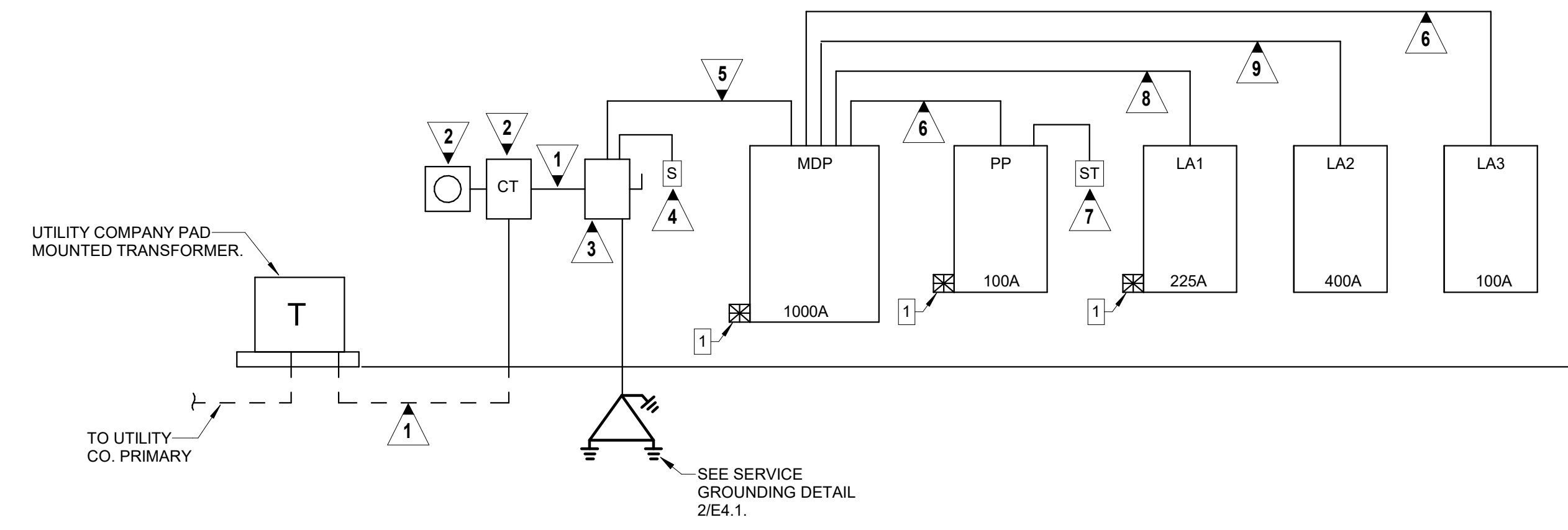


5 **DETAIL - SERVICE GROUNDING**
E4.1 NO SCALE



8 **DETAIL - RECEPTACLE CONNECTION**
E4.1 NO SCALE

- NOTES:
1. EACH CONDUCTOR IN BOX SHALL BE OF SUFFICIENT LENGTH (MIN. 6") FOR MAKING UP SPLICES.
 2. DO NOT BACK WIRE DEVICES. LOOP AROUND TERMINAL SCREWS.
 3. FACE OF PLASTER RING SHALL BE FLUSH WITH WALL.



TVSS
1 MAIN SERVICE PANEL. PROVIDE EXTERNALLY MOUNTED 200KA PER MODE TVSS, WITH BREAKER FOR DISCONNECT MEANS AND FACTORY WIRED CONNECTIONS. 5/4, 1-1/4" CONDUIT FOR CONNECTION FROM BREAKER TO TVSS MODULE

1 **POWER RISER DIAGRAM**
E4.1 NO SCALE

C:\Users\rd2105\Documents\M25120_Hampton TC Elec R26L_AnonEDC.vit 3/10/2025 9:02:37 AM