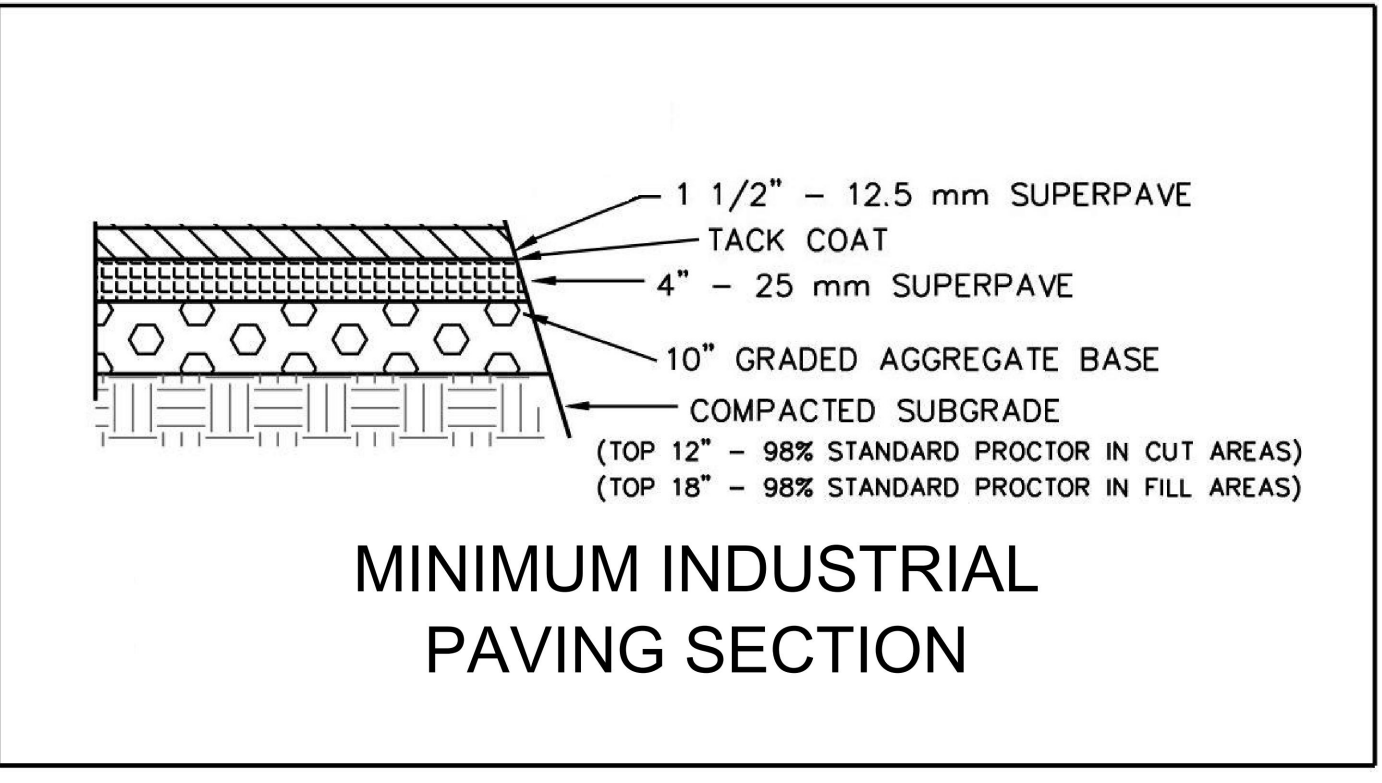
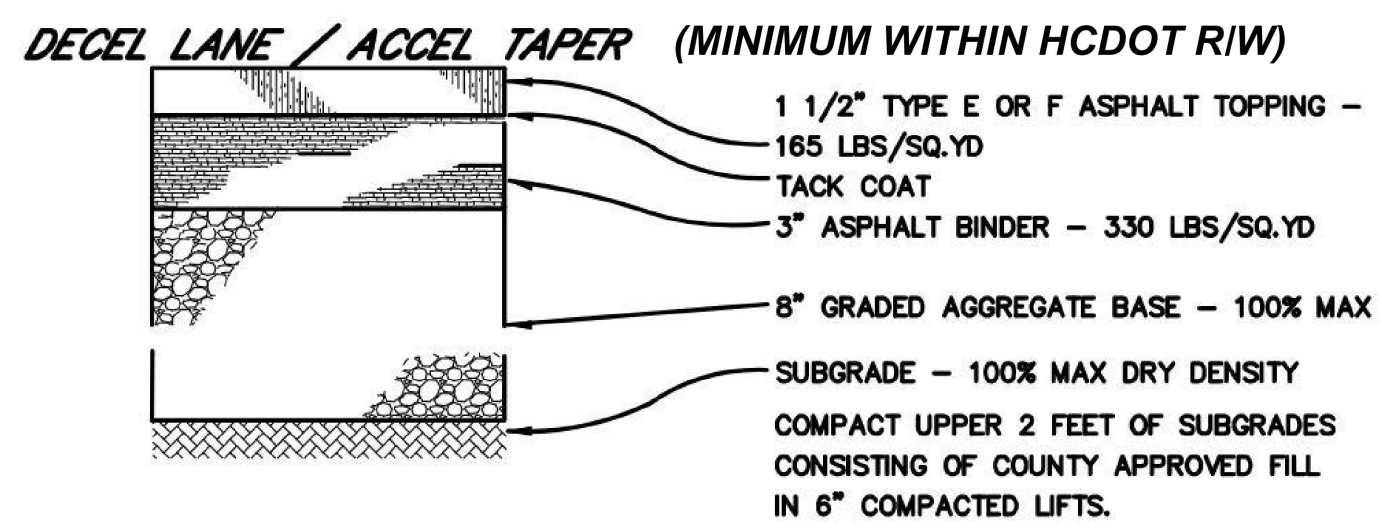


This Detail Replaces Ga Standard 9031W
Guidelines For Usage On Metric Projects

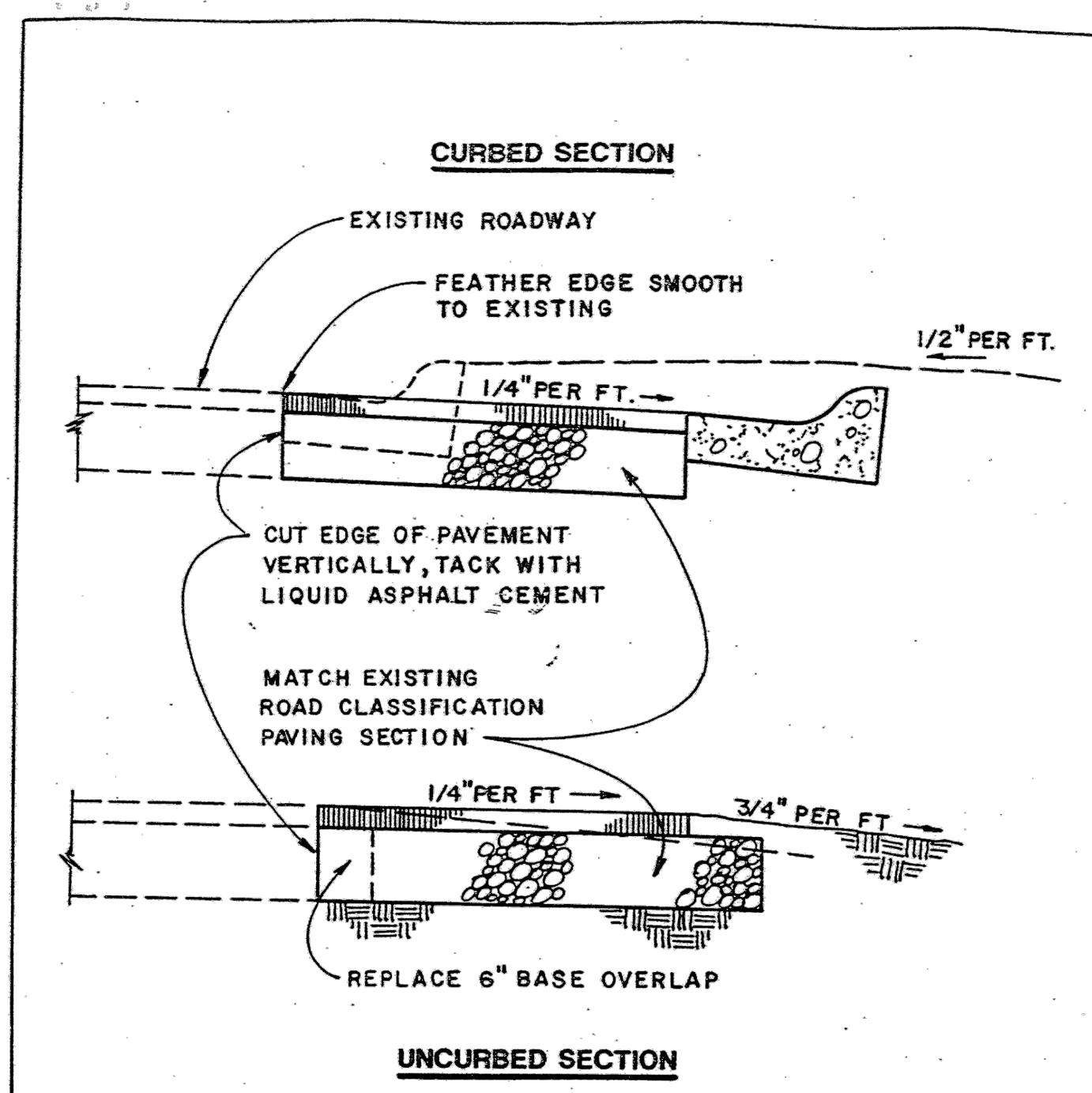
When these details are incorporated into plans and or projects that are being prepared or constructed in metric units, exact or precise conversion to metric units is not required. The dimensions shown that are in feet and inches may be converted to corresponding metric units using the following "Rounded-Off" conversion factors: 1" = 25mm, 6" = 150mm, and 12" or 1'-00mm. All measurement notes that refer to linear feet and square yards shall be interpreted to mean linear meters and square meters.

NO.	DESCRIPTION	DATE	REVISION
1	REVISED PER OR PARALLEL	9-18-03	
2	REV. SLOPES TO PRESENT	6-18-03	
3	REV. SLOPES TO PRESENT	6-18-03	
4	REV. SLOPES TO PRESENT	6-18-03	
5	REV. SLOPES TO PRESENT	6-18-03	
6	REV. SLOPES TO PRESENT	6-18-03	
7	REV. SLOPES TO PRESENT	6-18-03	
8	REV. SLOPES TO PRESENT	6-18-03	
9	REV. SLOPES TO PRESENT	6-18-03	
10	REV. SLOPES TO PRESENT	6-18-03	
11	REV. SLOPES TO PRESENT	6-18-03	
12	REV. SLOPES TO PRESENT	6-18-03	
13	REV. SLOPES TO PRESENT	6-18-03	
14	REV. SLOPES TO PRESENT	6-18-03	
15	REV. SLOPES TO PRESENT	6-18-03	
16	REV. SLOPES TO PRESENT	6-18-03	
17	REV. SLOPES TO PRESENT	6-18-03	
18	REV. SLOPES TO PRESENT	6-18-03	
19	REV. SLOPES TO PRESENT	6-18-03	
20	REV. SLOPES TO PRESENT	6-18-03	
21	REV. SLOPES TO PRESENT	6-18-03	
22	REV. SLOPES TO PRESENT	6-18-03	
23	REV. SLOPES TO PRESENT	6-18-03	
24	REV. SLOPES TO PRESENT	6-18-03	
25	REV. SLOPES TO PRESENT	6-18-03	
26	REV. SLOPES TO PRESENT	6-18-03	
27	REV. SLOPES TO PRESENT	6-18-03	
28	REV. SLOPES TO PRESENT	6-18-03	
29	REV. SLOPES TO PRESENT	6-18-03	
30	REV. SLOPES TO PRESENT	6-18-03	
31	REV. SLOPES TO PRESENT	6-18-03	
32	REV. SLOPES TO PRESENT	6-18-03	
33	REV. SLOPES TO PRESENT	6-18-03	
34	REV. SLOPES TO PRESENT	6-18-03	
35	REV. SLOPES TO PRESENT	6-18-03	
36	REV. SLOPES TO PRESENT	6-18-03	
37	REV. SLOPES TO PRESENT	6-18-03	
38	REV. SLOPES TO PRESENT	6-18-03	
39	REV. SLOPES TO PRESENT	6-18-03	
40	REV. SLOPES TO PRESENT	6-18-03	
41	REV. SLOPES TO PRESENT	6-18-03	
42	REV. SLOPES TO PRESENT	6-18-03	
43	REV. SLOPES TO PRESENT	6-18-03	
44	REV. SLOPES TO PRESENT	6-18-03	
45	REV. SLOPES TO PRESENT	6-18-03	
46	REV. SLOPES TO PRESENT	6-18-03	
47	REV. SLOPES TO PRESENT	6-18-03	
48	REV. SLOPES TO PRESENT	6-18-03	
49	REV. SLOPES TO PRESENT	6-18-03	
50	REV. SLOPES TO PRESENT	6-18-03	
51	REV. SLOPES TO PRESENT	6-18-03	
52	REV. SLOPES TO PRESENT	6-18-03	
53	REV. SLOPES TO PRESENT	6-18-03	
54	REV. SLOPES TO PRESENT	6-18-03	
55	REV. SLOPES TO PRESENT	6-18-03	
56	REV. SLOPES TO PRESENT	6-18-03	
57	REV. SLOPES TO PRESENT	6-18-03	
58	REV. SLOPES TO PRESENT	6-18-03	
59	REV. SLOPES TO PRESENT	6-18-03	
60	REV. SLOPES TO PRESENT	6-18-03	
61	REV. SLOPES TO PRESENT	6-18-03	
62	REV. SLOPES TO PRESENT	6-18-03	
63	REV. SLOPES TO PRESENT	6-18-03	
64	REV. SLOPES TO PRESENT	6-18-03	
65	REV. SLOPES TO PRESENT	6-18-03	
66	REV. SLOPES TO PRESENT	6-18-03	
67	REV. SLOPES TO PRESENT	6-18-03	
68	REV. SLOPES TO PRESENT	6-18-03	
69	REV. SLOPES TO PRESENT	6-18-03	
70	REV. SLOPES TO PRESENT	6-18-03	
71	REV. SLOPES TO PRESENT	6-18-03	
72	REV. SLOPES TO PRESENT	6-18-03	
73	REV. SLOPES TO PRESENT	6-18-03	
74	REV. SLOPES TO PRESENT	6-18-03	
75	REV. SLOPES TO PRESENT	6-18-03	
76	REV. SLOPES TO PRESENT	6-18-03	
77	REV. SLOPES TO PRESENT	6-18-03	
78	REV. SLOPES TO PRESENT	6-18-03	
79	REV. SLOPES TO PRESENT	6-18-03	
80	REV. SLOPES TO PRESENT	6-18-03	
81	REV. SLOPES TO PRESENT	6-18-03	
82	REV. SLOPES TO PRESENT	6-18-03	
83	REV. SLOPES TO PRESENT	6-18-03	
84	REV. SLOPES TO PRESENT	6-18-03	
85	REV. SLOPES TO PRESENT	6-18-03	
86	REV. SLOPES TO PRESENT	6-18-03	
87	REV. SLOPES TO PRESENT	6-18-03	
88	REV. SLOPES TO PRESENT	6-18-03	
89	REV. SLOPES TO PRESENT	6-18-03	
90	REV. SLOPES TO PRESENT	6-18-03	
91	REV. SLOPES TO PRESENT	6-18-03	
92	REV. SLOPES TO PRESENT	6-18-03	
93	REV. SLOPES TO PRESENT	6-18-03	
94	REV. SLOPES TO PRESENT	6-18-03	
95	REV. SLOPES TO PRESENT	6-18-03	
96	REV. SLOPES TO PRESENT	6-18-03	
97	REV. SLOPES TO PRESENT	6-18-03	
98	REV. SLOPES TO PRESENT	6-18-03	
99	REV. SLOPES TO PRESENT	6-18-03	
100	REV. SLOPES TO PRESENT	6-18-03	



Supplemental information for provided HCDOT ROW paving detail. Min. Industrial section is 26' wide asphalt, 30' bc to bc. 24 x 6-inch concrete "L" back curb, 18-inch gutter, 6-inch high; 6-inch curb width. Base 10-inch base (graded aggregate), compacted to 100 percent maximum dry density. Binder 4-inch 25 mm superpave mix with hydrated lime (Level 1), 440 pounds per square yard (or 2 2-inch lifts of 19 mm superpave mix with hydrated lime (Level 1), 220 pounds per square yard, per lift). Tack 0.04 — 0.06 GAL/YD. Surface Course Plant Mix 1 1/2-inch 12.5 mm superpave mix with hydrated lime (Level 1) asphalt topping, 165 pounds per square yard.

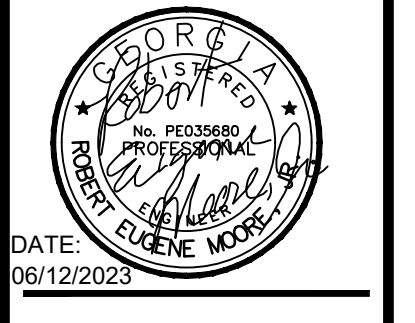
Decel lane for trucks has a minimum paving section of 10" GAB, 4" base (1 lift of 25mm SP or 2 lifts of binder (19mm SP)), and 1.5" of topping (12.5 mm SP or 9.5mm SP, Tp 2).



NOTE: CONCRETE SURFACING MAY BE USED ON SELECTED APPLICATIONS WHERE APPROVED BY THE COUNTY ENGINEER.

HENRY COUNTY DEPARTMENT OF COMMUNITY DEVELOPMENT	ROAD WIDENING CONSTRUCTION STANDARD	DATE: 3/88	STANDARD NO.
		APPROVED: D.W.S.	3.9.1

MOORE CIVIL
CONSULTING ENGINEER
ROBERT@MOORECIVIL.COM
706.224.1629



DATE: 06/12/2023

This document, together with the concepts and designs presented herein, as an instrument of service, is intended only for the specific purpose and client for which it was prepared. Reuse of and improper reliance on this document without written authorization by Moore Civil Consulting, Inc. shall be without liability to Moore Civil Consulting, Inc. Copyright Moore Civil Consulting, Inc. 2018

24 HOUR CONTACT
MEHULKUMAR GAJJAR
404-483-2157

OWNER INFORMATION:
HANSA PATEL
908 DONAGAL DR
LOCUST GROVE, GA, 30248
404-483-2157

REVISIONS:

DATE	DESCRIPTION
6/21/22	GRADING PLAN
10/21/22	1st LDP SUBMITTAL
10/21/22	1ST GDOT SUBMITTAL
01/30/2023	NEW LAYOUT
02/21/2023	NEW LAYOUT
05/09/2023	2nd LDP SUBMITTAL
05/09/2023	2nd GDOT SUBMITTAL
12/19/2023	3rd GDOT SUBMITTAL
12/19/2023	3rd LDP SUBMITTAL
03/05/2023	4rd LDP SUBMITTAL
03/05/2023	3rd GDOT SUBMITTAL
04/24/2024	6TH GDOT SUBMITTAL
05/21/2024	7TH GDOT SUBMITTAL
12/12/2024	8TH GDOT SUBMITTAL
03/06/2025	5TH LDP SUBMITTAL
07/03/2025	6TH LDP SUBMITTAL

HWY 81 C-STORE
HWY 81
HAMPTON, GA 30228

SHEET TITLE:
CONSTRUCTION
DETAILS

SHEET NUMBER:
C.830