

LIGHTING FIXTURE SCHEDULE

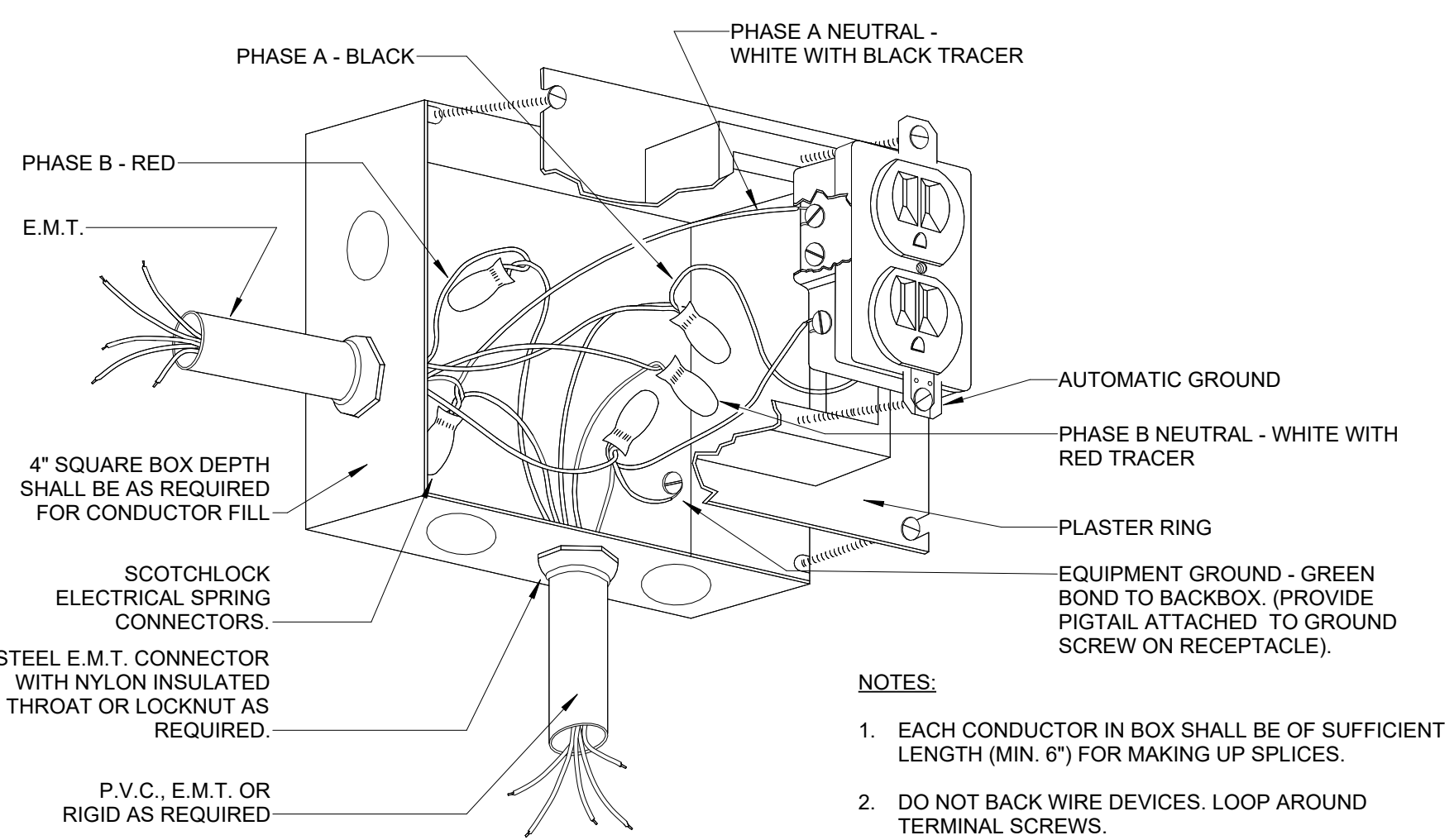
A	6 IN. ROUND COMMERCIAL GRADE CYLINDER, PENDANT MOUNTED, COORDINATE COLOR AND STEM LENGTH WITH ARCHITECT. WIDE DISTRIBUTION, 0-10V DIMMING STANDARD. PROVIDE MOUNTING BRACKET OR CANOPY AS REQUIRED. LAMPS: LED, 2500 LUMENS, 29 WATTS, 3000 DEGREE K DRIVER: UNV, VOLT	HALO COMMERCIAL "HCO" SER., LITHONIA "LDN" SER., RAYON "REL" SER., OR APPROVED EQUAL.
B	2 FT. X 4 FT. RECESSED LED TROFFER, A12-125 LENS, ALUMINUM DOOR FRAME WITH DOOR FRAME GASKETING, STANDARD 0-10 DIMMING. LAMPS: LED, 6000 LUMENS, 49 WATTS, 3000 DEGREE K DRIVER: UNV, VOLT	LITHONIA "GLT" SER., COLUMBIA "LJT" SER., METALUX "GR" SER., OR EQUAL BY H.E. WILLIAMS
C	2 FT. X 4 FT. ECONOMY RECESSED LOW PROFILE ARCHITECTURAL TROFFER WITH ACRYLIC CENTER LENS AND MATTE WHITE POWDER PAINT REFLECTOR, STANDARD 0-10 DIMMING. LAMPS: LED, 6000 LUMENS, 50 WATTS, 3000 DEGREE K DRIVER: UNV, VOLT	LITHONIA "STAK" SER., METALUX "ACHIEVA" SER., COLUMBIA "CCL" SER., H.E. WILLIAMS "FT" SER.
D	2 FT. X 2 FT. ECONOMY RECESSED LOW PROFILE ARCHITECTURAL TROFFER WITH ACRYLIC CENTER LENS AND MATTE WHITE POWDER PAINT REFLECTOR, STANDARD 0-10 DIMMING. LAMPS: LED, 4000 LUMENS, 34 WATTS, 3000 DEGREE K DRIVER: UNV, VOLT	LITHONIA "STAK" SER., METALUX "ACHIEVA" SER., COLUMBIA "CCL" SER., H.E. WILLIAMS "FT" SER.
OA	ARCHITECTURAL WALL PACK WITH DIE-CAST ALUMINUM HOUSING, TYPE 4 DISTRIBUTION, WET LOCATION LISTED. COORDINATE FINISH WITH OWNER/ARCHITECT. COORDINATE MOUNTING HEIGHT WITH ARCHITECTURAL. LAMPS: LED, 5300 LUMENS, 47 WATTS, 4000 DEGREE K DRIVER: UNV, VOLT	LITHONIA "WEDGE" SER., MCGRAW-EDISON "ST" SER., BEACON "TRP" SER., GARDCO "101L" SER.
OB	ARCHITECTURAL WALL PACK WITH DIE-CAST ALUMINUM HOUSING, TYPE 4 DISTRIBUTION, WET LOCATION LISTED. COORDINATE FINISH WITH OWNER/ARCHITECT. COORDINATE MOUNTING HEIGHT WITH ARCHITECTURAL. LAMPS: LED, 3000 LUMENS, 32 WATTS, 4000 DEGREE K DRIVER: UNV, VOLT	LITHONIA "WEDGE" SER., MCGRAW-EDISON "ST" SER., BEACON "TRP" SER., GARDCO "101L" SER.
EX	LED INTEGRATED THERMOPLASTIC COMBO EXIT/EMERGENCY, IMPACT RESISTANT HOUSING, TOP END OR BACK MOUNTING STANDARD, UNIVERSAL FIELD SELECTABLE SINGLE OR DOUBLE FACE, FIELD SELECTABLE RED OR GREEN ILLUMINATION, FIELD SELECTABLE CHEVRONS, WHITE / BLACK ENCLOSURE. (PROVIDE 90 MIN. BACK-UP BATTERY) LAMPS: LED (2), 3 WATTS DRIVER: UNV, VOLT	SURE-LITES "LX-C" SER., LITHONIA "LHOM" SER., COMPASS "CC" SER., OR EQUAL BY BEGHELLI
EM	LED 2 HEAD EMERGENCY UNIT, ROUND HEAD, LOW PROFILE CONTEMPORARY DESIGN WITH THERMOPLASTIC HOUSING, IMPACT RESISTANT, DAMP LOCATION LISTED. (PROVIDE 90 MIN. BACK-UP BATTERY) LAMPS: LED (2), 6 WATTS DRIVER: UNV, VOLT	LITHONIA "ELMAL" SER., LIGHT ALARMS "LCA" SER., SURELITES "SELSP" OR APPROVED EQUAL
EG	EXTERIOR ARCHITECTURAL, STYLED LOW PROFILE LED EMERGENCY LIGHTING UNIT, SELF DIAGNOSTICS STANDARD, WET LOCATION WITH FULLY GASKETED HOUSING AND -20C TO 50C OPERATION, PRISMATIC POLYCARB REFRACTOR, BRONZE / BLACK SELECTED BY ARCHITECT. (PROVIDE 90 MIN. BACK-UP BATTERY) LAMPS: LED, 3 WATTS DRIVER: UNV, VOLT	LITHONIA "AFO" SER., MULE "MAKO" SER., SPITZER "EWS" SER., COMPASS "CJW" SER., H.E. WILLIAMS "EMER" SER.

- NOTES:
- CONTRACTOR TO VERIFY ALL VOLTAGES, GRID AND CEILING TYPES WITH THE ARCHITECT AND COORDINATE FIXTURE DIMENSION SIZE TO ENSURE A PROPER FIT IN ALL CEILING TYPES PRIOR TO ORDERING.
 - ALL LUMENS LISTED ARE DELIVERED LUMENS. ALL EQUALS TO SPECIFIED FIXTURES SHALL NOT BE ANY LOWER THAN 5% OF SPECIFIED LUMENS. WATTAGE SHALL NOT BE HIGHER THAN 15% OF SPECIFIED WATTAGE.
 - LISTING OF MANUFACTURERS DOES NOT EQUAL AUTOMATIC APPROVAL. ALL CHARACTERISTICS NOTED IN DESCRIPTION SECTION MUST BE MET IN ORDER TO BE APPROVED. WHERE VENDOR/REP. DOES NOT HAVE ONE MANUFACTURER LISTED, PRIOR APPROVAL IS REQUIRED TO BE SUBMITTED TO ENGINEER TEN (10) DAYS PRIOR TO BID.
 - PROVIDE UNSWITCHED HOT TO EXIT SIGNS, EMERGENCY FLOOD LIGHTS AND EXTERIOR BUILDING EGRESS LIGHTING.

LEGEND

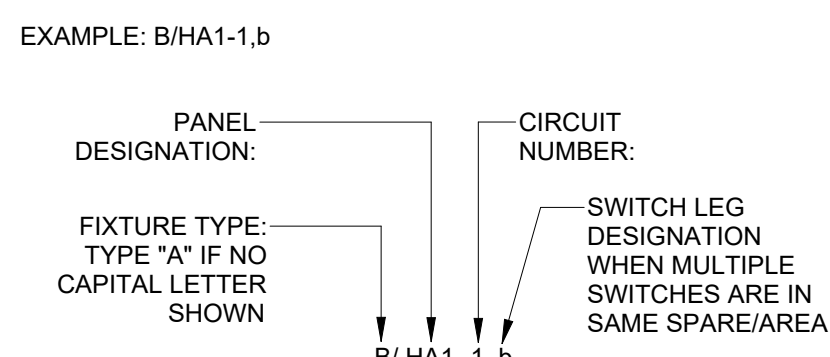
LIGHTING AND POWER	
	CONDUIT RUN CONCEALED ABOVE CEILING OR IN WALL CONTAINING 3 NUMBER 12 CONDUCTORS UNLESS SHOWN OTHERWISE. HASH MARKS, IF SHOWN, INDICATE QUANTITY OF NUMBER 12 CONDUCTORS. WHERE DRAWING SPACE PROHIBITS HASH MARKS BEING SHOWN REFER TO CIRCUIT NUMBERS AND PROVIDE REQUIRED NUMBER OF CONDUCTORS PER CIRCUIT TYPE.
	CONDUIT RUN CONCEALED IN OR BELOW FLOOR SLAB, OR UNDERGROUND.
	HOMERUN TO PANELBOARD, LETTER OR LETTERS INDICATE PANELBOARDS, NUMBERS INDICATE CIRCUIT NUMBERS.
	EXPOSED CONDUIT RUN.
	L.E.D. LIGHTING FIXTURE, SEE FIXTURE SCHEDULE FOR DIMENSIONS AND MOUNTING TYPE.
	L.E.D. FIXTURE, SURFACE OR RECESSED MOUNTED. SEE FIXTURE SCHEDULE FOR DIMENSIONS AND MOUNTING TYPE.
	L.E.D. LIGHTING FIXTURE, SURFACE WALL BRACKET MOUNTED. MOUNTING HEIGHT AS NOTED.
	L.E.D. LIGHTING FIXTURE, SURFACE WALL BRACKET MOUNTED. MOUNTING HEIGHT AS NOTED. "F" INDICATES THE CIRCUIT NUMBER.
	EXIT LIGHT.
	EMERGENCY PACK FIXTURE.
	DUPLEX CONVENIENCE OUTLET, +18" TO CENTER LINE OF OUTLET UNLESS OTHERWISE NOTED. "F" INDICATES THE CIRCUIT NUMBER.
	DUPLEX CONVENIENCE OUTLET, GFI TYPE. +18" TO CENTER LINE UNLESS OTHERWISE NOTED. "WP" WHERE SHOWN INDICATES WEATHER-RESISTANT DEVICE WITH METAL IN-USE WEATHERPROOF COVER.
	DUPLEX CONVENIENCE OUTLET, GFI TYPE. MOUNTED ABOVE COUNTER AT +46" TO CENTERLINE OF RECEPTACLE UNLESS NOTED OTHERWISE.
	QUADRUPLEX RECEPTACLE, +18" TO CENTER LINE OF OUTLET UNLESS OTHERWISE NOTED.
	SINGLE POLE TOGGLE SWITCH, +46" TO CENTER LINE MOUNTING HEIGHT.
	THREE OR FOUR WAY SWITCH AS INDICATED. +46" TO CENTER LINE MOUNTING HEIGHT.
	LED DECORA STYLE DIMMER WITH ROCKER ON/OFF SWITCH AND SLIDE DIMMER ON SIDE OF ROCKER. 0-10VDC CAPABLE THREE WAY DIMMER, +46" MOUNTING HEIGHT. LUTRON "DVA 0-10V" OR EQUAL BY LEVITON, WATTSTOPPER, HUBBELL, OR COOPER. (NO ADDITIONAL POWER PACK REQUIRED). DIVISION 25 SHALL PROVIDE ALL ADDITIONAL CONDUCTORS TO ALL FIXTURES CONNECTED FOR A PROPER 0-10VDC OPERATION. GRAY FINISH.
	PANELBOARD, SEE SCHEDULE.
	DISCONNECT SWITCH, SIZE AS NOTED ON DRAWINGS. FUSED PER MANUFACTURER'S NAME PLATE DATA OF EQUIPMENT SERVED.
	SINGLE OR DOUBLE POLE, MINIMUM 20 AMP MOTOR RATED ENCLOSED SWITCH WITH "LOCK-OUT" OPTION. MOUNTED NEAR EQUIPMENT BEING SERVED.
	MOTOR.
OCCUPANCY SENSORS	
	SWITCH, WALL MOUNTED OCCUPANCY SENSOR (WATTSTOPPER PW-100 OR EQUAL), +46" TO CENTER LINE MOUNTING HEIGHT.
	DUAL TECHNOLOGY 360° OCCUPANCY SENSOR, CEILING MOUNTED. INFRARED/ULTRASONIC (WATTSTOPPER "DT" SERIES OR EQUAL). PROVIDE ALL NECESSARY COMPONENTS TO INSURE PROPER OPERATION (POWER PACKS, SLAVE PACKS, ETC.)

FIRE ALARM SYSTEM (FULL VOICE EVAC SYSTEM)	
	VOICE EVACUATION SIGNAL, SPEAKER, AND STROBE LIGHT, 80 IN. ABOVE FLOOR TO THE BOTTOM OF THE LENS. ("WP" INDICATES WEATHERPROOF.)
	STROBE LIGHT, 80 IN. ABOVE FLOOR TO THE BOTTOM OF THE LENS.
	FIRE ALARM PULL STATION, WALL MOUNTED 42 IN. ABOVE FLOOR.
	FIRE ALARM CONTROL PANEL, SURFACE WALL MOUNTED.
	FIRE ALARM VOICE EVAC PANEL, SURFACE WALL MOUNTED.
	HEAT DETECTOR, CEILING MOUNTED, 135 DEGREE OPERATION.
	SMOKE DETECTOR, CEILING MOUNTED, PHOTOELECTRIC TYPE.
	CARBON MONOXIDE DETECTOR, CEILING MOUNTED.
	FUEL GAS DETECTOR, CEILING MOUNTED, NFPA 715 (2023 EDITION) COMPLIANT. MUST BE SAME MANUFACTURER OR COMPATIBLE WITH MANUFACTURER OF FIRE ALARM SYSTEM.
	FIRE ALARM LCD REMOTE ALPHANUMERIC ANNUNCIATOR, FLUSH WALL MOUNTED.
	FIRE ALARM DUCT SMOKE DETECTOR LOCATED IN HVAC SUPPLY AIR DUCT. PROVIDE IN UNITS 2000 CFM AND GREATER. DETECTOR SHALL SHUT DOWN UNIT UPON ACTIVATION.
	TAMPER SWITCH, FURNISHED AND INSTALLED WITH SPRINKLER SYSTEM. INTERLOCK WITH FIRE ALARM SYSTEM BY ELECTRICAL.
	FLOW SWITCH, FURNISHED AND INSTALLED WITH SPRINKLER SYSTEM. INTERLOCK WITH FIRE ALARM SYSTEM BY ELECTRICAL.
	FIRE ALARM CONNECTION TO HOOD EXTINGUISHING SYSTEM. SEE MECHANICAL DRAWINGS FOR LOCATION.
	VOICE EVACUATION REMOTE MICROPHONE.
	POST INDICATOR VALVE.
	DOUBLE CHECK VALVE.
TELEPHONE / DATA SYSTEMS	
	PLYWOOD BACKBOARD "T.B." INDICATES TELECOMMUNICATIONS BOARD.
	DATA OUTLET, +18" TO CENTER LINE OF OUTLET UNLESS NOTED OTHERWISE. STUB UP 1" TO CEILING SPACE ABOVE. TWO DATA JACKS AND CABLES PER OUTLET.
	DATA OUTLET, +46" TO CENTER LINE OF OUTLET UNLESS NOTED OTHERWISE. STUB UP 1" TO CEILING SPACE ABOVE. TWO DATA JACKS AND CABLES PER OUTLET.
	DATA OUTLET (WIRELESS ACCESS POINT), +6" ABOVE ACCESSIBLE CEILING UNLESS NOTED OTHERWISE. WHERE THERE IS NO CEILING OR HIGH CEILING, WALL MOUNT AT +11" A.F.F.
	C.C.T.V. SYSTEM (RACEWAY, BOXES, AND PULL STRING ONLY)
	CCTV SYSTEM CAMERA, WALL MOUNTED. PROVIDE JUNCTION BOX AND 1 IN. C. WITH PULL STRING TO SECURITY EQUIPMENT LOCATION. COORDINATE MOUNTING HEIGHT WITH ARCHITECTURAL.



1
E1.1 **DETAIL - RECEPTACLE CONNECTION**
NO SCALE

LIGHT FIXTURE DESIGNATION DESCRIPTION



PROVIDE ALL BRANCH CIRCUIT CONDUIT/CONDUCTORS AS NECESSARY TO CONNECT ALL DEVICES SHOWN ON THE CIRCUIT. PROVIDE DEDICATED NEUTRALS FOR ALL CIRCUITS.

GENERAL NOTES:

- ALL FLUSH RECESSED OUTLET BOXES SHALL BE INSTALLED SUCH THAT FRONT EDGE OF THE BOX WILL NOT BE SET BACK OF THE FINISHED SURFACE MORE THAN 1/4 IN. IN ORDER TO COMPLY WITH N.E.C. 314-20. SUPPORT OF OUTLET BOX BY RECEPTACLE AND COVER/PLATE IS NOT ACCEPTABLE. CAREFULLY COORDINATE ROUGH-IN WITH BLOCK MASONS AND GROUT-IN CELL CONTAINING OUTLET BOX.
- DO NOT SCALE DRAWINGS TO LOCATE EQUIPMENT OR OUTLETS. MOUNTING HEIGHTS AS INDICATED ON THE DRAWINGS SHALL BE FROM THE FINISHED FLOOR TO THE CENTER LINE OF THE OUTLET BOX.
- THE ELECTRICAL DRAWINGS ARE ONLY A PART OF THE CONTRACT DOCUMENTS. ALL OF THE DRAWINGS AND SPECIFICATIONS MUST BE REVIEWED FOR THEIR INTERRELATIONSHIP AND REQUIRED COORDINATION BETWEEN DISCIPLINES.
- ALL RECEPTACLES SHALL BE TAMPER RESISTANT (TYPE "TR").