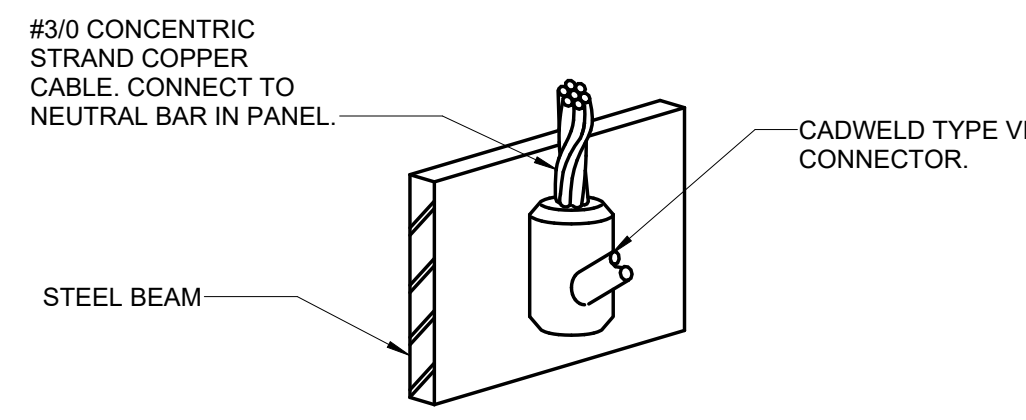
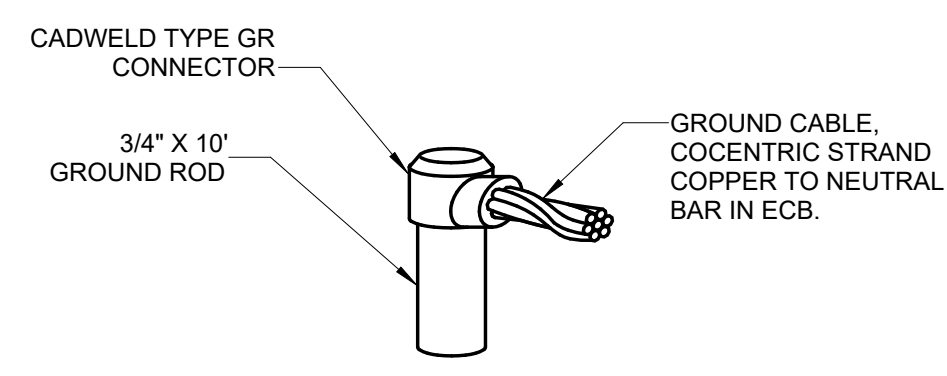


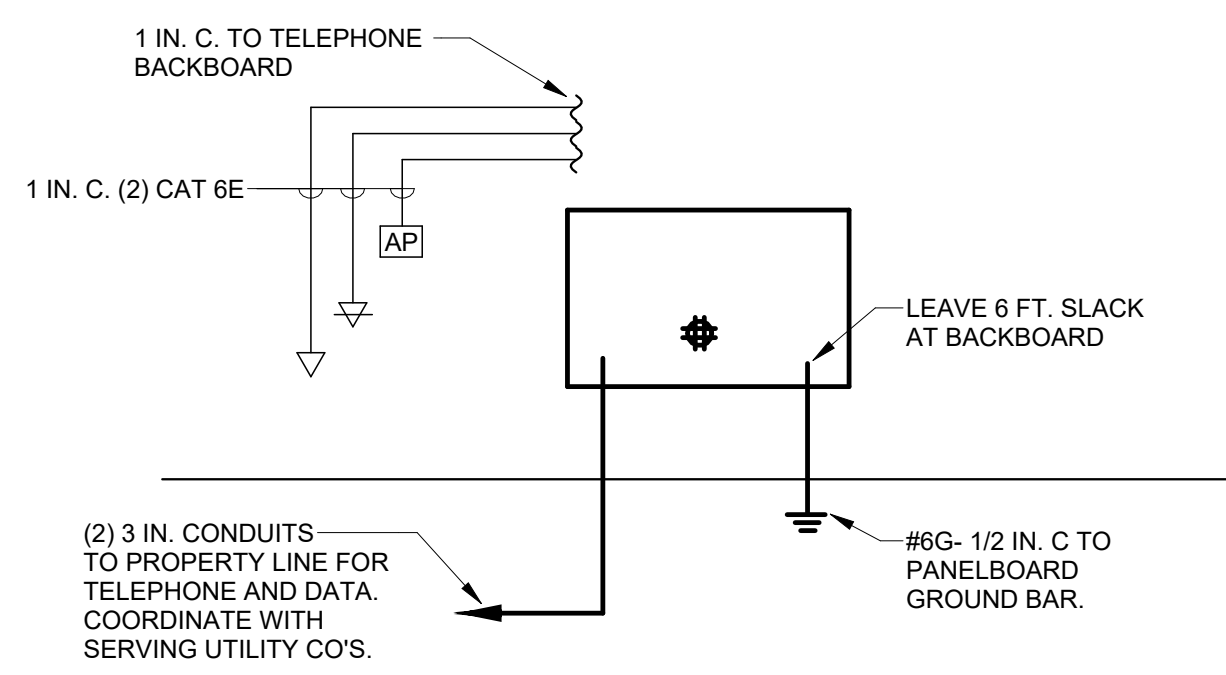
2 DETAIL - SERVICE GROUNDING
E4.1 NO SCALE



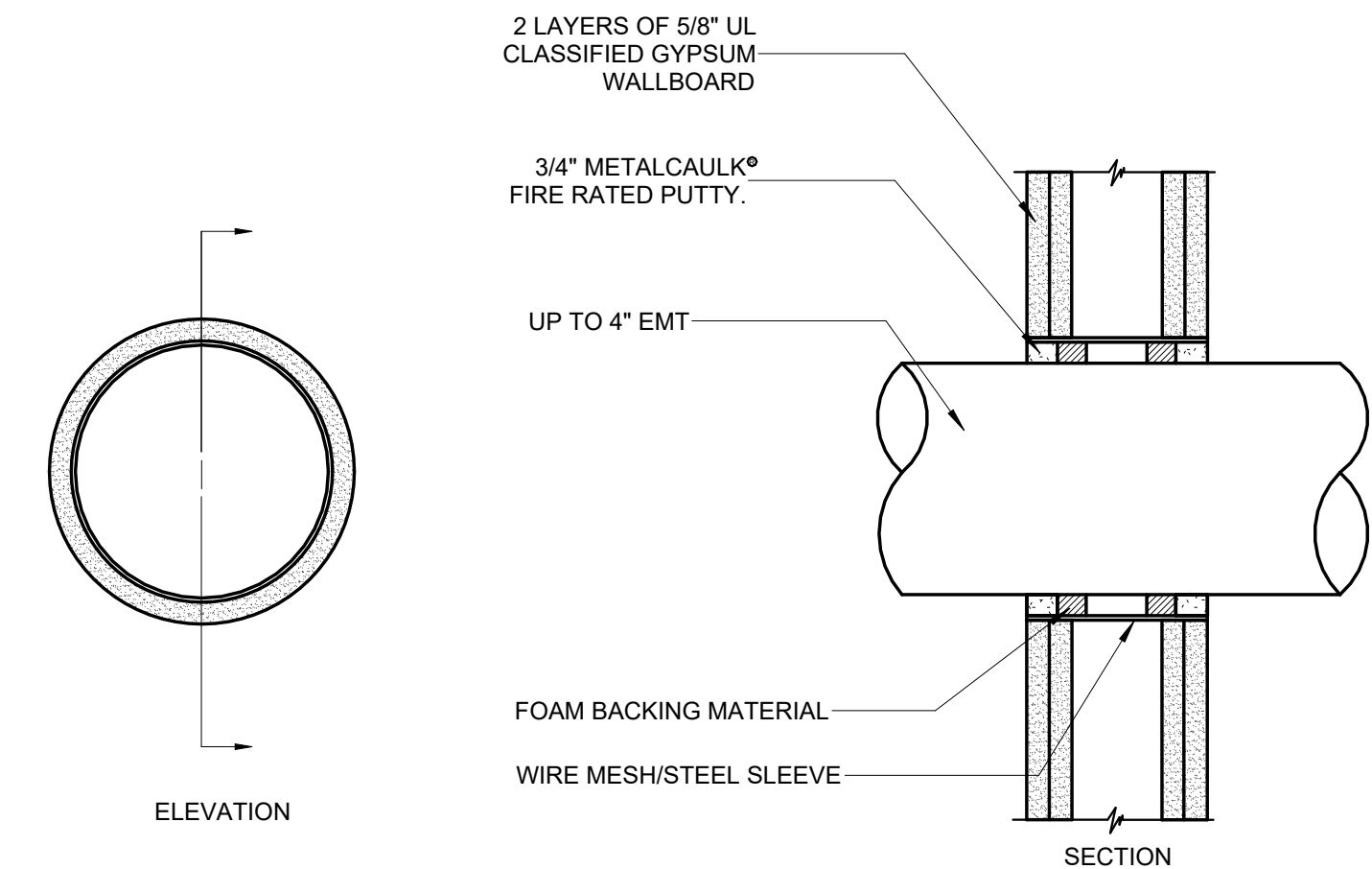
3 DETAIL - CABLE CONNECTION TO STEEL BEAM
E4.1 NO SCALE



4 DETAIL - CABLE CONNECTION TO GROUND ROD
E4.1 NO SCALE

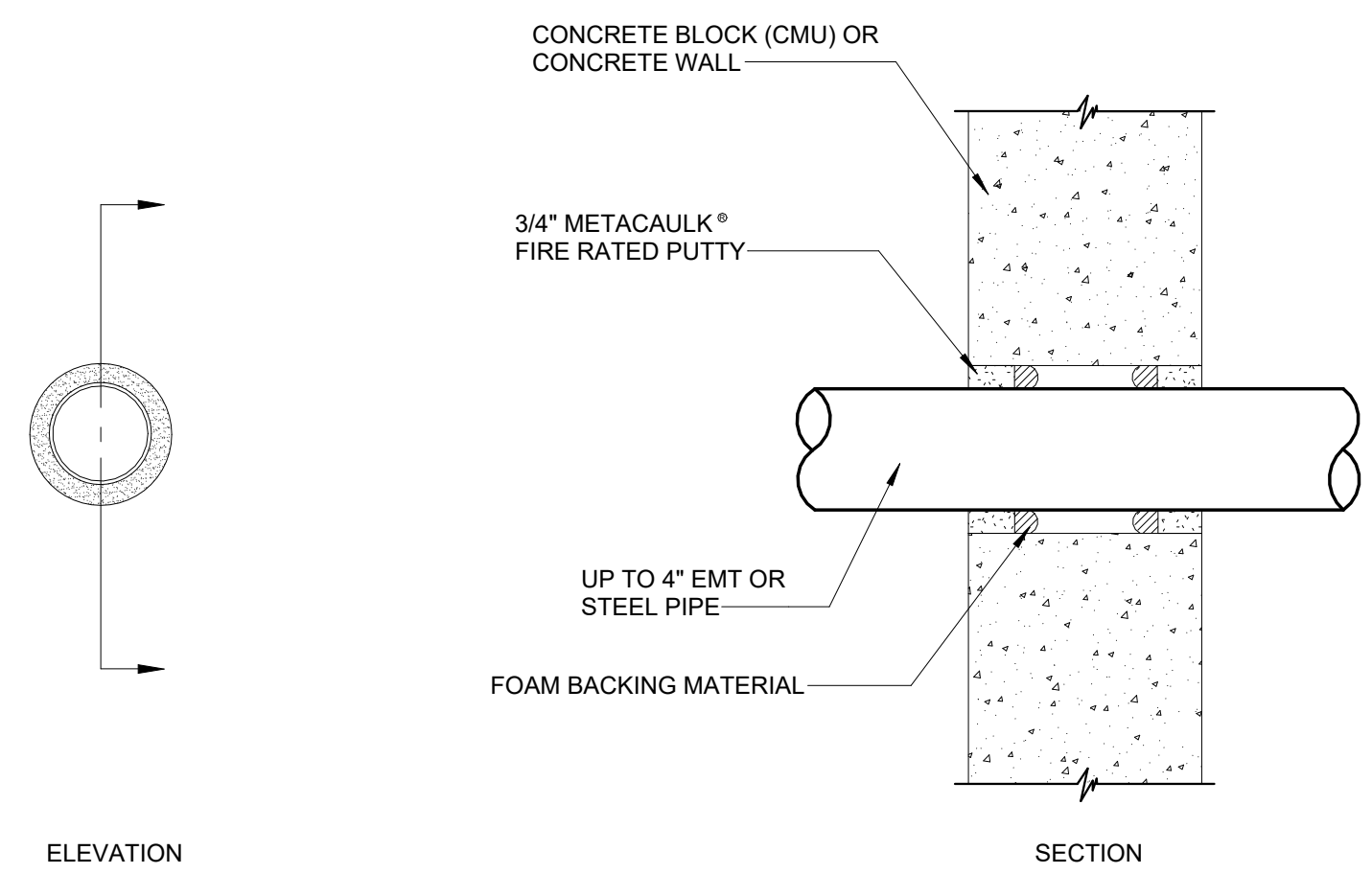


5 DATA/TELEPHONE RISER
E4.1 NO SCALE



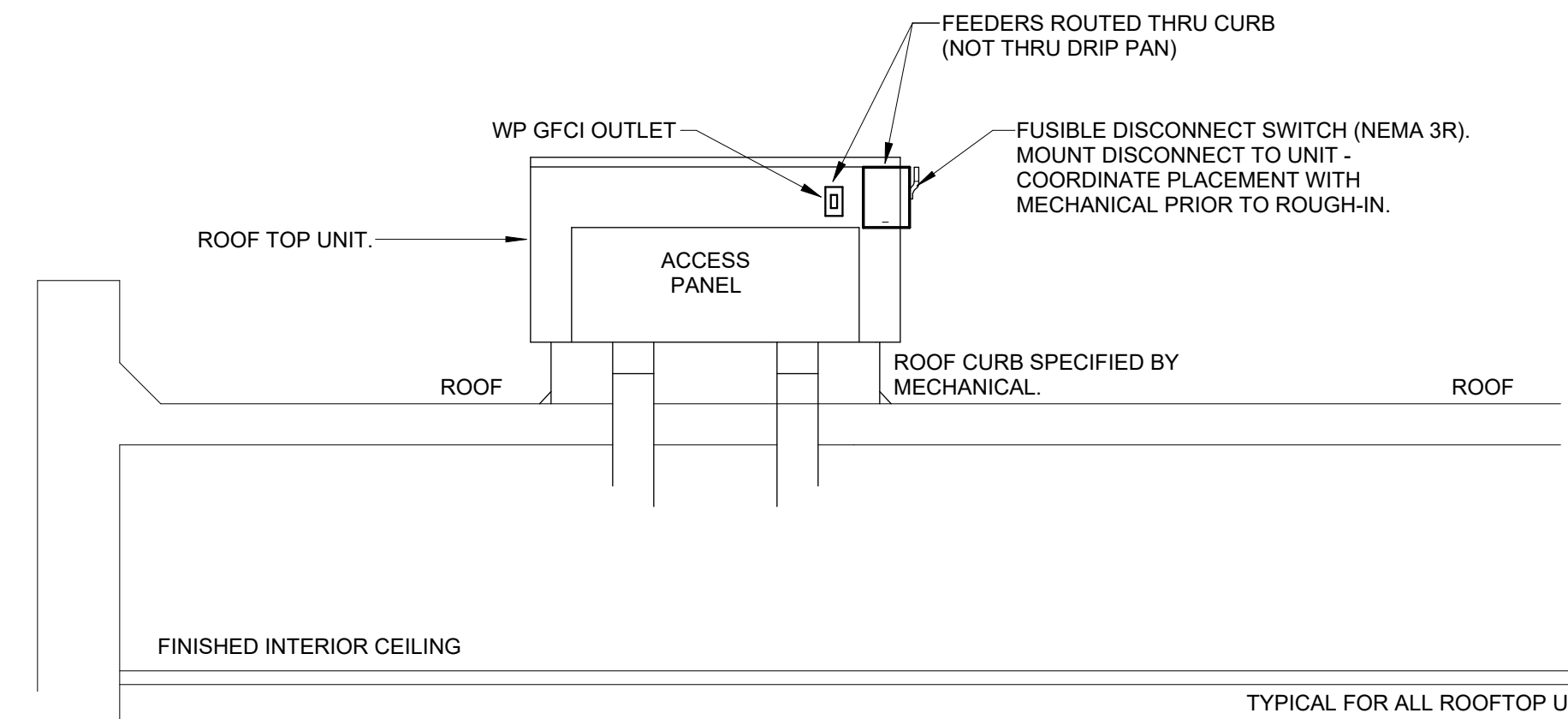
NOTE: WHERE CONDUIT IS USED AS A SLEEVE FOR ROUTING LOW VOLTAGE CABLES THROUGH A RATED WALL, LOCATE CONDUCTORS IN CENTER OF SLEEVE AND FILL OPENING WITH FIRE RATED PUTTY AT EACH END OF SLEEVE.

6 DETAIL - GYPSUM WALLBOARD PENETRATION
E4.1 NO SCALE



NOTE: WHERE CONDUIT IS USED AS A SLEEVE FOR ROUTING LOW VOLTAGE CABLES THROUGH A RATED WALL, LOCATE CONDUCTORS IN CENTER OF SLEEVE AND FILL OPENING WITH FIRE RATED PUTTY AT EACH END OF SLEEVE.

7 DETAIL - CONCRETE WALL PENETRATION
E4.1 NO SCALE



NOTE: ELECTRICAL CONTRACTOR SHALL COORDINATE PRIOR TO ROUGH-IN OF MECHANICAL UNIT THE EXACT ELECTRICAL SERVICE CONNECTION POINT WITH MECHANICAL CONTRACTOR AND EQUIPMENT ROUGH-IN SHOW DRAWINGS.

8 DETAIL - ROOF TOP UNIT MOUNTED DISCONNECT
E4.1 NO SCALE

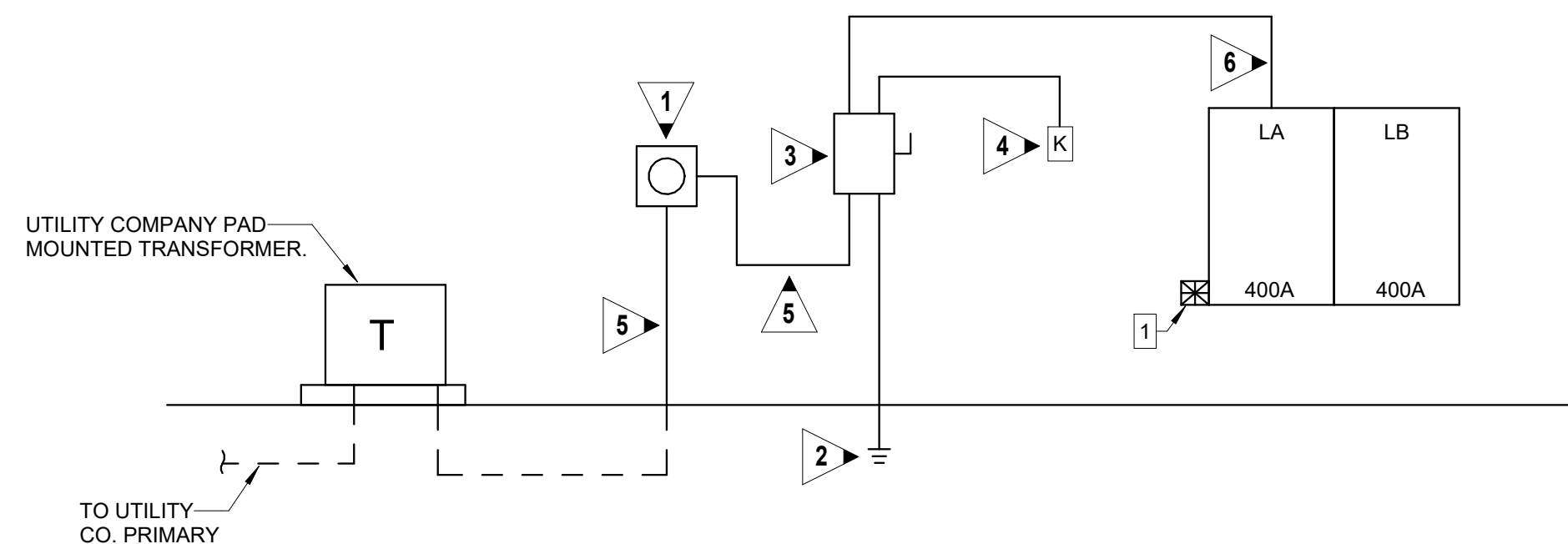
MECHANICAL CONNECTION SCHEDULE												
EQUIPMENT INFORMATION				CIRCUIT INFORMATION				CONDUIT & WIRE SIZE		DISC		NOTES
ID	VOLT	PH	MCA	MOCP	PANEL	NO.	APPARENT LOAD			TYPE		
EXHAUST FAN												
EF-1	120 V	1	0.3 A	20.0 A	LB	7	24 VA	1/2"C.2#12,1#12G		MRS	1.3	
EF-2	120 V	1	0.3 A	20.0 A	LB	7	24 VA	1/2"C.2#12,1#12G		MRS	1.3	
EF-3	120 V	1	0.4 A	20.0 A	LB	5	40 VA	1/2"C.2#12,1#12G		MRS	1.4	
HOOD												
KH-1	120 V	1	5.0 A	20.0 A	LA	24	500 VA	1/2"C.2#12,1#12G		MRS	1	
ROOF TOP UNITS												
RTU-1	208 V	3	52.0 A	60.0 A	LA	6,8,10	14976 VA	1"C.4#6,1#8G		60A/3P NEMA 3R	1.2	
RTU-2	208 V	3	52.0 A	60.0 A	LA	12,14,16	14976 VA	1"C.4#6,1#8G		60A/3P NEMA 3R	1.2	
RTU-3	208 V	3	28.0 A	40.0 A	LA	18,20,22	8964 VA	1"C.4#6,1#10G		60A/3P NEMA 3R	1.2	
WATER HEATER												
WH-1	120 V	1	20.0 A	20.0 A	LA	2	1500 VA	1/2"C.2#12,1#12G		MRS		
WH-2	120 V	1	20.0 A	20.0 A	LA	4	1500 VA	1/2"C.2#12,1#12G		MRS		

MECHANICAL/PLUMBING SCHEDULE NOTES:

- SEE MECHANICAL FOR EXACT CONTROL REQUIREMENTS.
- DUCT SMOKE DETECTOR IN SUPPLY AIR DUCT PROVIDED BY MANUFACTURER. UNIT SHALL COME COMPLETE WITH SAMPLING TUBE AND REMOTE TEST/RESET STATION LOCATED IN MECH/ELEC ROOM IN ACCESSIBLE LOCATION. DETECTOR SHALL SHUT DOWN UNIT UPON SENSING SMOKE.
- INTERLOCK AND POWER FAN VIA LIGHTING CIRCUIT IN AREA SERVED. PROVIDE 15 MINUTE TIME DELAY RELAY. PROVIDE UNSWITCHED HOT AT FAN.
- POWER FAN VIA LIGHTING CIRCUIT IN AREA SERVED. FAN SHALL BE CONTROLLED BY A SWITCH LOCATED IN ROOM IT SERVES.

KEYED NOTES:

- 400 AMP FEED-THROUGH METER BASE SUPPLIED BY POWER COMPANY AND INSTALLED BY ELECTRICAL CONTRACTOR. CONTRACTOR TO PAY ALL COSTS FOR METER BASE AND SERVICE SHOWN.
- SEE SERVICE GROUNDING DETAIL, 2/E4.1.
- 120/208V, 3PH, 400A/3P S.E. RATED ENCLOSED SHUNT TRIP TYPE CIRCUIT BREAKER, 27.0 KAIC MINIMUM. PROVIDE LABEL "SERVICE DISCONNECT".
- SURFACE MOUNTED NEMA 3R KNOX REMOTE POWER BOX PRODUCT NUM. "MKTKBSPEC-0169". CONNECT TO 3 PHASE ENCLOSED CIRCUIT BREAKER WITH SHUNT TRIP TO REMOTELY DISCONNECT POWER. COORDINATE FINAL LOCATION WITH OWNER AND AUTHORITY HAVING JURISDICTION.
- 4#600MCM, 4 IN. C.
- 4#600MCM, #1/0G, 4 IN. C.



1 POWER RISER DIAGRAM
E4.1 NO SCALE

TVSS

1 MAIN SERVICE PANEL. PROVIDE 4#6 CONDUCTORS IN 1 IN. C. FROM 60A/3P BREAKER IN SUPPLYING PANEL. PROVIDE BREAKER U.L. 1449 LISTED, 200,000 SURGE CURRENT RATING, EATON EXTERNALLY MOUNTED "SPD" SERIES OR EQUAL.

C:\Users\ed21\OneDrive\Documents\260203 Madison Method...RPF E28 - 10/19/2024.rvt
3/10/2026 11:32:21 PM