

ARCHITECT

CONSULTANT

STAMP INVALID UNLESS SIGNED



10641 HIGHWAY 36
COVINGTON, GA 30014
770.786.3031

**Retrofit & Renovations for
Madison Methodist Church**
 1091 Confederate Highway
 Madison, Georgia 30650

FIRE RATED ASSEMBLY DETAILS

JOB NO.:	02405		
DRAWN BY:	GM		
CHECKED BY:	GM		
DESCRIPTION:	SCH-REVIEW-P1		
DATE:	08.04.24		
DESCRIPTION:	DD-REVIEW		
DATE:	00.00.24		
DESCRIPTION:	CD-REVIEW		
DATE:	01.02.25		
DESCRIPTION:	BID-CONSTRUCTION		
DATE:	01.21.25		
REVISIONS:			
1	03.24.25	8	02.09.26
2	04.21.25	9	
3	08.11.25	10	
4	08.20.25	11	
5	09.03.25	12	
6	12.18.25	13	
7	01.23.26	14	

THESE DRAWINGS ARE THE PROPERTY OF GMARCHITECT AND ARE NOT TO BE REPRODUCED OR REUSED WITHOUT PERMISSION AND CREDIT.
COPYRIGHT: © 2026

SHEET

A7.3

OF

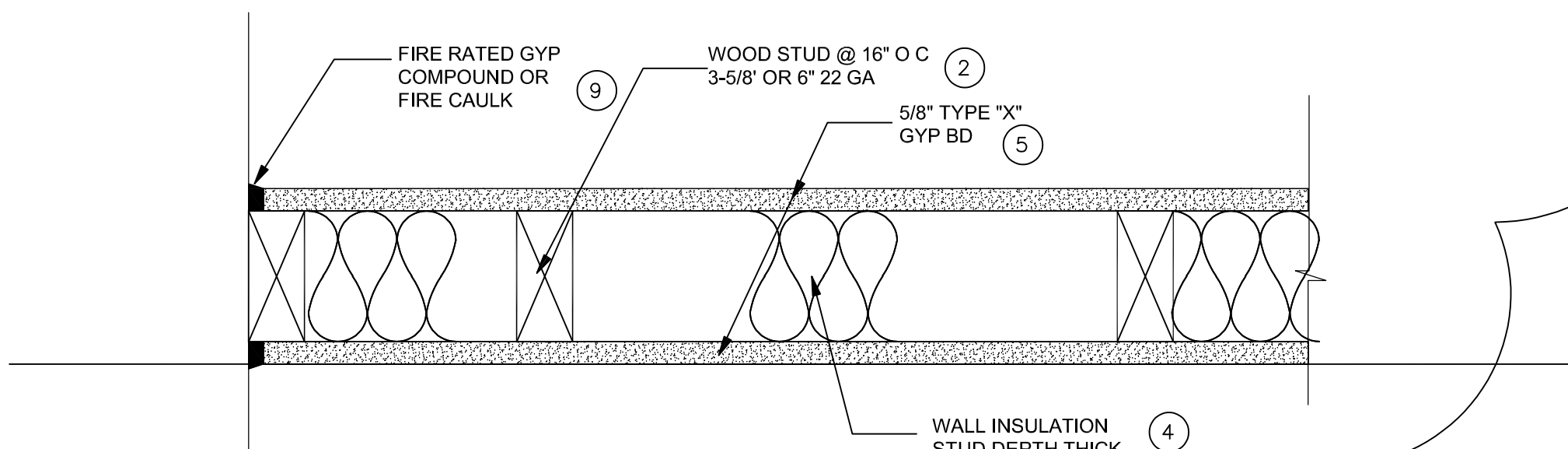
8 DELETED

UL RATED WALL CRITERIA: DESIGN NO. U305

NONBEARING WALL RATINGS — 1 HOUR

- CEILING RUNNERS: NOT REQUIRED
- WOOD STUDS: NOMINAL 2 X 4 OR 2X6, SPACED 16" O. C. EFFECTIVELY CROSS BRACED.
- WOOD STRUCTURAL PANEL SHEATHING: NOT REQUIRED.
- BATTS AND BLANKETS: MINERAL WOOL BATTS, FRICTION FITTED BETWEEN STUDS AND PLATES. MIN. NOMINAL THICKNESS EQUAL THE STUD DEPTH.
- GYPSUM BOARD: GYPSUM PANELS WITH BEVELED, SQUARE OF TAPERED EDGES, APPLIED VERTICALLY OR HORIZONTALLY. VERTICAL JOINTS CENTERED OVER STUDS AND STAGGERED ONE STUD CAVITY ON OPPOSITE SIDES OF STUDS. VERTICAL JOINTS IN ADJACENT LAYERS (MULTILAYER SYSTEMS) STAGGERED ONE STUD CAVITY. HORIZONTAL JOINTS NEED NOT BE BACKED BY STEEL FRAMING. HORIZONTAL EDGE JOINTS AND HORIZONTAL BUTT JOINTS ON OPPOSITE SIDES OF STUDS NEED NOT BE STAGGERED. HORIZONTAL EDGE JOINTS AND HORIZONTAL BUTT JOINTS IN ADJACENT LAYERS (MULTILAYER SYSTEMS) STAGGERED A MIN. OF 12 IN. HORIZONTAL EDGE JOINTS AND HORIZONTAL BUTT JOINTS IN ADJACENT LAYERS (MULTILAYER SYSTEMS) WITH TYPE ULXK NEED NOT BE STAGGERED. THE THICKNESS AND NUMBER OF LAYERS OF THE 1 HR AND 2 HR RATINGS ARE AS FOLLOWS:
 1 HOUR RATED:
 MIN. 3 5/8 IN STUD DEPTH
 1 LAYER 5/8" TYPE "X" GYP BD ON BOTH STUD SURFACES
 INSULATION OPTIONAL
- FASTENERS: TYPE S-12 STEEL SCREWS USED TO ATTACHED PANELS TO STUDS.
 SINGLE LAYER SYSTEMS: 1 IN. LONG FOR 1/2 AND 5/8 IN. THICK PANELS OR 1-1/4 IN. LONG FOR 3/4 IN. THICK PANELS SPACED 8 IN. OC WHEN PANELS ARE APPLIED HORIZONTALLY, OR 8 IN. OC ALONG VERTICAL AND BOTTOM EDGES AND 12 IN. OC IN THE FIELD WHEN PANELS ARE APPLIED VERTICALLY.
 SINGLE LAYER SYSTEMS WITH TYPE ULX: 1 IN. LONG FOR 1/2 IN. OC IN THE FIELD AND PERIMETER, WHEN PANELS ARE APPLIED HORIZONTALLY OR VERTICALLY.
- FURRING / ADDITIONAL FRAMING: NONE REQUIRED.
- JOINT TAPE AND COMPOUND VINYL OR CASING, DRY OR PREMIXED JOINT COMPOUND APPLIED IN TWO COATS TO JOINTS AND SCREW HEADS OF OUTER LAYERS. PAPER TAPE, NOMINAL 2 IN. WIDE, EMBEDDED IN FIRST LAYER OF COMPOUND OVER ALL JOINTS OF OUTER LAYER PANELS. PAPER TAPE AND JOINT COMPOUND MAY BE OMITTED WHEN GYPSUM PANELS ARE SUPPLIED WITH A SQUARE EDGE.
- SEALANTS: A BEAD OF GYPSUM FIRE RATED COMPOUND OR FIRE CAULK APPLIED AROUND THE PARTITION PERIMETER.

B1 ONE HOUR RATED PARTITION: UL-U305
A7.3 NTS



C1 DETAILS: RATED WALL INTERSECTIONS
A7.3 SCALE: NTS

