

ARCHITECT

CONSULTANT

STAMP INVALID UNLESS SIGNED



10641 HIGHWAY 36
COVINGTON, GA 30014
770.786.3031

INTERIOR ELEVATIONS, MOUNTING, LOCATION, ETC.

**Retrofit & Renovations for
Madison Methodist Church**
1091 Confederate Highway
Madison, Georgia 30650

JOB NO.: 02405

DRAWN BY: GM

CHECKED BY: GM

DESCRIPTION: SCH-REVIEW-P1

DATE: 08.04.24

DESCRIPTION: DD-REVIEW

DATE: 00.00.24

DESCRIPTION: CD-REVIEW

DATE: 01.02.25

DESCRIPTION: BID-CONSTRUCTION

DATE: 01.21.25

REVISIONS:

NO.	DATE	DESCRIPTION
1	03.24.25	8
2	04.21.25	9
3	08.11.25	10
4	08.20.25	11
5	09.03.25	12
6	12.18.25	13
7	01.23.26	14

THESE DRAWINGS ARE THE PROPERTY OF GMARCHITECT AND ARE NOT TO BE REPRODUCED OR REUSED WITHOUT PERMISSION AND CREDIT.

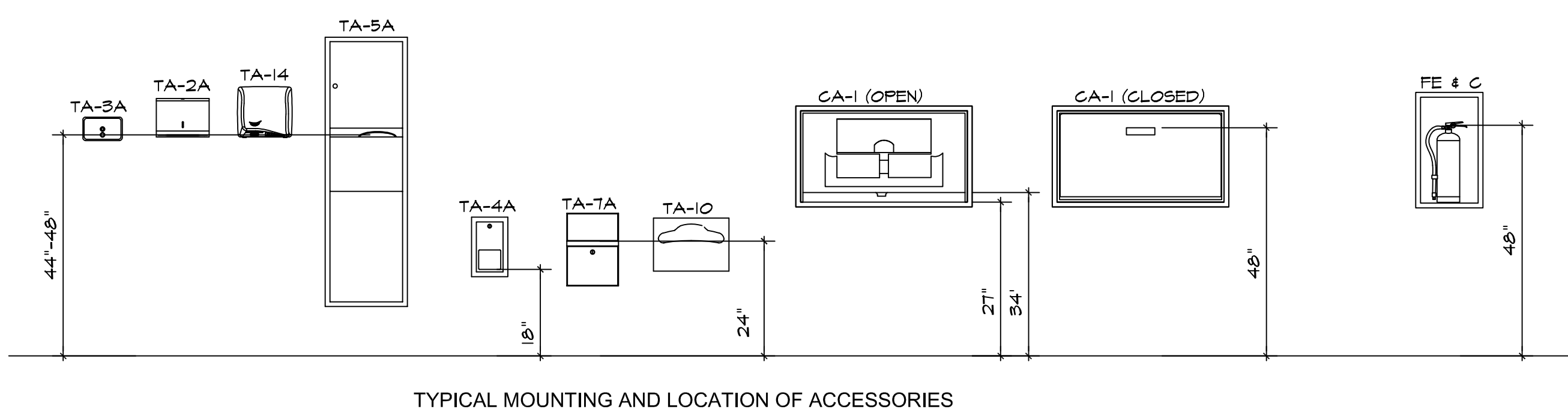
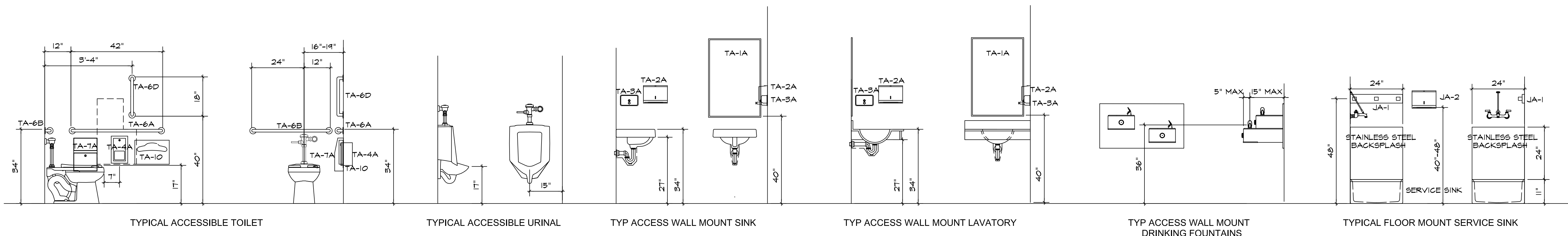
COPYRIGHT: © 2026

SHEET

A9.3.0

OF

ACCESSORY SCHEDULE	
TA-1A	MIRROR UNIT: 24X36
TA-1B	MIRROR UNIT: CUSTOM SIZE
TA-2A	PAPER TOWEL DISPENSER (FOLDED)
TA-2B	PAPER TOWEL DISPENSER (ROLLED)
TA-3A	SOAP DISPENSER
TA-4A	TOILET TISSUE DISPENSER (ROLLED)
TA-4B	COMBINATION TOILET TISSUE DISPENSER (ROLLED)
TA-4C	TOILET TISSUE DISPENSER (FOLDED)
TA-4D	TOILET TISSUE DISPENSER (JUMBO ROLLED)
TA-5A	COMBINATION TOWEL DISPENSER (FOLDED) / WASTE RECEPTACLE
TA-5B	COMBINATION TOWEL DISPENSER (ROLLED) / WASTE RECEPTACLE
TA-5C	MULTIPURPOSE SOAP / TOWEL DISPENSER
TA-6A	GRAB BAR 42
TA-6B	GRAB BAR 36
TA-6C	GRAB BAR 24
TA-6D	GRAB BAR 18
TA-7A	SANITARY NAPKIN DISPOSAL (WALL MOUNT)
TA-7B	SANITARY NAPKIN DISPOSAL (PARTITION MOUNT/DUAL ACCESS)
TA-8	ROBE HOOK
TA-9	WASTE RECEPTACLE
TA-10	SEAT COVER DISPENSER
TA-11	VENDING
TA-12	BAG SHELF
TA-13	SEAT COVER DISPENSER
TA-14	HAND DRYER
CA-1	CHANGING STATION
CA-2	CHILD PROTECTION SEAT
UG-1	UNDERLAVATORY GUARDS
JA-1	MOP AND BROOM HOLDER
JA-2	PAPER TOWEL DISPENSER



INTERIOR ELEVATIONS: MOUNTING & LOCATION REQUIREMENTS

SCALE: 1/2"=1'-0"

