

ARCHITECT

CONSULTANT

STAMP INVALID UNLESS SIGNED



10641 HIGHWAY 36
COVINGTON, GA 30014
770.786.3031

INTERIOR ELEVATIONS

**Retrofit & Renovations for
Madison Methodist Church**
Madison, Georgia 30650
1091 Confederate Highway

JOB NO.: 02405
DRAWN BY: GM
CHECKED BY: GM

DESCRIPTION: SCH-REVIEW-P1
DATE: 08.04.24

DESCRIPTION: DD-REVIEW
DATE: 00.00.24

DESCRIPTION: CD-REVIEW
DATE: 01.02.25

DESCRIPTION: BID-CONSTRUCTION
DATE: 01.21.25

NO.	DATE	DESCRIPTION
1	03.24.25	8
2	04.21.25	9
3	08.11.25	10
4	08.20.25	11
5	09.03.25	12
6	12.18.25	13
7	01.23.26	14

THESE DRAWINGS ARE THE PROPERTY OF GMARCHITECT AND ARE NOT TO BE REPRODUCED OR REUSED WITHOUT PERMISSION AND CREDIT.
COPYRIGHT: © 2026

SHEET

A9.3.2.2

OF

BOT OF EXISTING WD TRUSSES

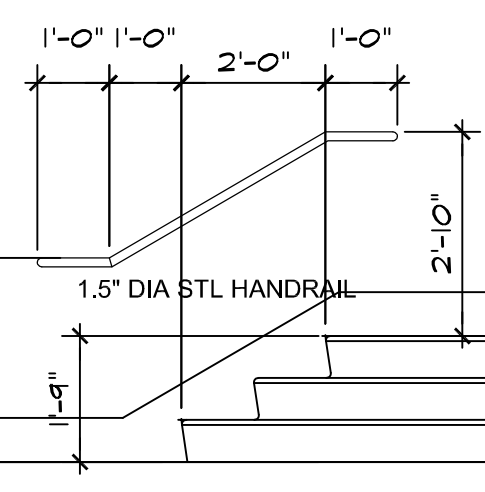
BOT OF EXISTING WD TRUSSES

GYP BOARD / PAINT

GYP BOARD / PAINT

SCHEDULED DOOR UNIT

SCHEDULED DOOR UNIT



8 SANCTUARY W105 / WEST WALL-SOUTH

SANCTUARY W105 / WEST WALL-NORTH

BOT OF EXISTING WD TRUSSES

BOT OF PROCENIUM ARCH

GYP BOARD / PAINT

GYP BOARD / PAINT

GYP BOARD / PAINT

GYP BOARD / PAINT

GYP BOARD / PAINT

6-0 X 7-0 CASED OPENING

6-0 X 7-0 CASED OPENING



8 SANCTUARY W105 / WEST WALL-MIDDLE

INTERIOR ELEVATIONS

SCALE: 3/8"=1'-0"

