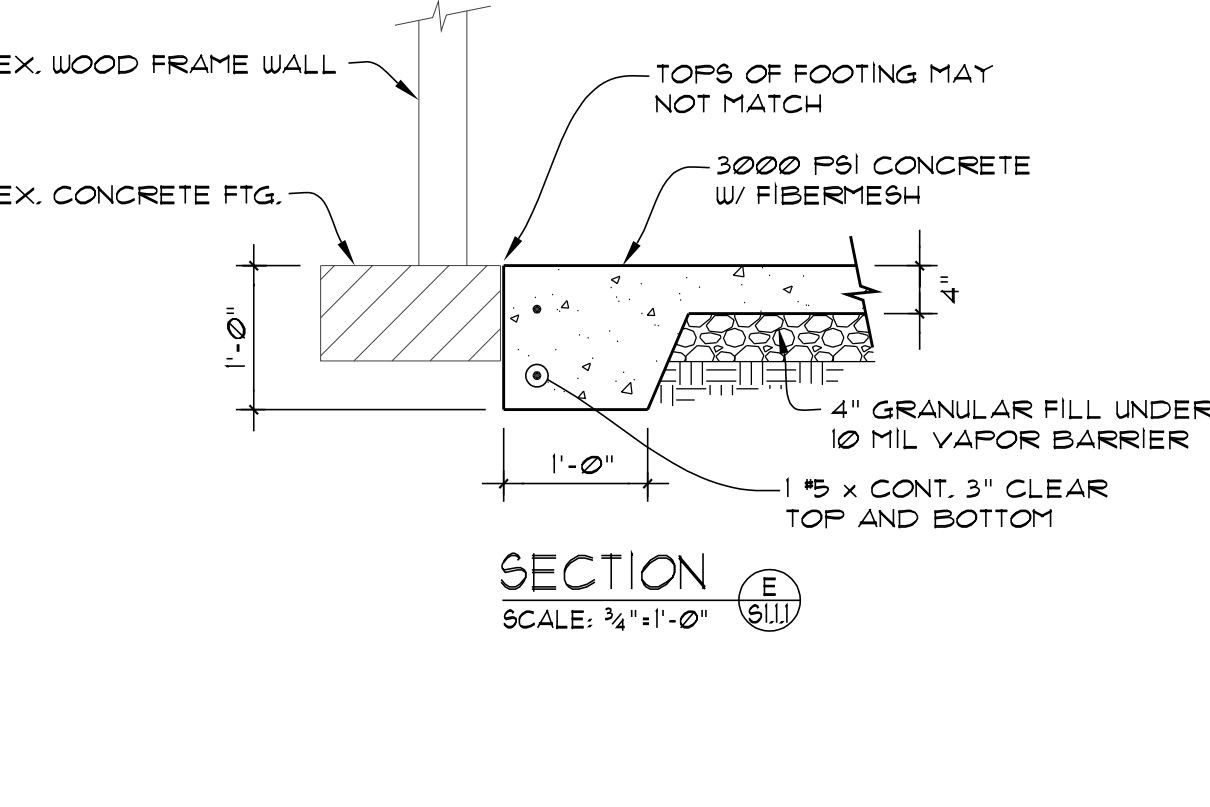
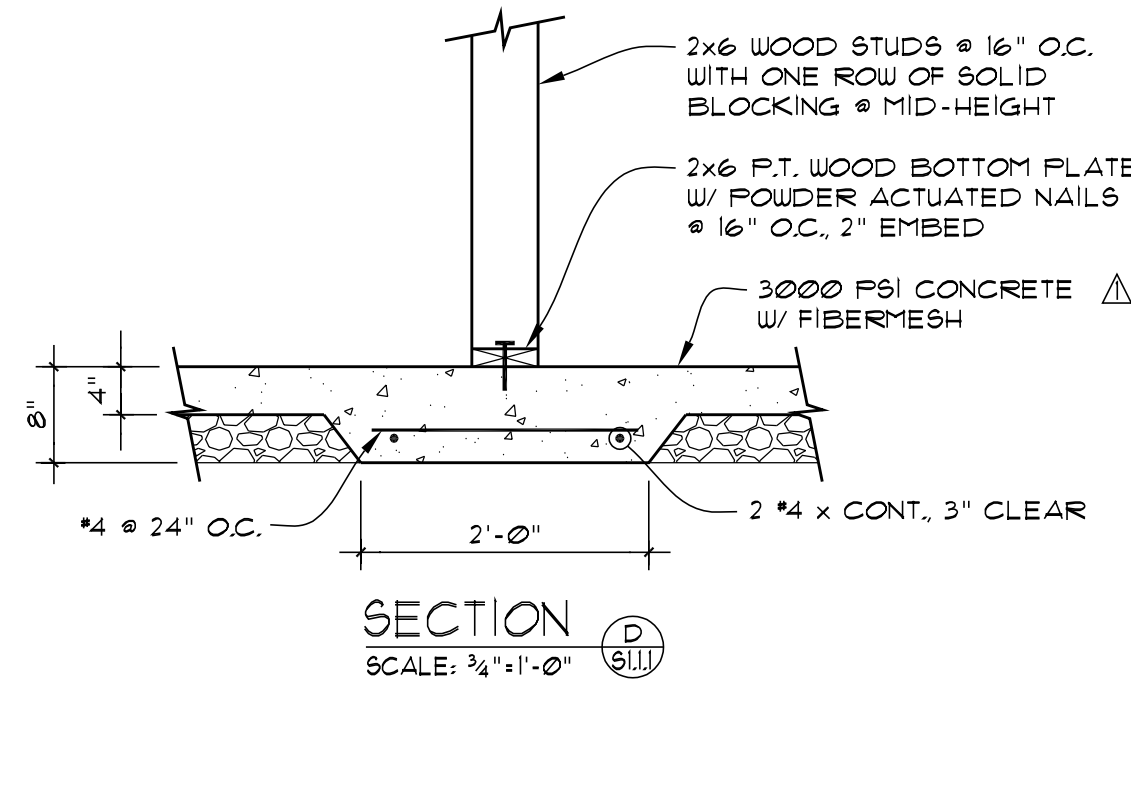
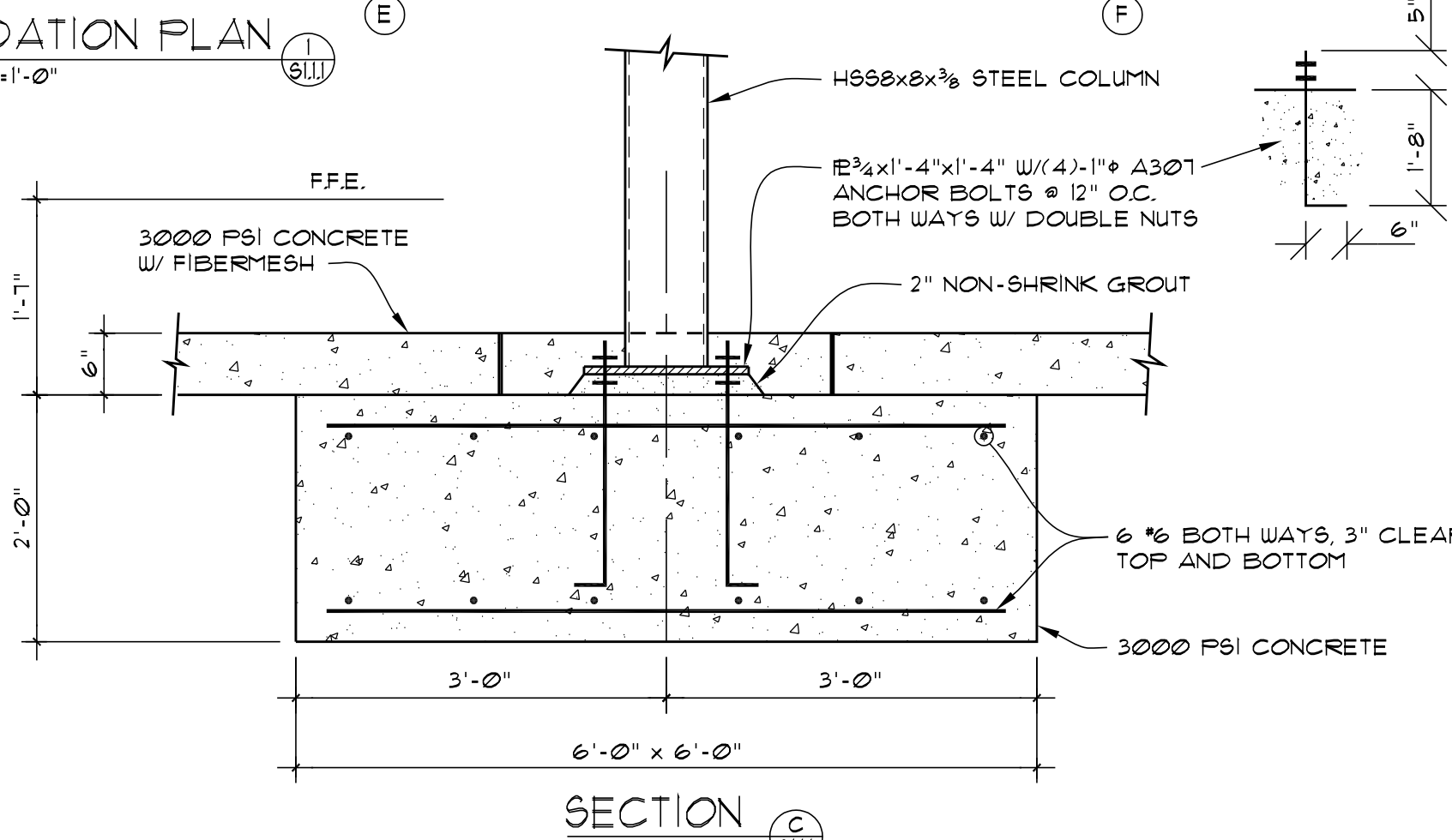
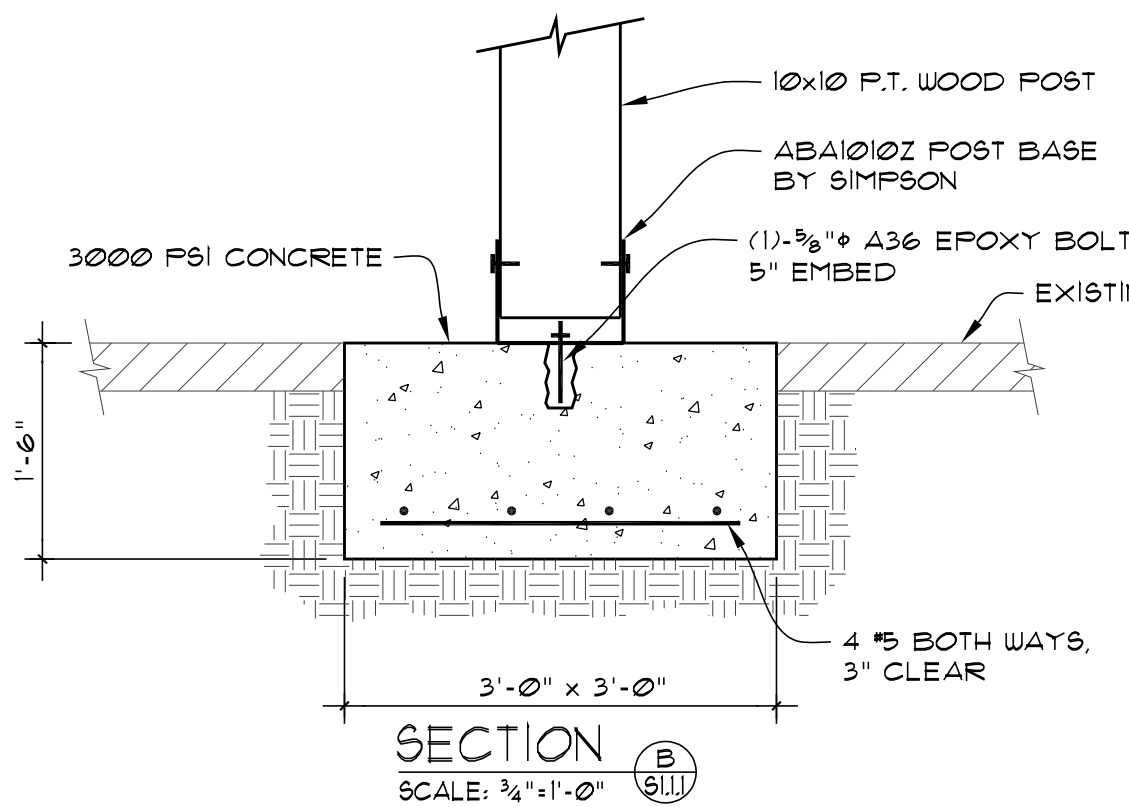
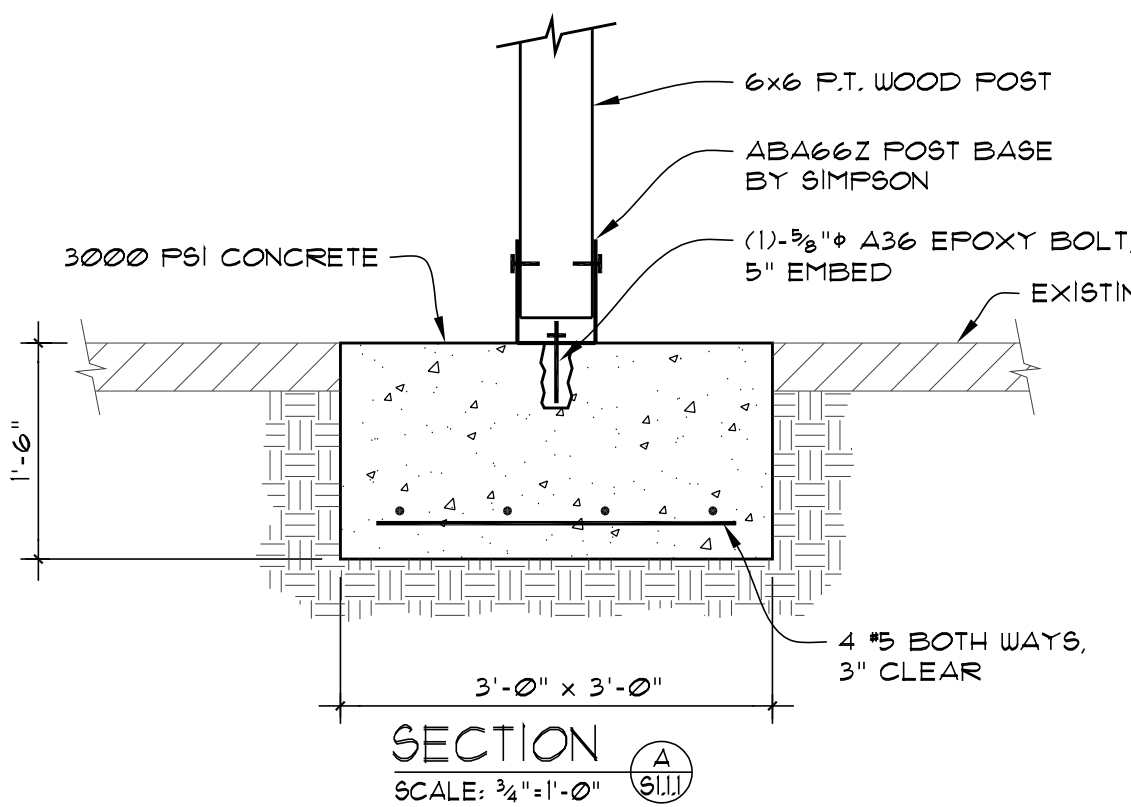


FOUNDATION PLAN  
SCALE: 1/8"=1'-0"



SECTION  
SCALE: 3/4"=1'-0"

ALL DIMENSIONS MUST  
BE VERIFIED BEFORE  
SHOP DRAWINGS

ALL DIMENSIONS MUST  
BE VERIFIED BEFORE  
SHOP DRAWINGS