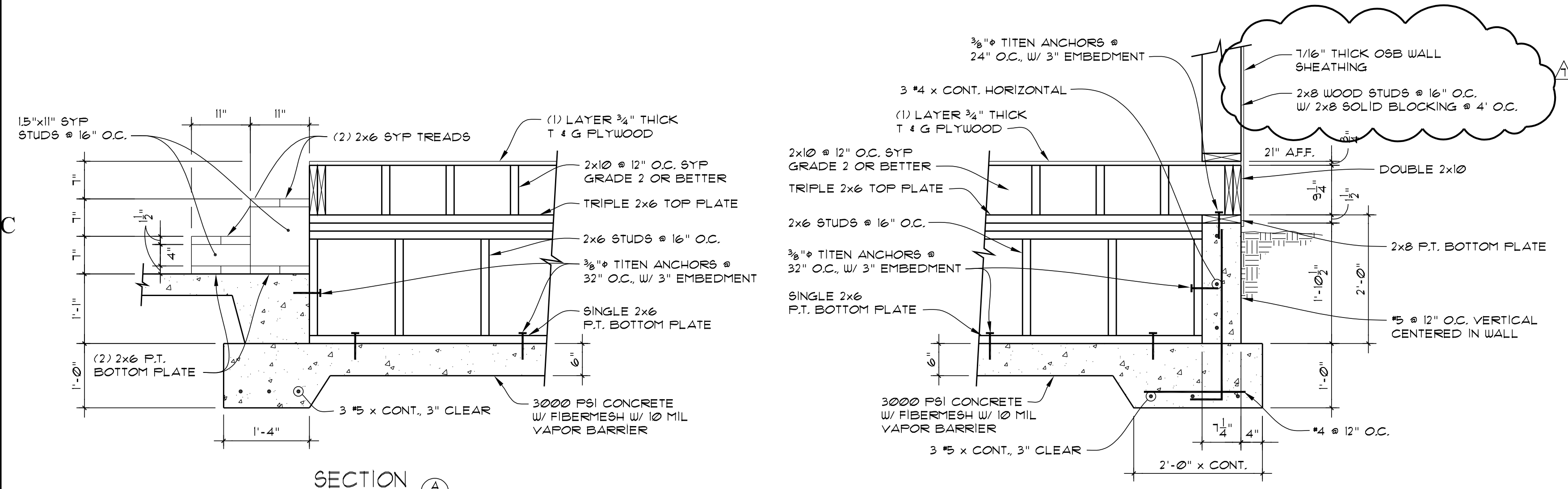
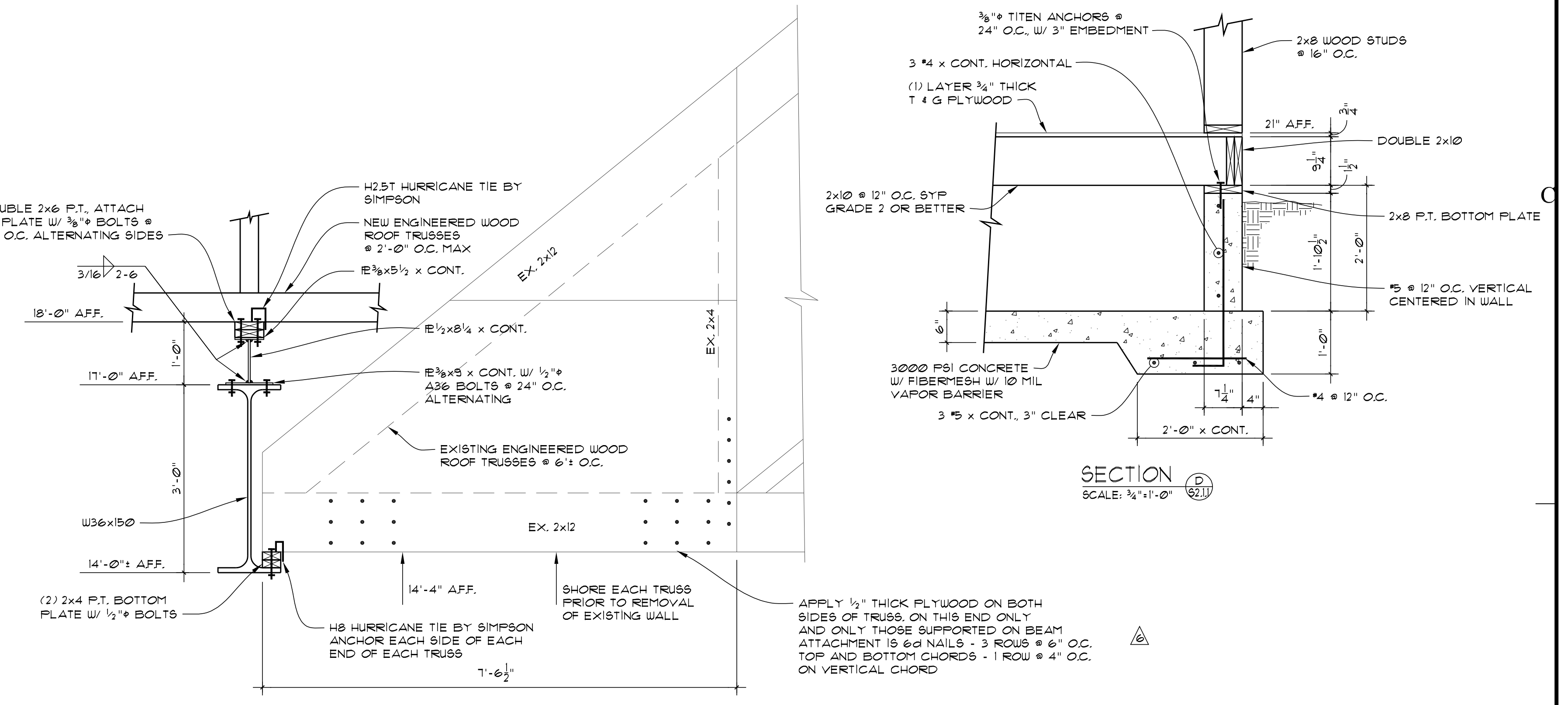


STAGE FLOOR FRAMING PLAN
SCALE: 1/4"=1'-0"



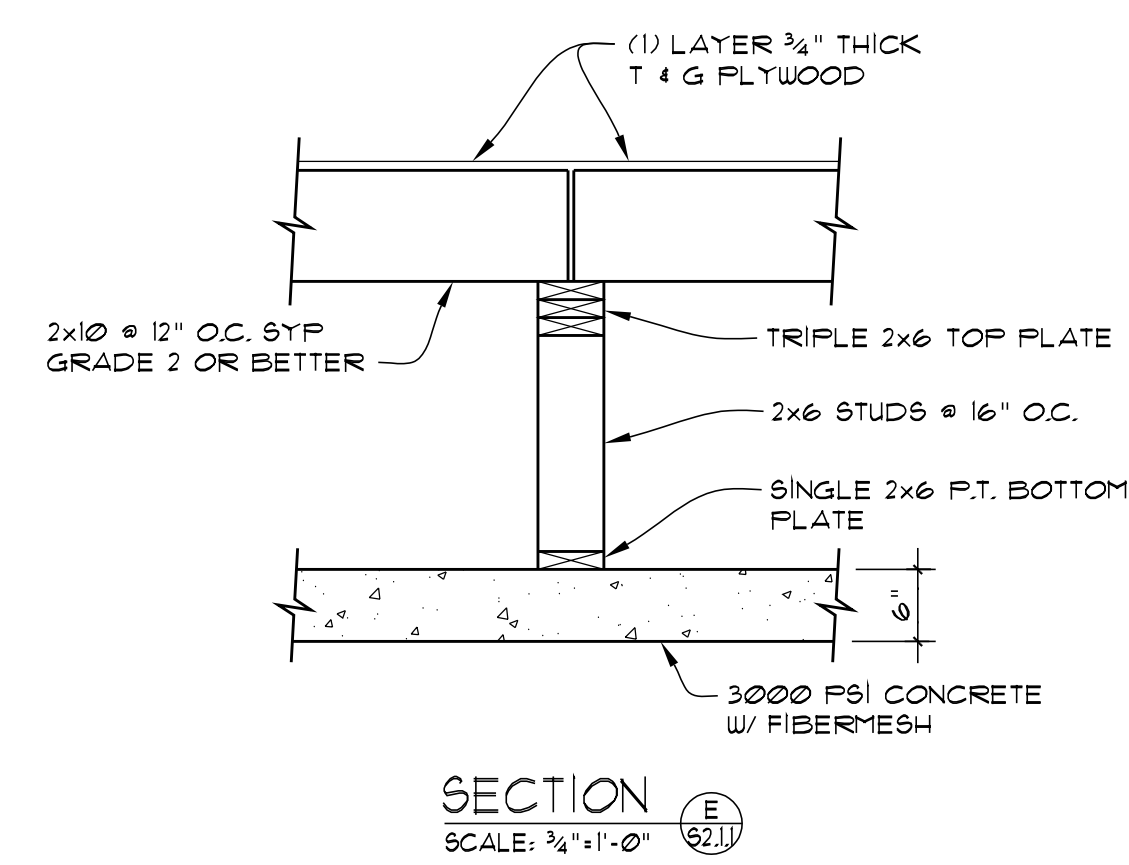
SECTION A
SCALE: 3/4"=1'-0"

SECTION B
SCALE: 3/4"=1'-0"

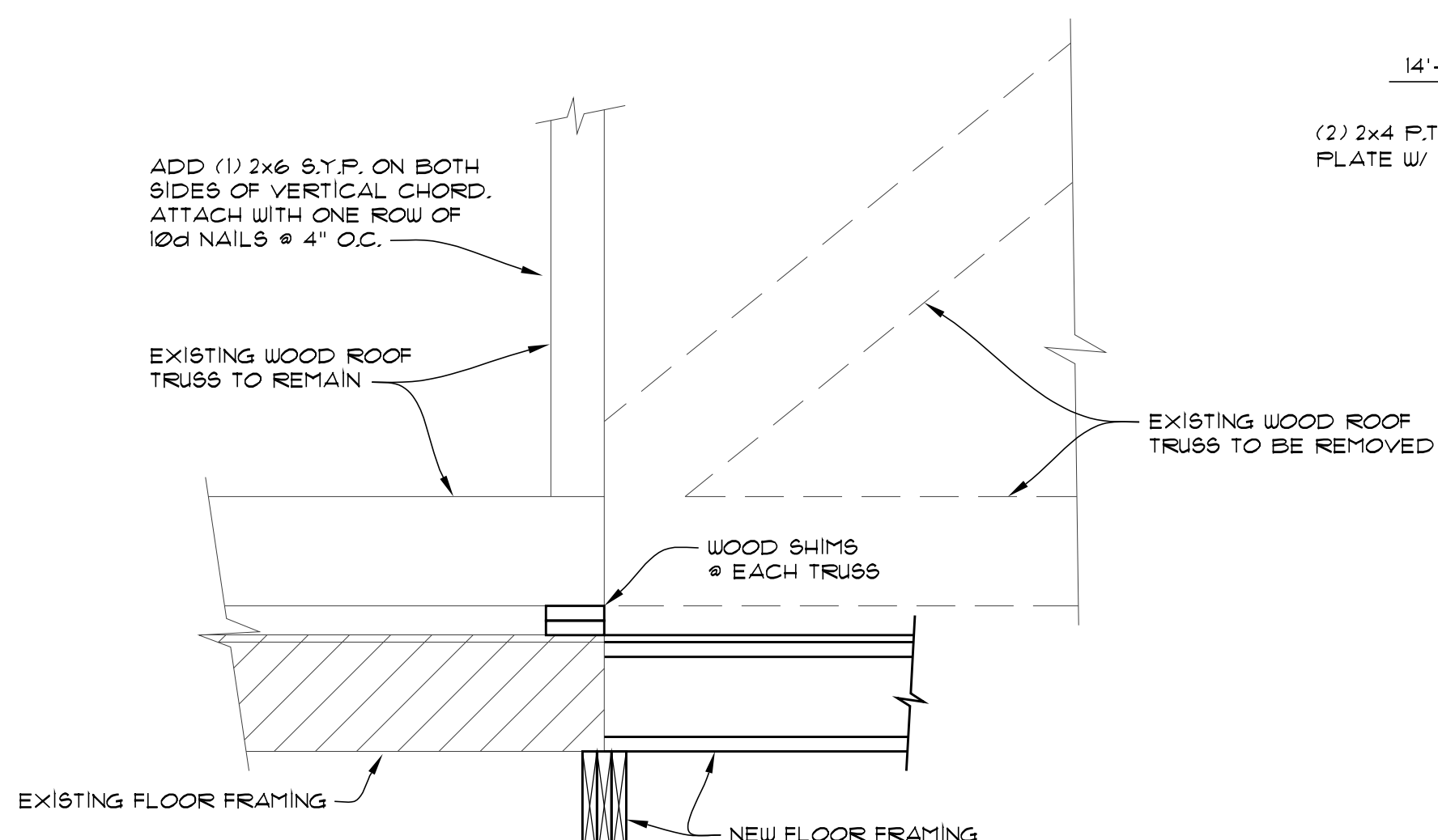


SECTION C
SCALE: 3/4"=1'-0"

SECTION D
SCALE: 3/4"=1'-0"



SECTION E
SCALE: 3/4"=1'-0"



SECTION F
SCALE: 3/4"=1'-0"

FLOOR FRAMING PLAN AND SECTIONS

**Retrofit & Renovations for
Madison Methodist Church**
1091 Confederate Highway
Madison, Georgia 30650

JOHN NO:	
DRAWN BY:	D. WHITEY
CHECKED BY:	G. KORNEGAY
DESCRIPTION:	SCHEMATIC REVIEW
DATE:	08/08/25
DESCRIPTION:	DD-REVIEW
DATE:	08/08/25
DESCRIPTION:	CD-REVIEW
DATE:	08/08/25
DESCRIPTION:	BID-CONSTRUCTION
DATE:	08/08/25
REVISIONS:	
1	06/30/25
2	
3	
4	
5	
6	10/12/25
7	10/14/25

THESE DRAWINGS ARE THE PROPERTY OF GMARCHITECT AND ARE NOT TO BE REPRODUCED OR HELD WITHOUT PERMISSION AND CREDIT.
COPYRIGHT: (C) 2024

SHEET

S2.1.1

OF