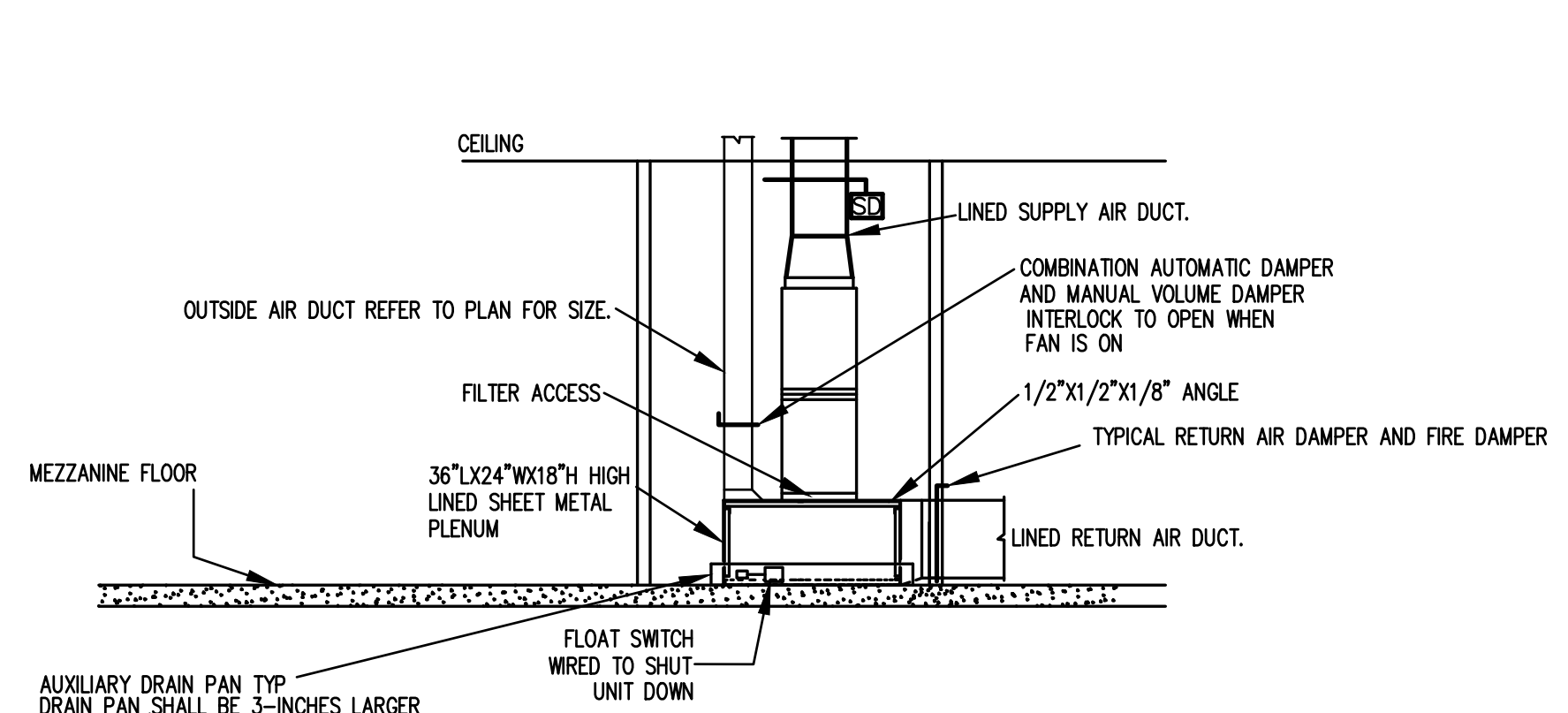
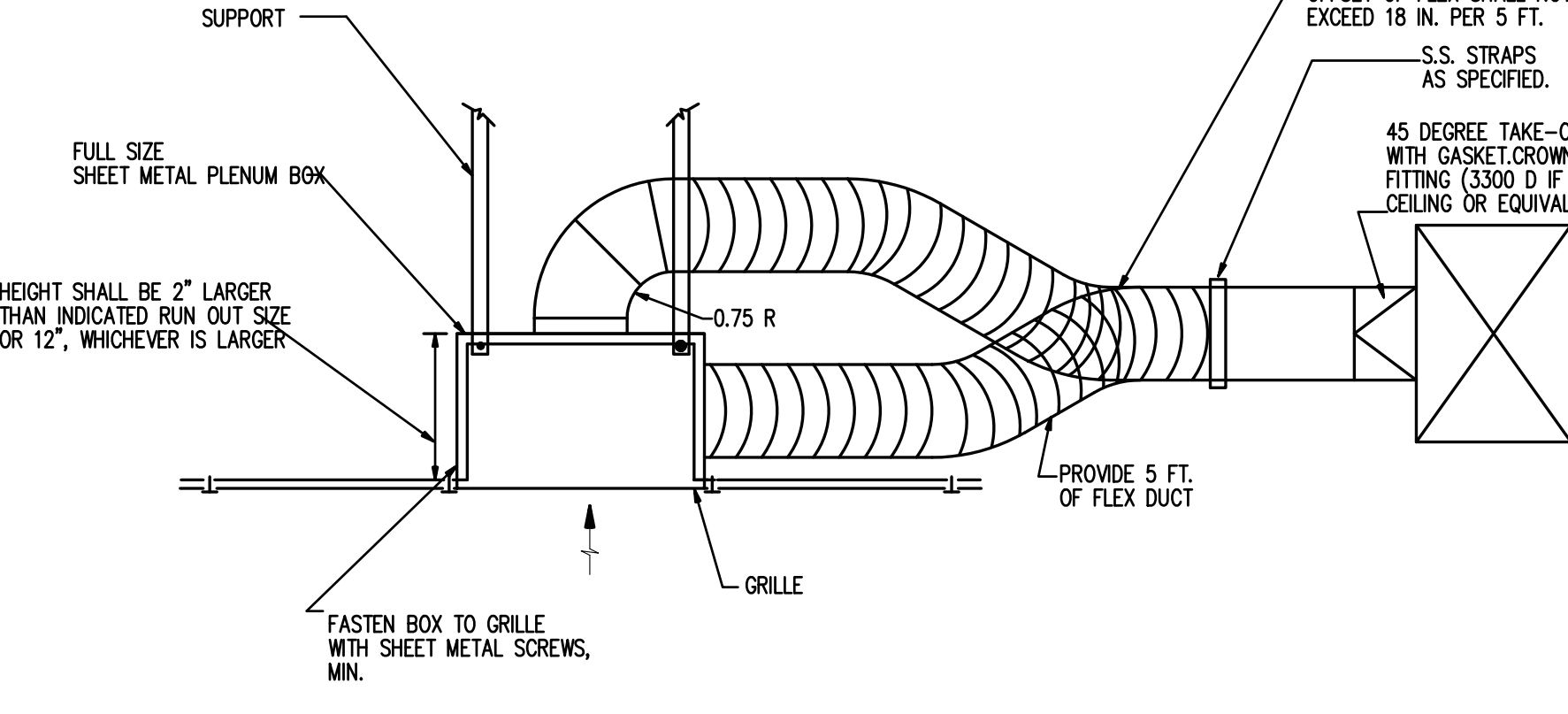


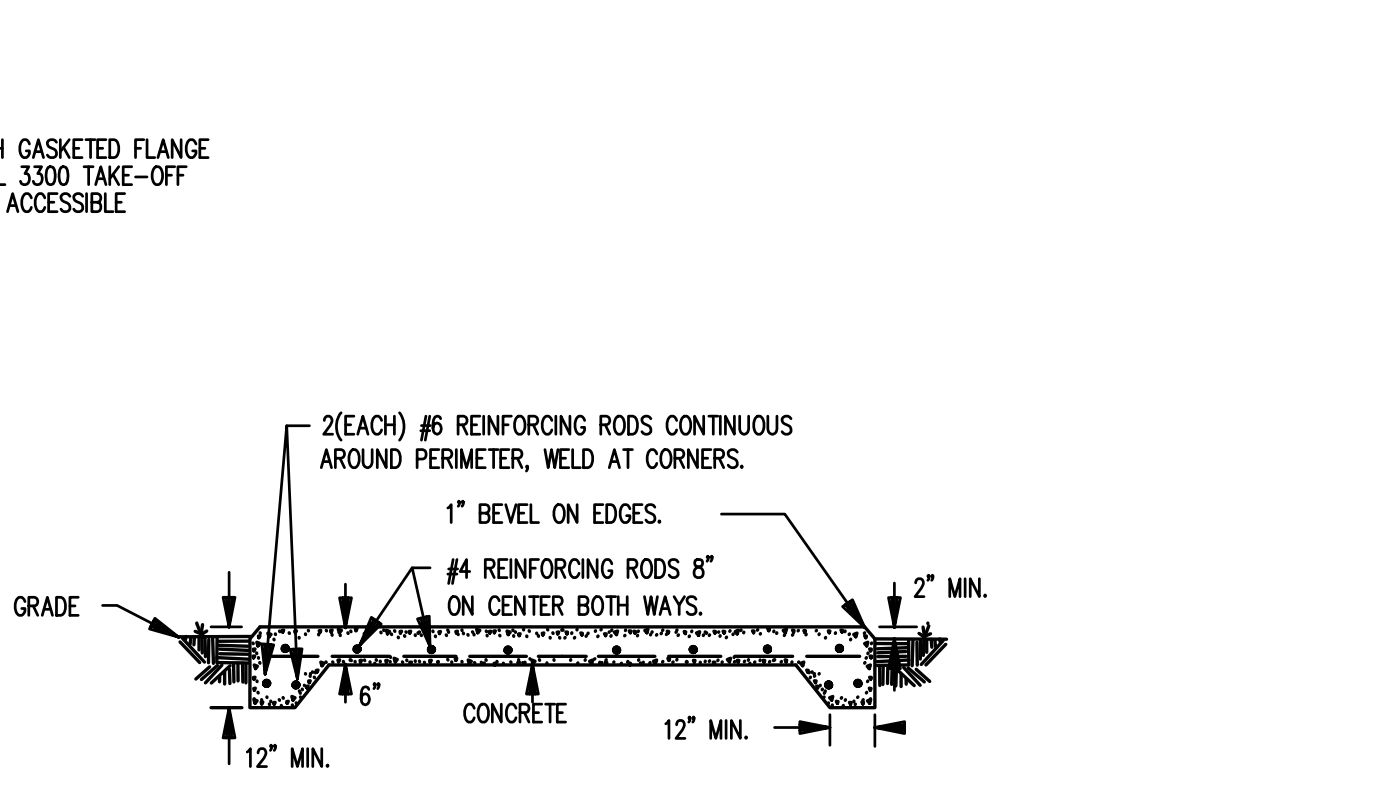
1 AHU ON MEZZANINE WITH AUXILIARY CONDENSATE PAN
SCALE: N.T.S.



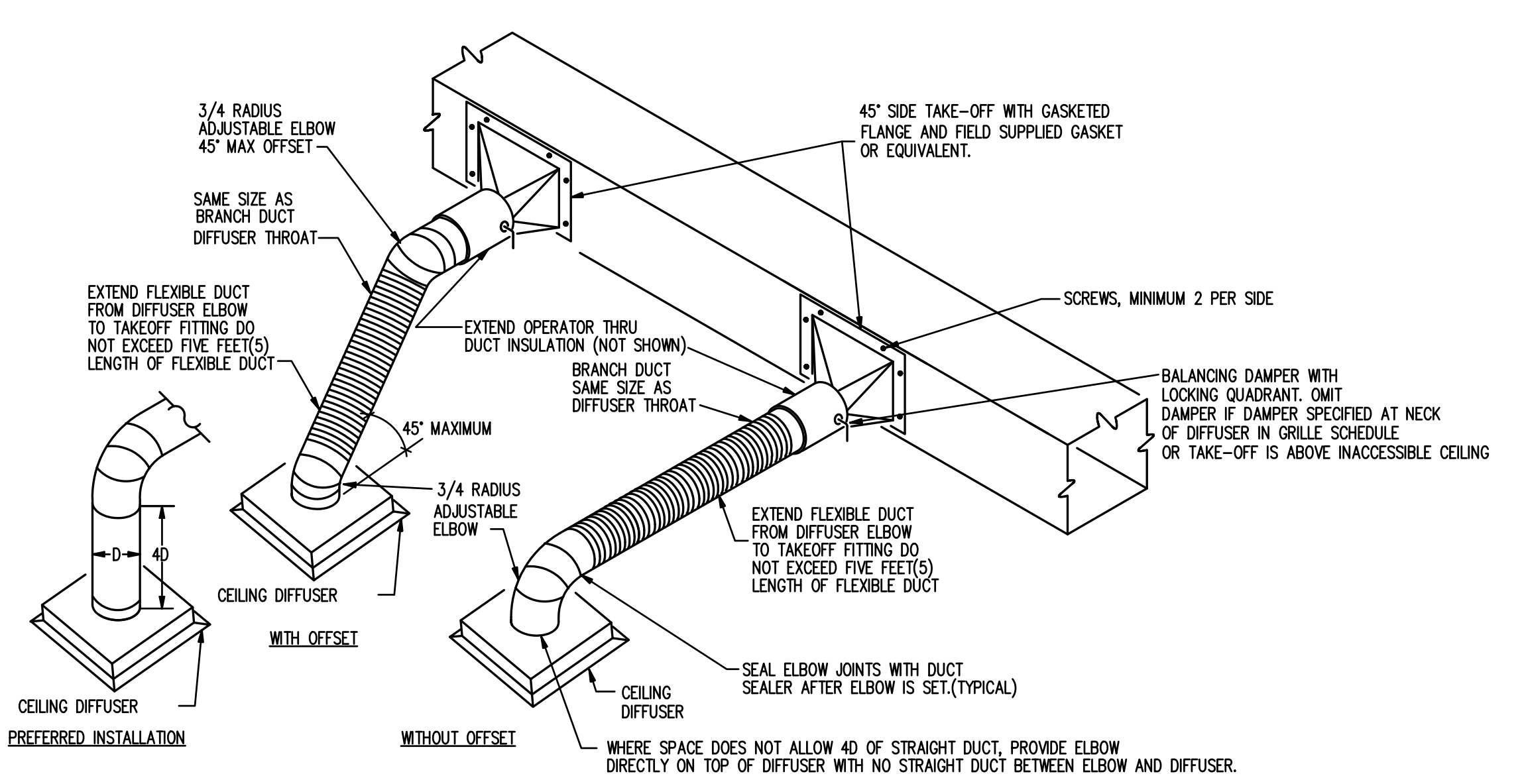
2 AH-2 DETAIL
SCALE: N.T.S.



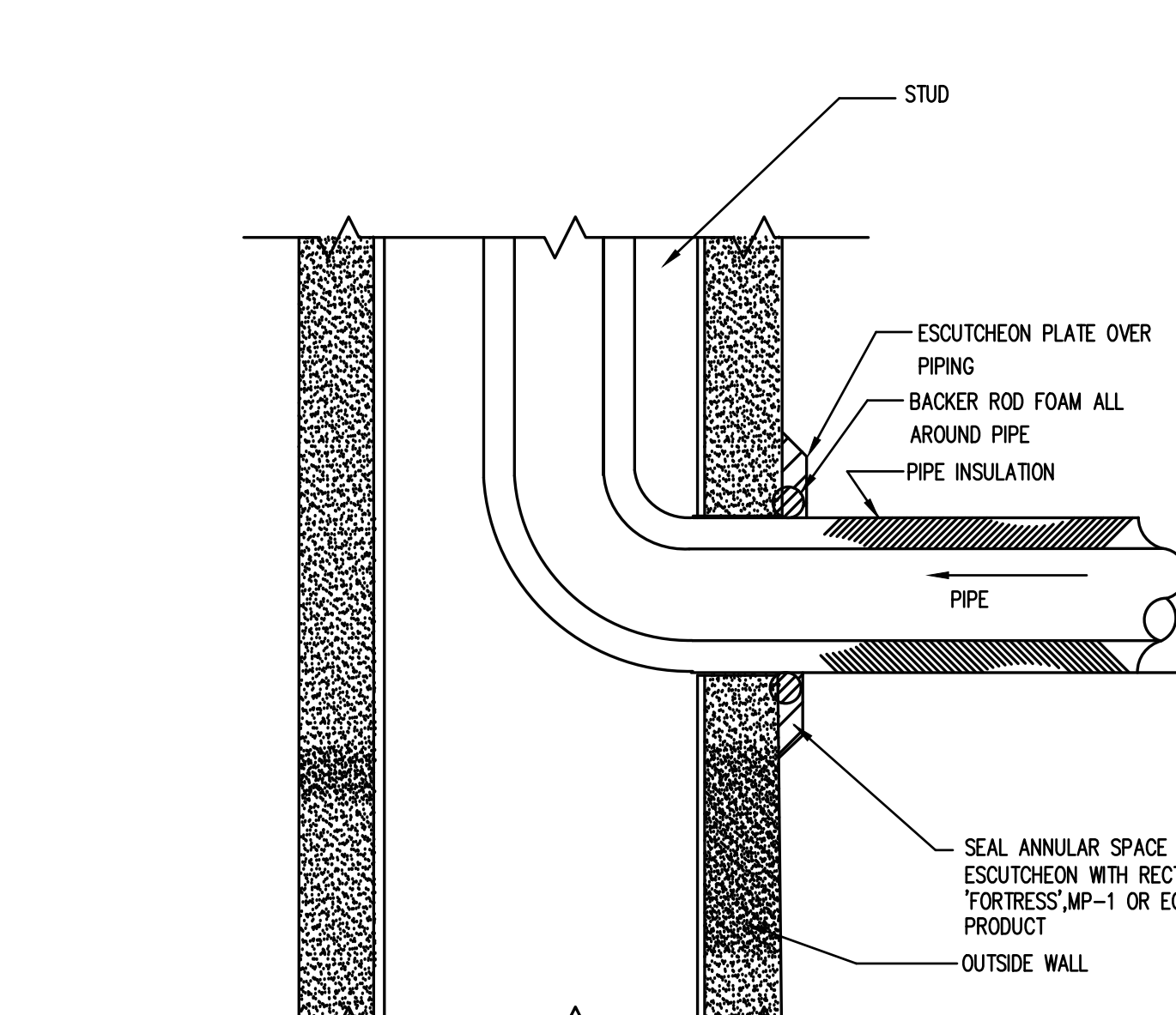
3 TYPICAL GRILLE WITH LINED PLENUM DETAIL
SCALE: N.T.S.



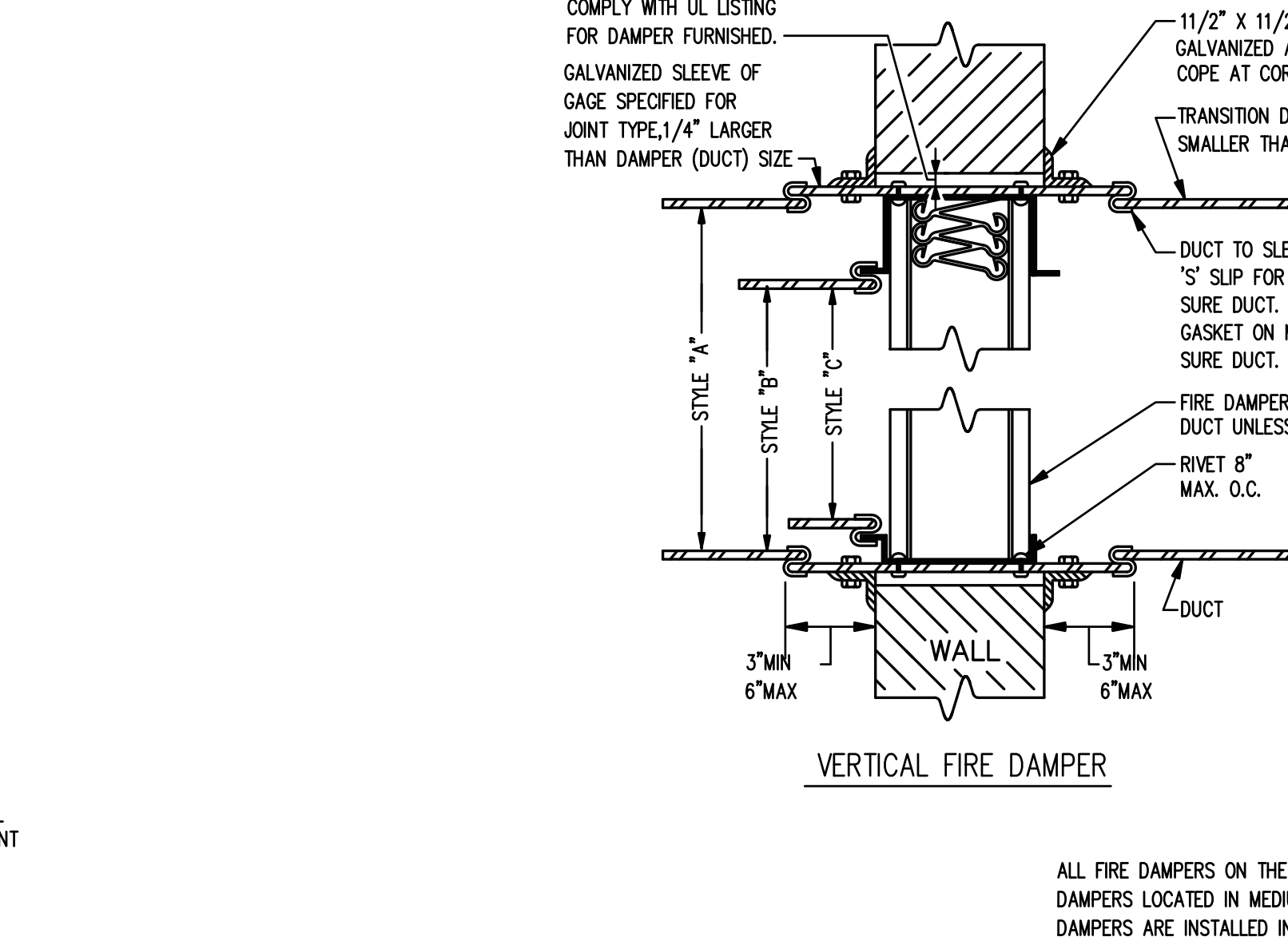
4 EXTERIOR BASE FOR GROUND MOUNTED PACKAGED UNITS - DETAIL
SCALE: N.T.S.



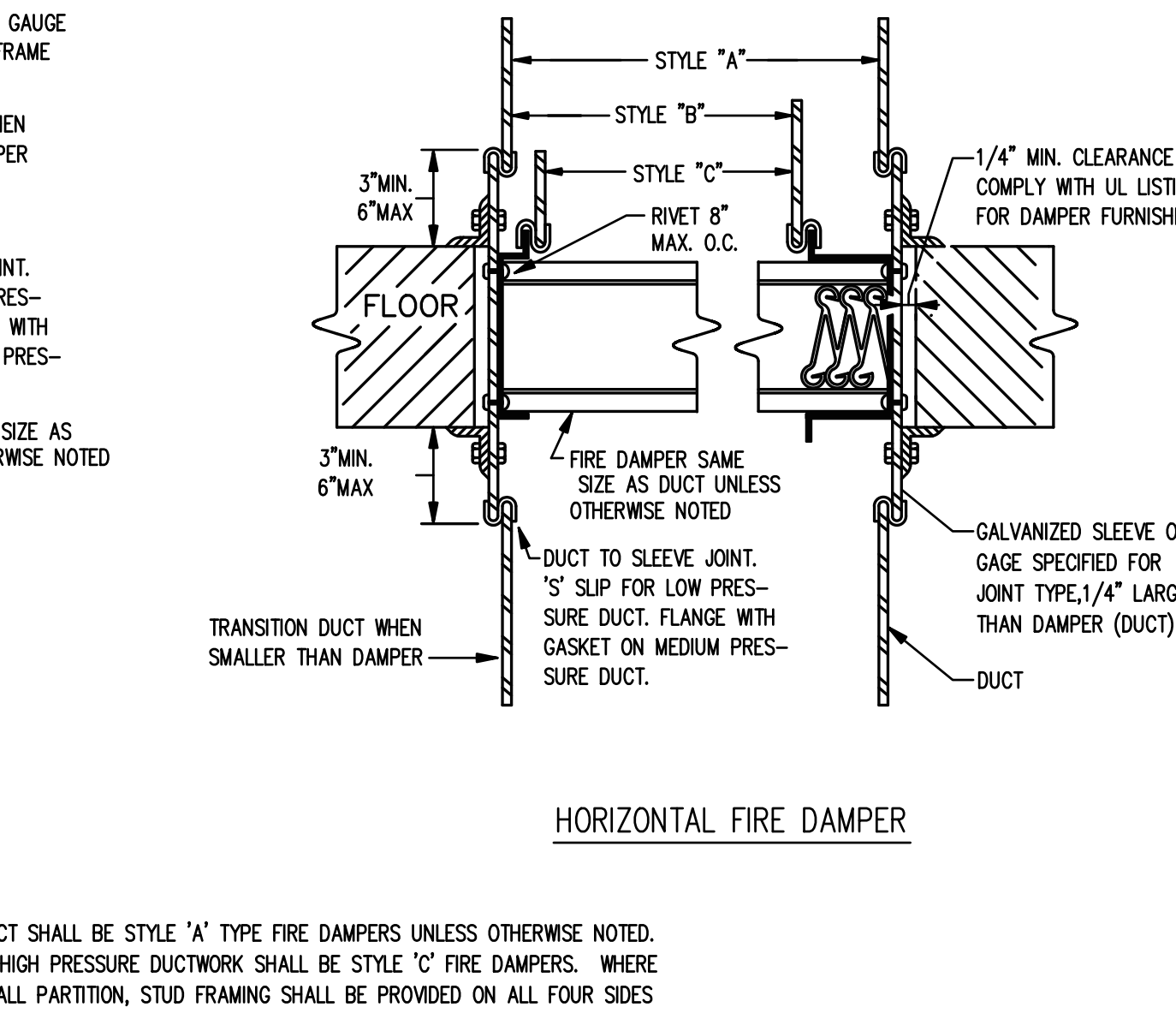
5 DIFFUSER RUN OUT DETAIL
SCALE: N.T.S.



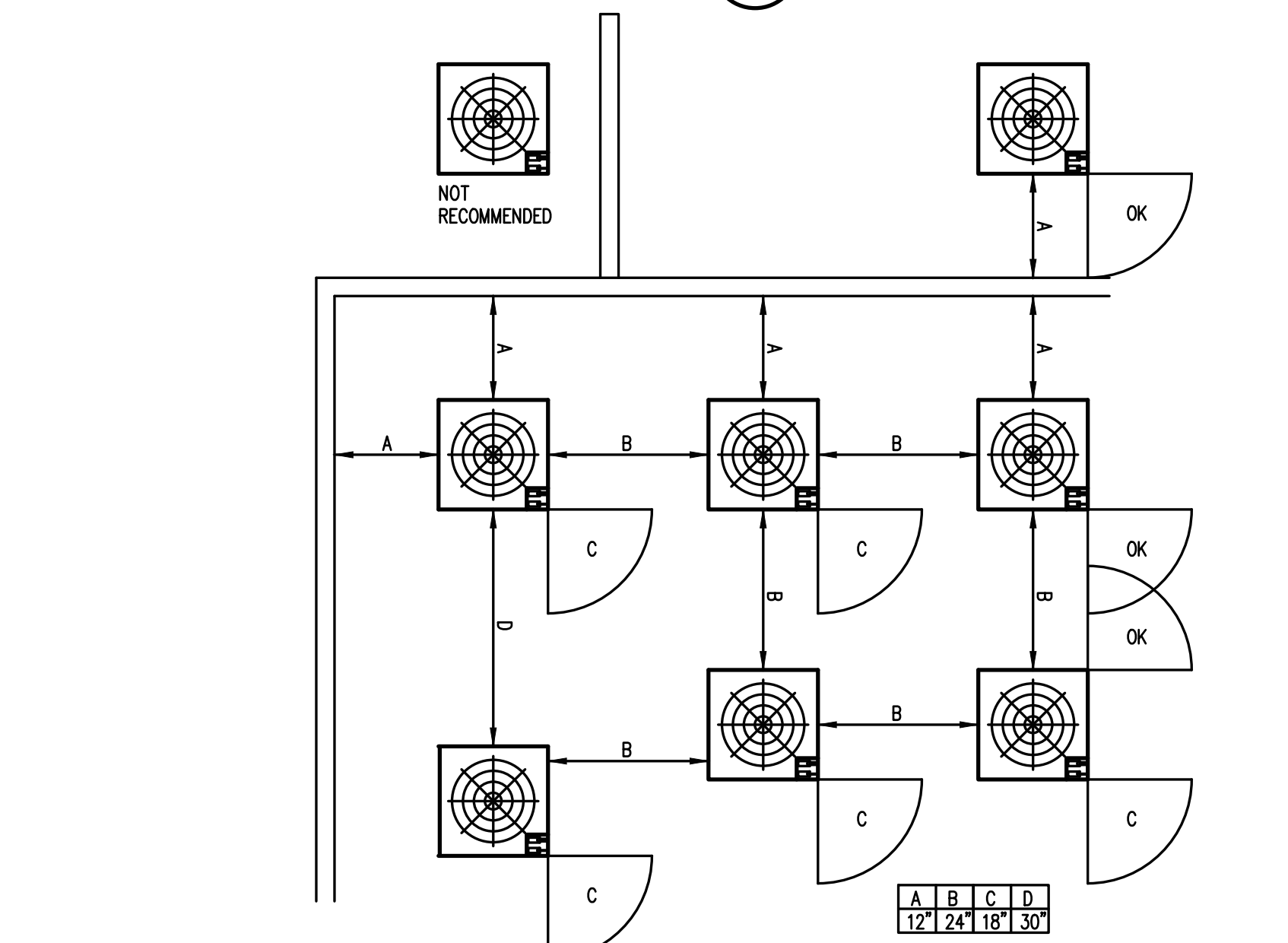
6 REFRIGERANT PIPE SLEEVE THROUGH WALL DETAIL
SCALE: N.T.S.



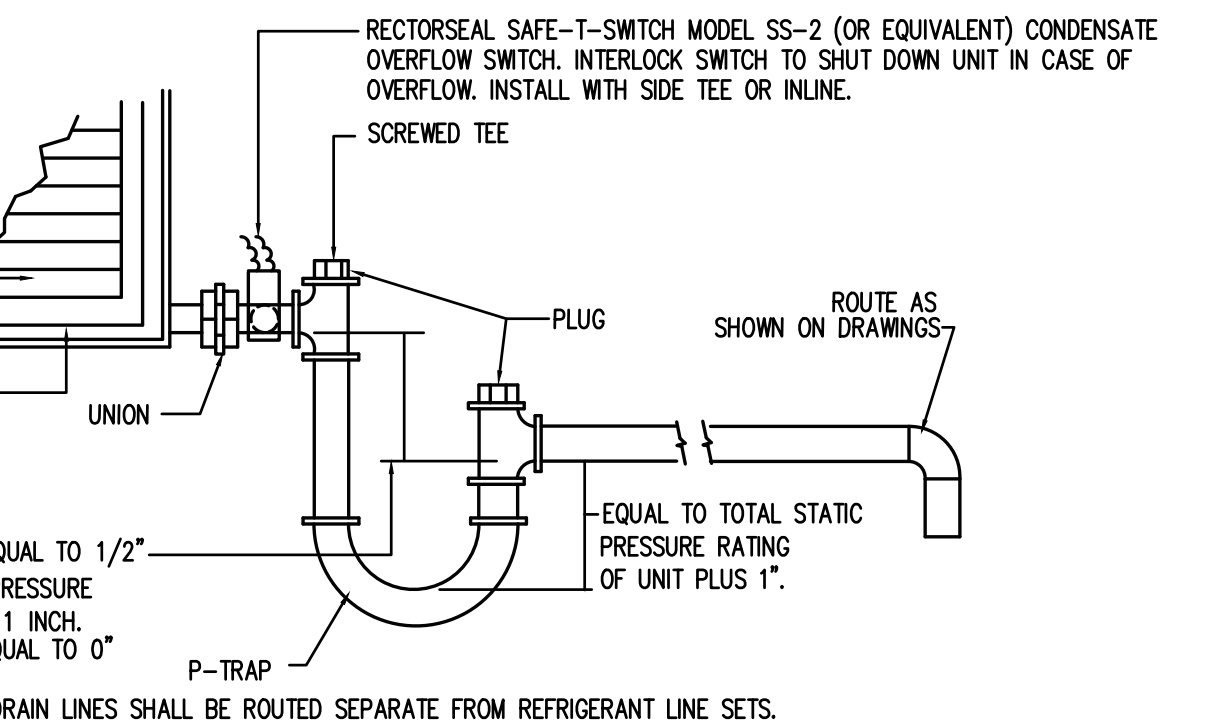
7 FIRE DAMPER DETAIL
SCALE: N.T.S.



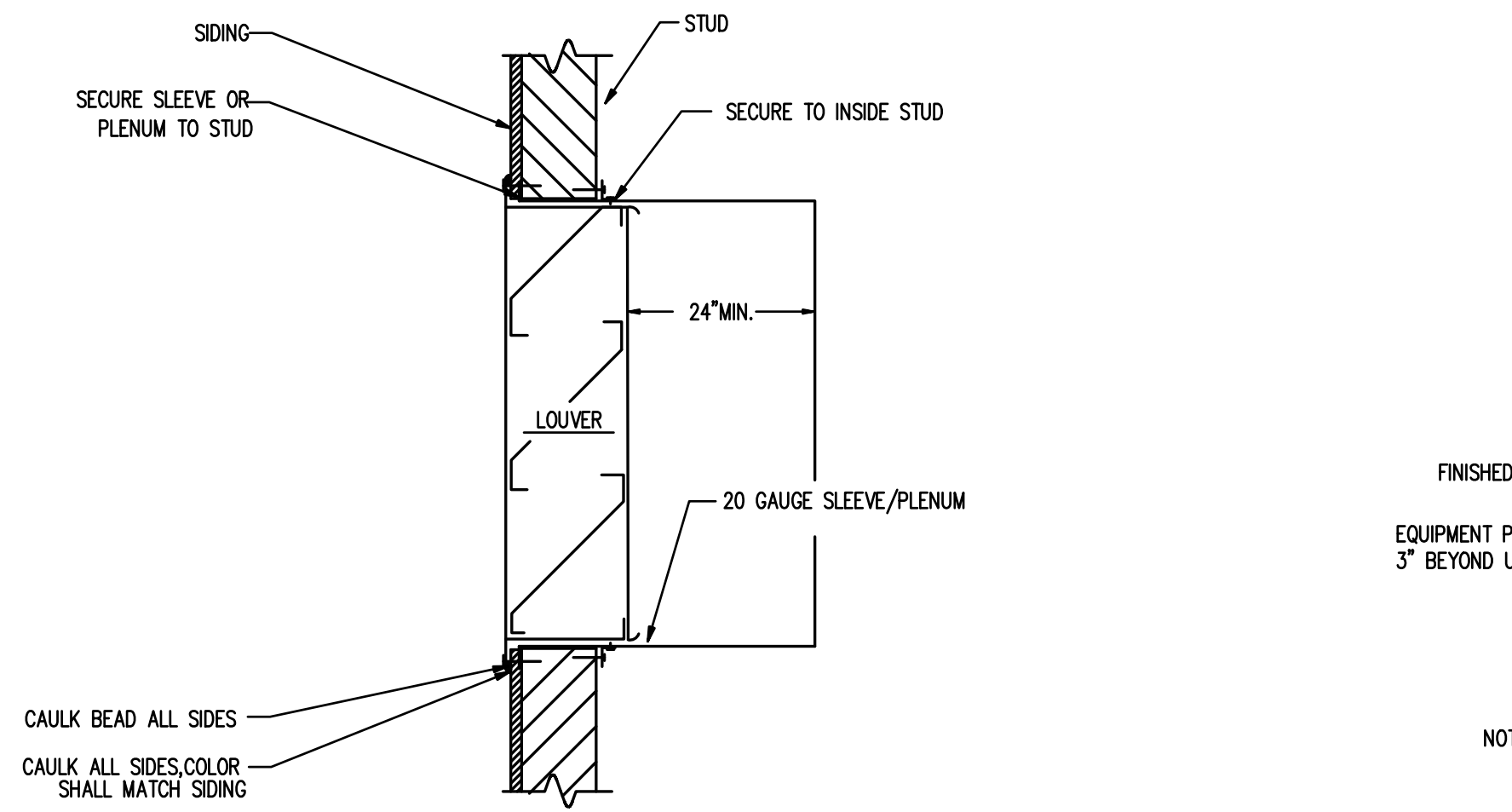
8 CONDENSER SPACING DETAIL
SCALE: N.T.S.



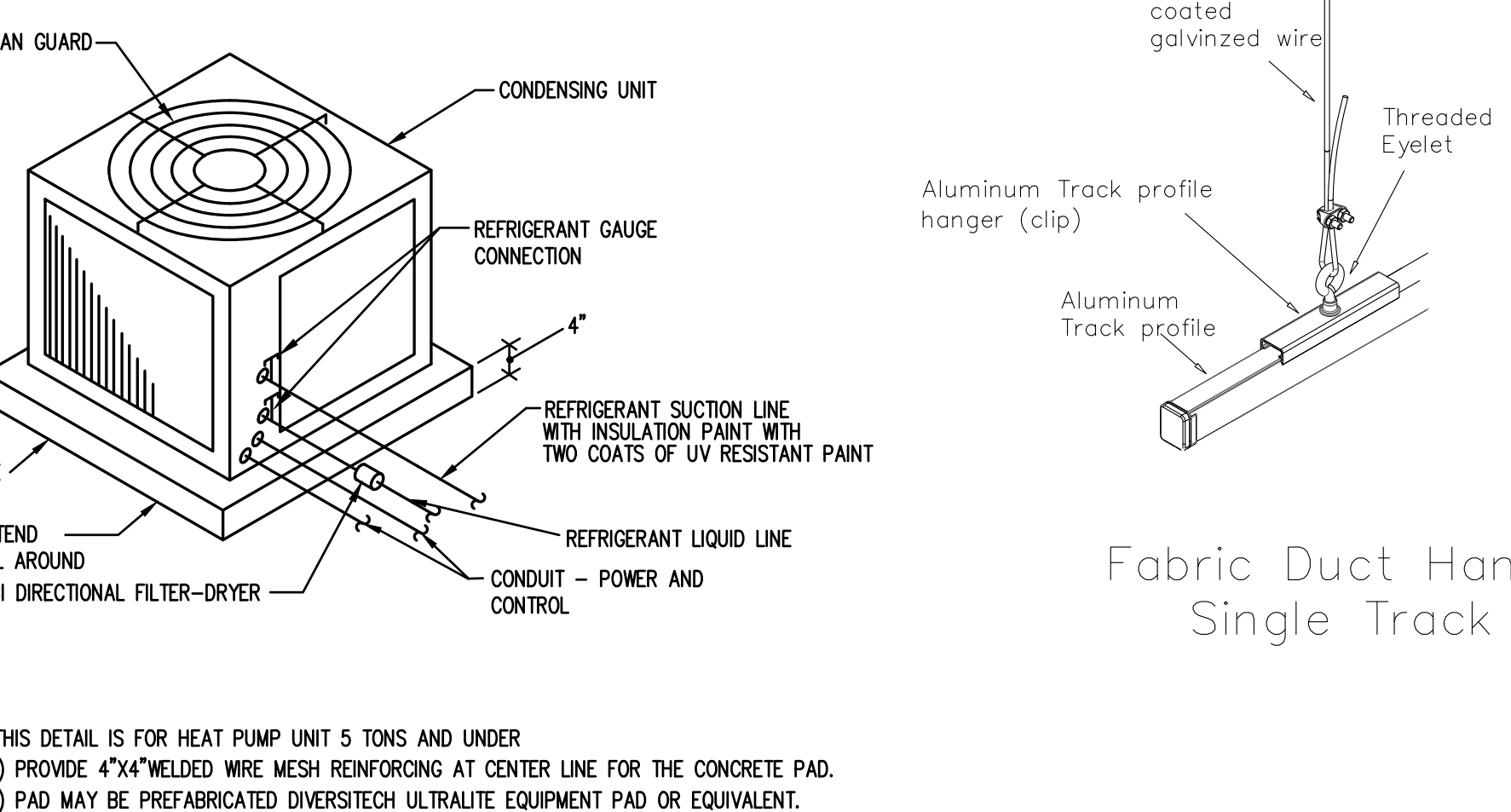
9 CEILING EXHAUST FAN W/SIDEWALL DISCHARGE-DETAIL
SCALE: N.T.S.



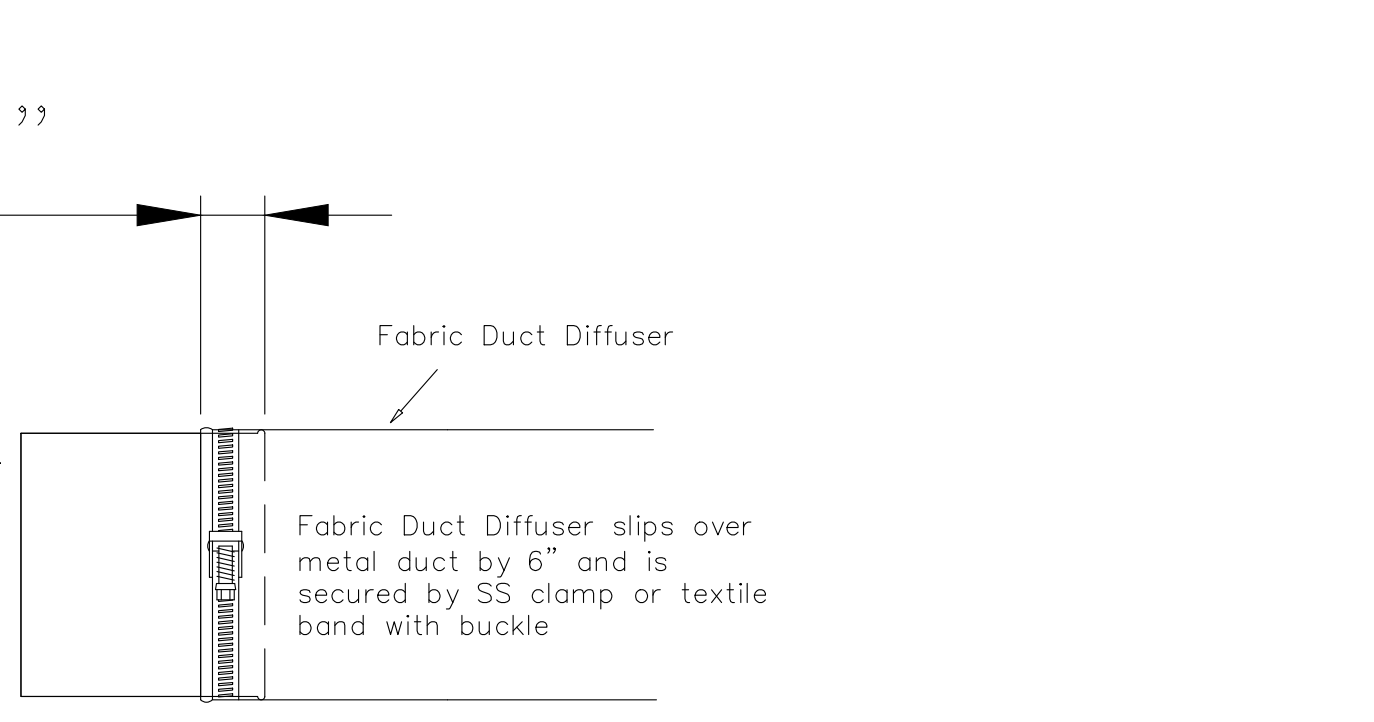
10 CONDENSATE DRAIN DETAIL
SCALE: N.T.S.



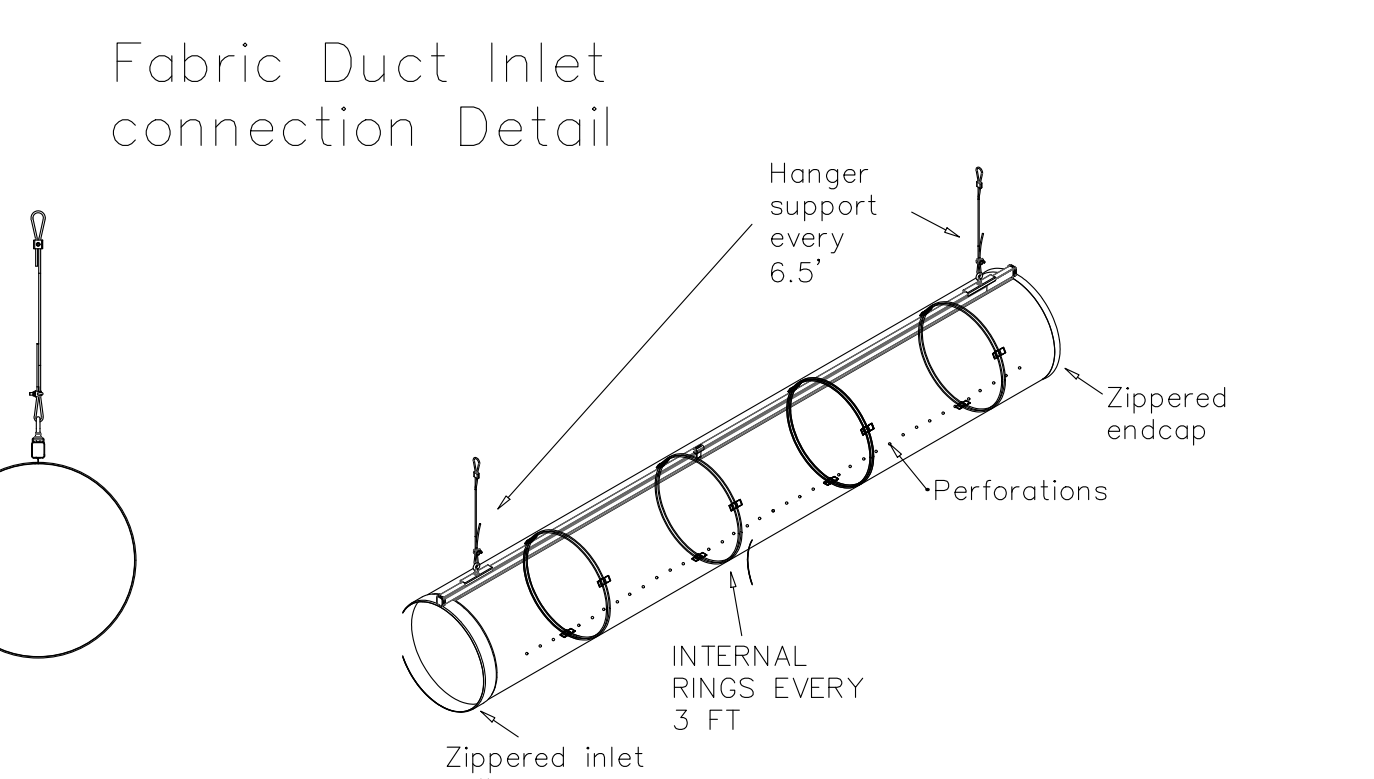
11 T-STAT DETAIL
SCALE: N.T.S.



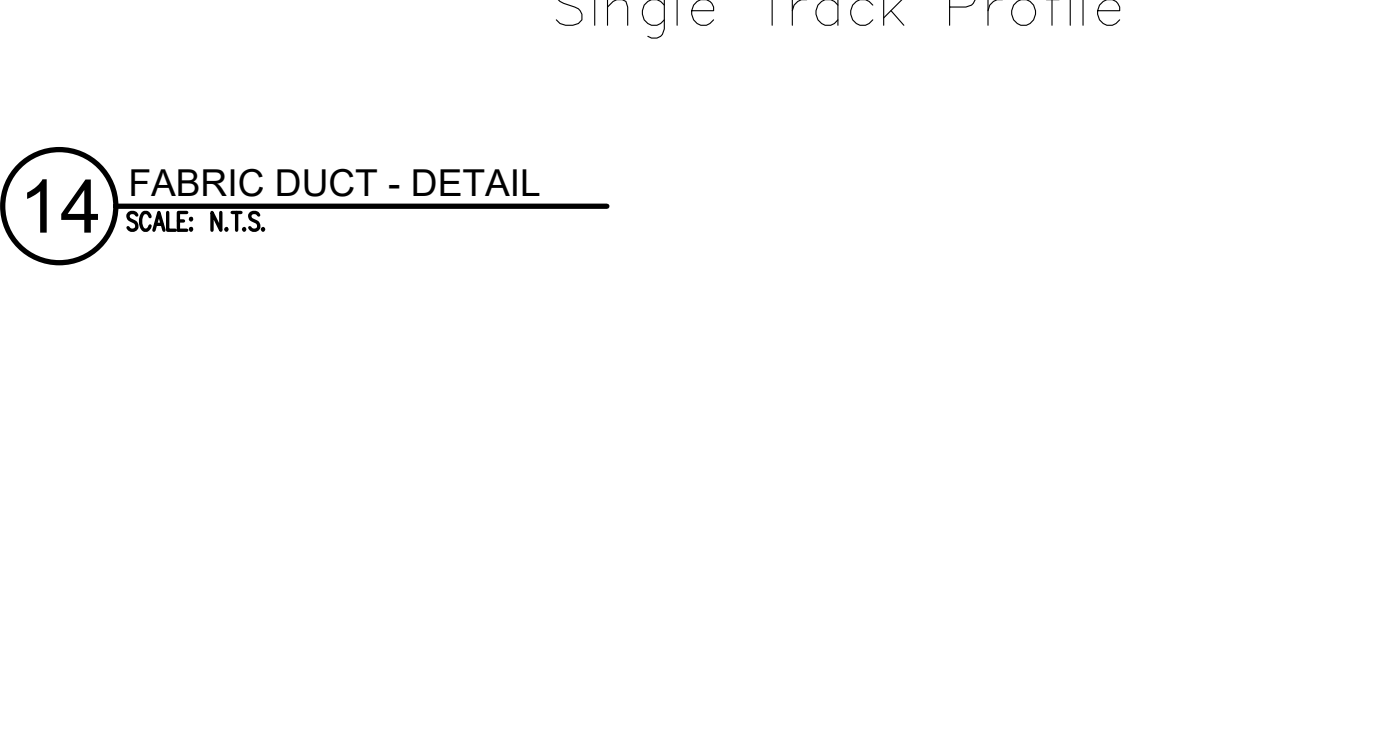
12 WALL MOUNTED LOUVER WITH PLENUM IN STUD WALL
SCALE: N.T.S.



13 AIRCOOLED CONDENSING UNIT SLAB MOUNTED
SCALE: N.T.S.



Fabric Duct Inlet connection Detail



Fabric Duct Hanger Detail Single Track Profile
Fabric duct Installation Detail Single Track Profile

JOB NO.:	02405
DRAWN BY:	JWK/KMP
CHECKED BY:	KMP
DATE:	12.02.24
DESCRIPTION:	CD-REVIEW-DOCS
DATE:	00.00.24
DESCRIPTION:	DD-REVIEW
DATE:	00.00.24
DESCRIPTION:	CD-REVIEW
DATE:	12.02.24
DESCRIPTION:	BID-CONSTRUCTION
DATE:	00.00.24
REVISIONS:	
1	
2	
3	
4	
5	
6	
7	
8	
9	
10	

THESE DRAWINGS ARE THE PROPERTY OF GMARCHITECT AND ARE NOT TO BE REPRODUCED OR HELD WITHOUT PERMISSION AND CREDIT.
COPYRIGHT © 2024