

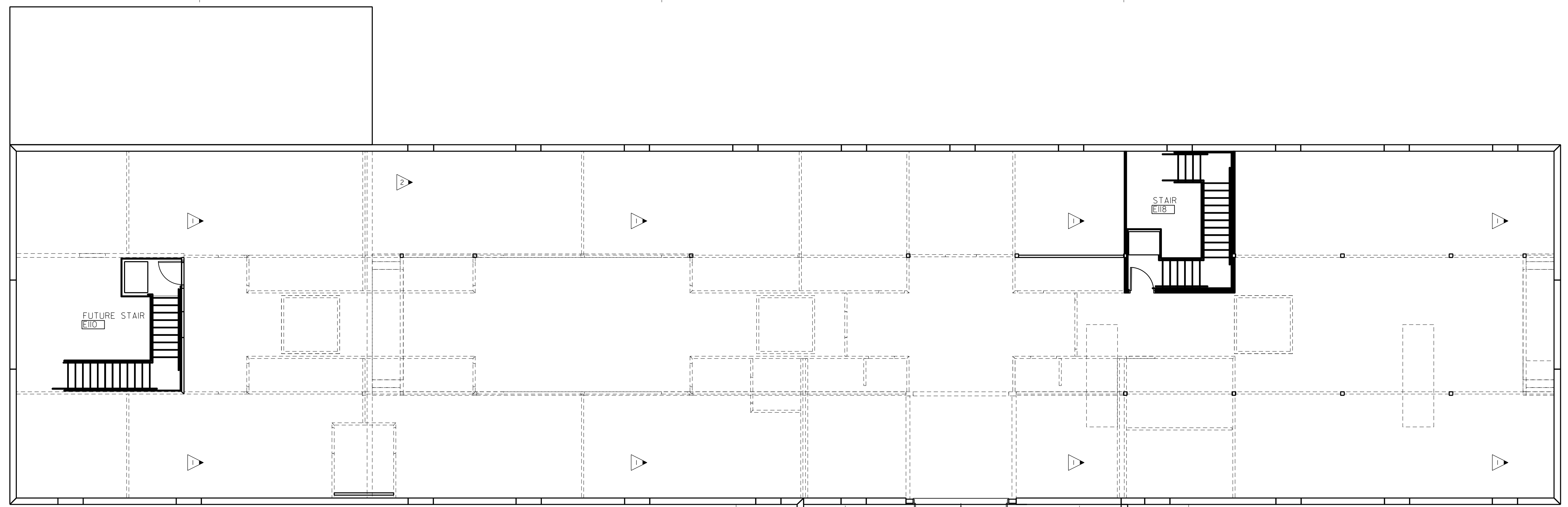
JOB NO.:	02405	
DRAWN BY:	TW	
CHECKED BY:	JM	
DATE:	07.24.2025	
DESCRIPTION:	ISSUE	
DATE:	07.24.2025	
DESCRIPTION:		
DATE:		
DESCRIPTION:		
DATE:		
REVISIONS:		
1	8	02.09.26
2	9	
3	10	
4	11	
5	12	
6	13	
7	14	

THESE DRAWINGS ARE THE PROPERTY OF GM ARCHITECT AND ARE NOT TO BE REPRODUCED OR HELD WITHOUT PERMISSION AND CREDIT.  
COPYRIGHT: (C) 2024

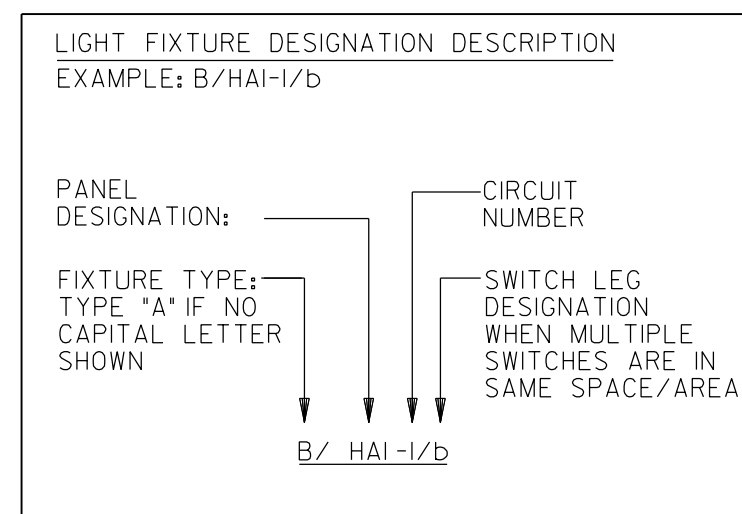
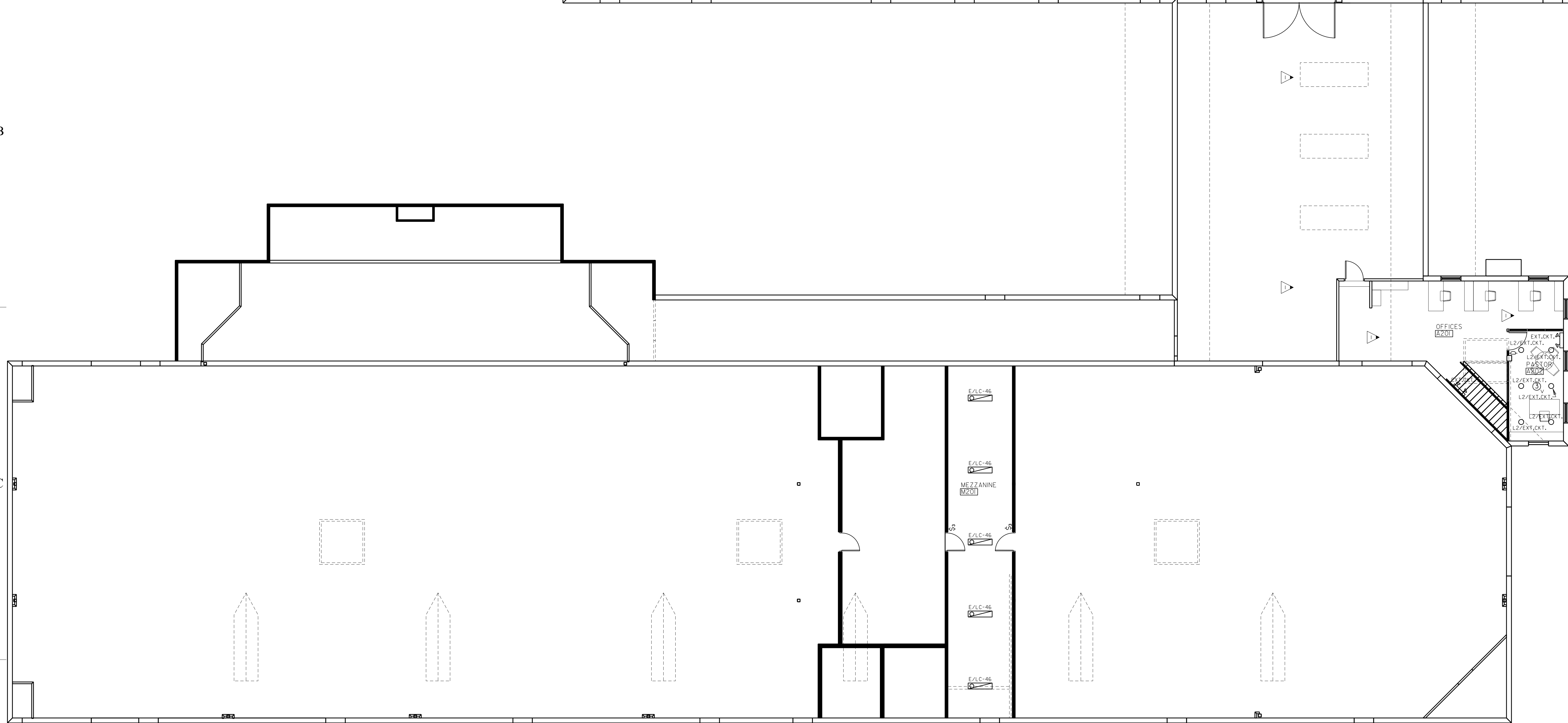
SHEET

**E2.3**

OF

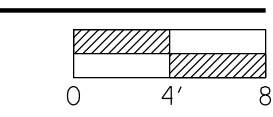


**GENERAL NOTES:** (THIS SHEET ONLY)  
A. SEE SHEET E2.1 FOR GENERAL NOTES.



**KEYED NOTES:** (THIS SHEET ONLY)  
▶ NO NEW WORK IN AREA DURING PHASE (UNLESS NOTED OTHERWISE).

**1 SECOND FLOOR PLAN - LIGHTING**  
E2.3 SCALE: 1/8"=1'-0"



PROVIDE ALL BRANCH CIRCUIT CONDUIT/CONDUCTORS AS NECESSARY TO CONNECT ALL DEVICES SHOWN ON THE CIRCUIT. PROVIDE DEDICATED NEUTRALS FOR ALL CIRCUITS. (STRIPED NEUTRAL WITH PHASE COLOR STRIPING)