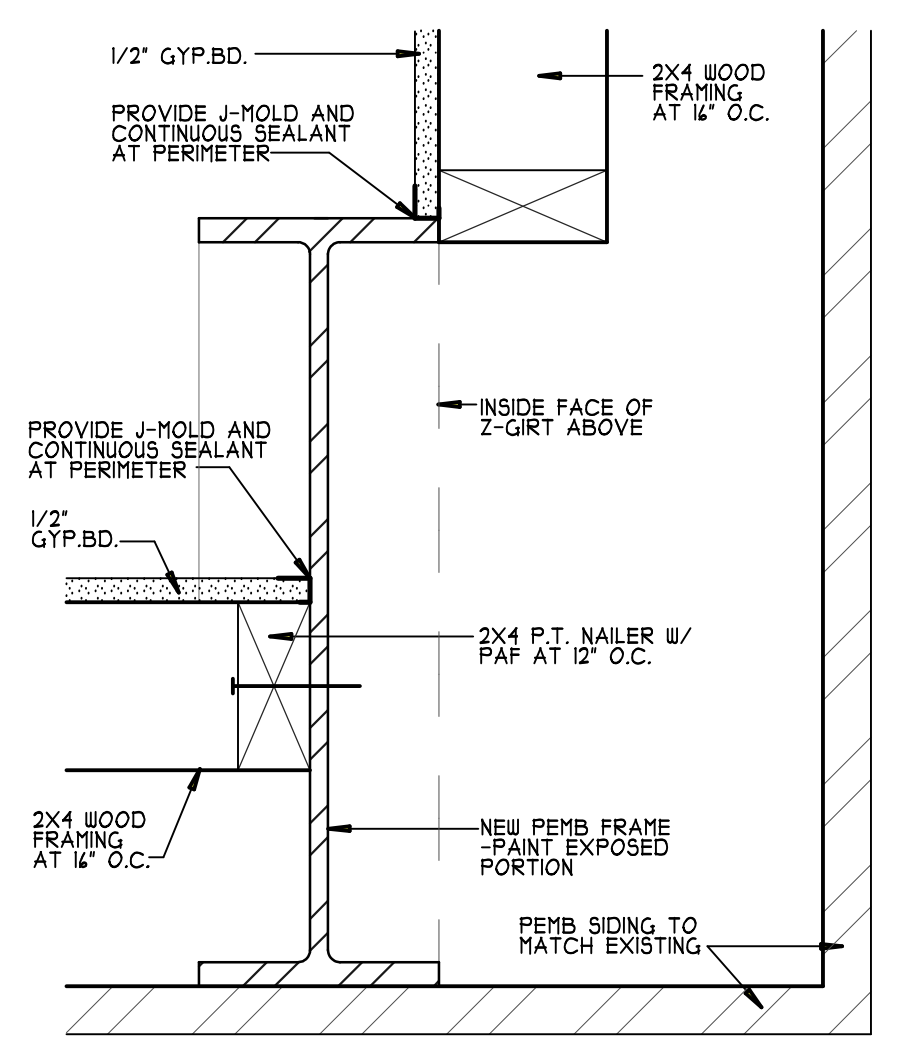
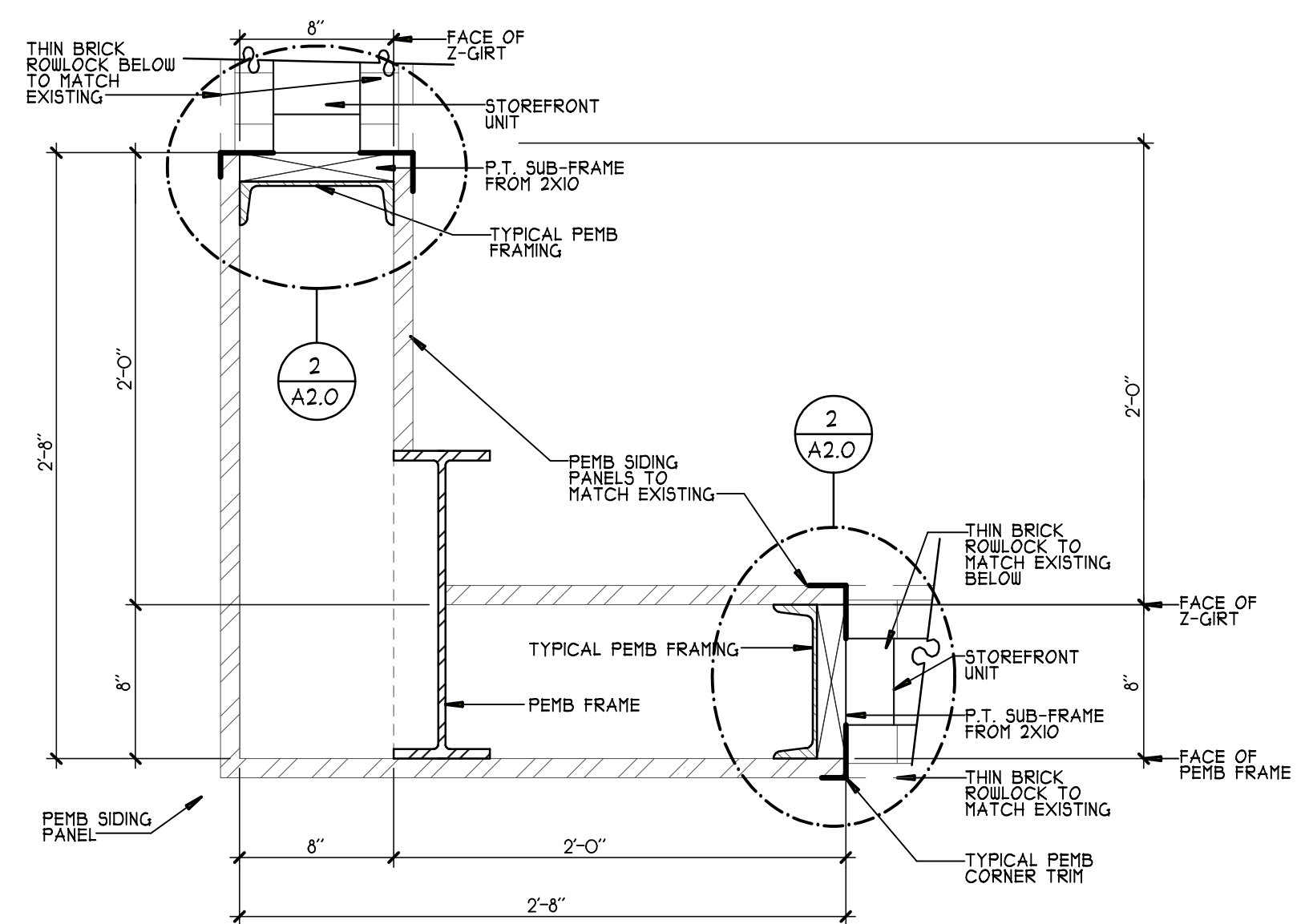


DRAWINGS AND SPECIFICATIONS ARE INSTRUMENTS OF SERVICE AND SHALL REMAIN THE PROPERTY OF THIS CORPORATION WHETHER THE PROJECT FOR WHICH THEY ARE MADE IS EXECUTED OR NOT. THEY ARE NOT TO BE USED ON OTHER PROJECTS OR EXTENDED TO THIS CORPORATION. AGREEMENT BY SIGNATURE AND APPROPRIATE COMPENSATION TO THIS CORPORATION.

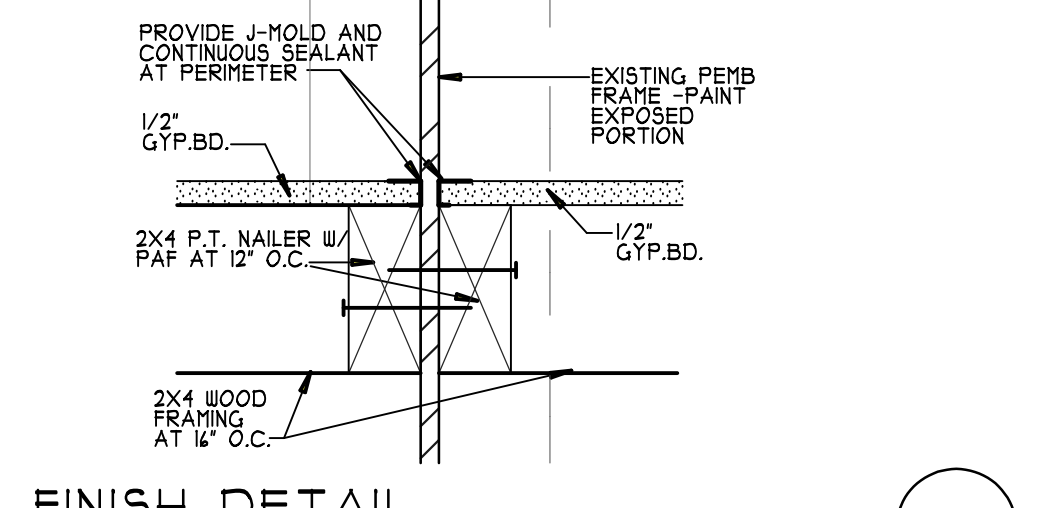


COLUMN TRIM DETAIL
SCALE: 3" = 1'-0"

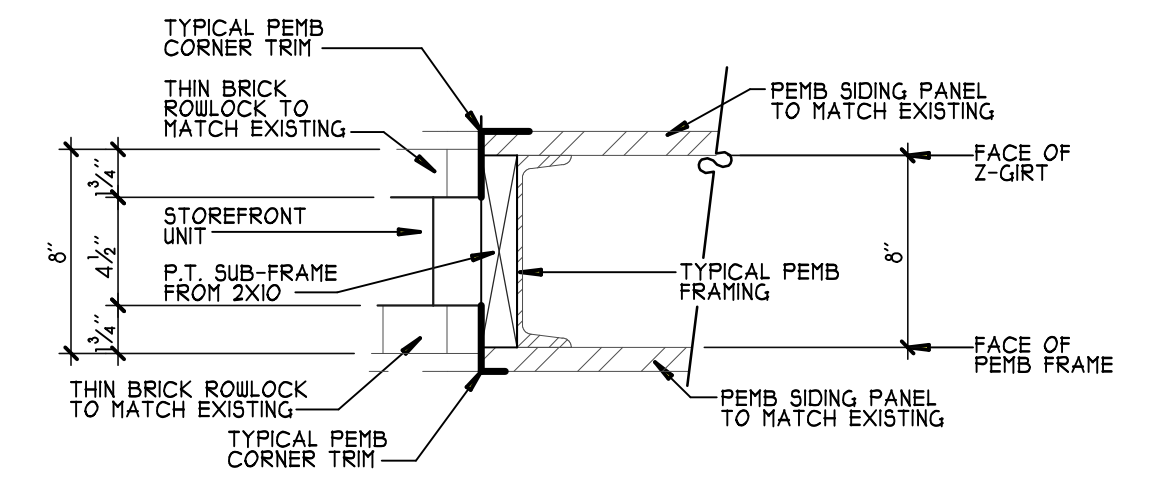
NOT USED
SCALE: 3" = 1'-0"



CORNER DETAIL
SCALE: 1 1/2" = 1'-0"

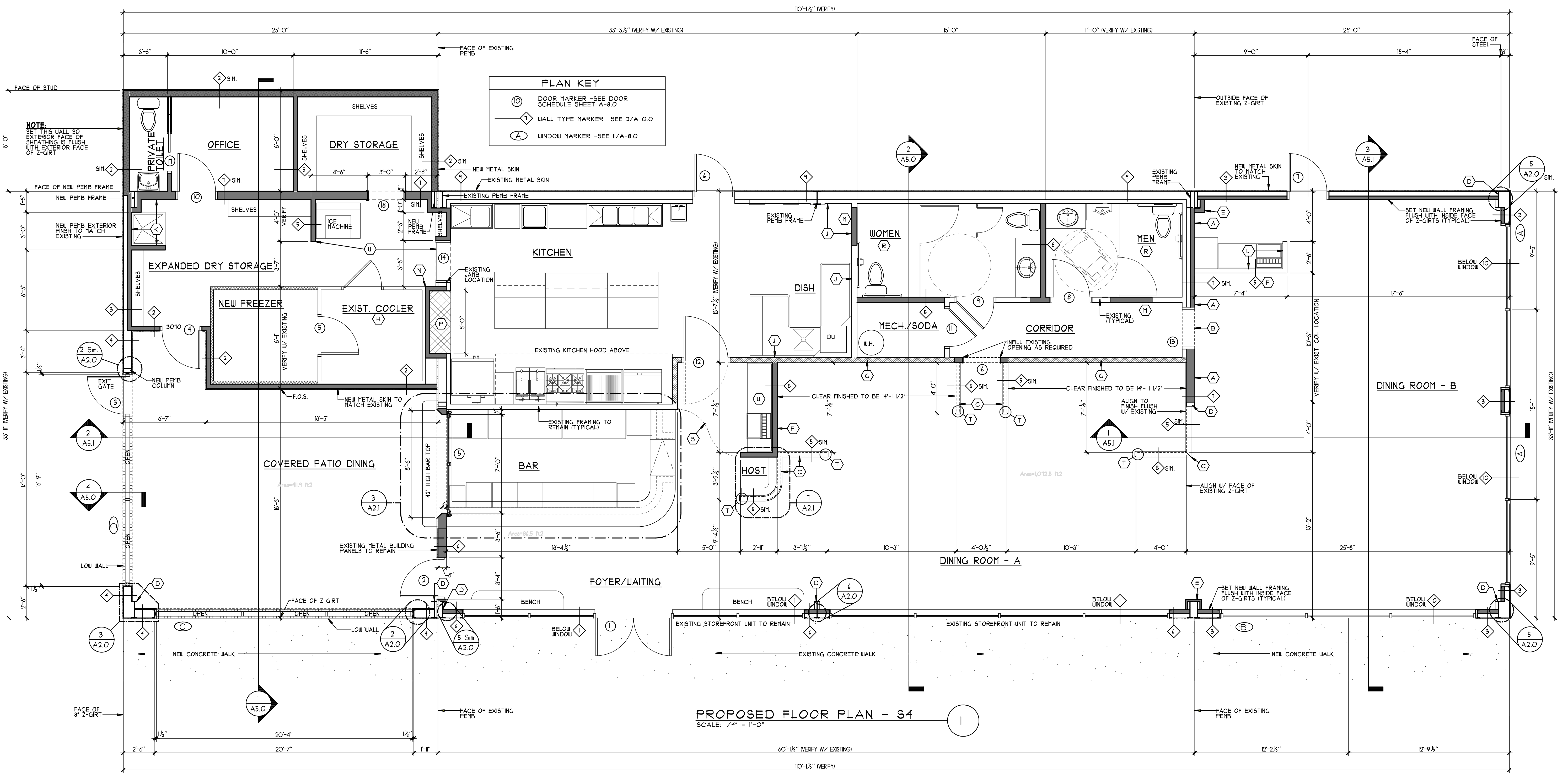


FINISH DETAIL
SCALE: 1 1/2" = 1'-0"



TRANSITION DETAIL
SCALE: 1 1/2" = 1'-0"

HEX NOTES	
(A)	REMOVE EXISTING METAL PANEL SIDING. INFILL BETWEEN GIRTS W/ 2X4 FRAMING AT 12" O.C. AND COVER W/ 5/8" GYP.BD. AS NEW CASSED OPENING
(B)	REMOVE EXISTING DOOR AND PREP FRAME AS NEW CASSED OPENING
(C)	3'-6" HIGH SCREEN WALL W/ WOOD CAP -SEE DETAIL 3/A5.0
(D)	EXPOSED EXISTING PEMB FRAME -CLEAN AND PAINT
(E)	WRAP NEW/EXIST PEMB FRAMES VERTICAL LEGS W/ GYP BD
(F)	FULL HEIGHT WALL
(G)	EXTEND EXISTING WALL FULL HEIGHT TO ROOF DECK
(H)	EXISTING COOLER TO REMAIN -VERIFY SIZE AND CONDITION
(J)	PROVIDE FULL HEIGHT STAINLESS STEEL WALL FINISH
(K)	PROVIDE FRP WALL FINISH TO A POINT 8'-0" A.F.F. AT MOP SINK
(L)	NOT USED
(M)	REMOVE EXISTING DOOR AND FRAME -INFILL OPENING AND FINISH TO MATCH ADJACENT COOLER
(N)	ALIGN NEW WALL W/ FACE OF EXISTING
(P)	PATCH REPAIR AND/OR INFILL AREA AS REQUIRED TO MATCH EXISTING FINISHED FLOOR HEIGHT
(R)	PROVIDE TILE WAINSCOT TO 48" A.F.F.
(S)	LINE OF CEILING ABOVE -SEE REFLECTED CEILING PLAN
(T)	PROVIDE DOUBLE STUD AND SIMPSON RCKW2/RCKW33 (SCREW PATTERN 2) AT END OF WALL
(U)	PROVIDE FRP AT GYP.BD. LOCATIONS TO 8'-0" A.F.F.



PROPOSED FLOOR PLAN - S4
SCALE: 1/4" = 1'-0"

NO.	DATE	REVISIONS	DESCRIPTION

DATE OF THIS PLOT:
Wednesday, March 11, 2026

SEAL
STATE OF GEORGIA
HOMER LEWIS
REGISTERED ARCHITECT
13112008

Homer Lewis & Associates, Inc.
230 River Cove Meadows
Social Circle, Ga. 30025
(678) 210-1007

RESTAURANT BUILDOUT AND ADDITION FOR EAST HAVEN, LLC
651 OLD PHOENIX ROAD
EATONTON, GEORGIA 31024

RELEASED FOR CONSTRUCTION

DRAWN	BTL
CHECKED	HRL
JOB NUMBER	2515
SCALE	AS NOTED
DATE	MARCH 11, 2026
SHEET	A-2.0

2 OF 4