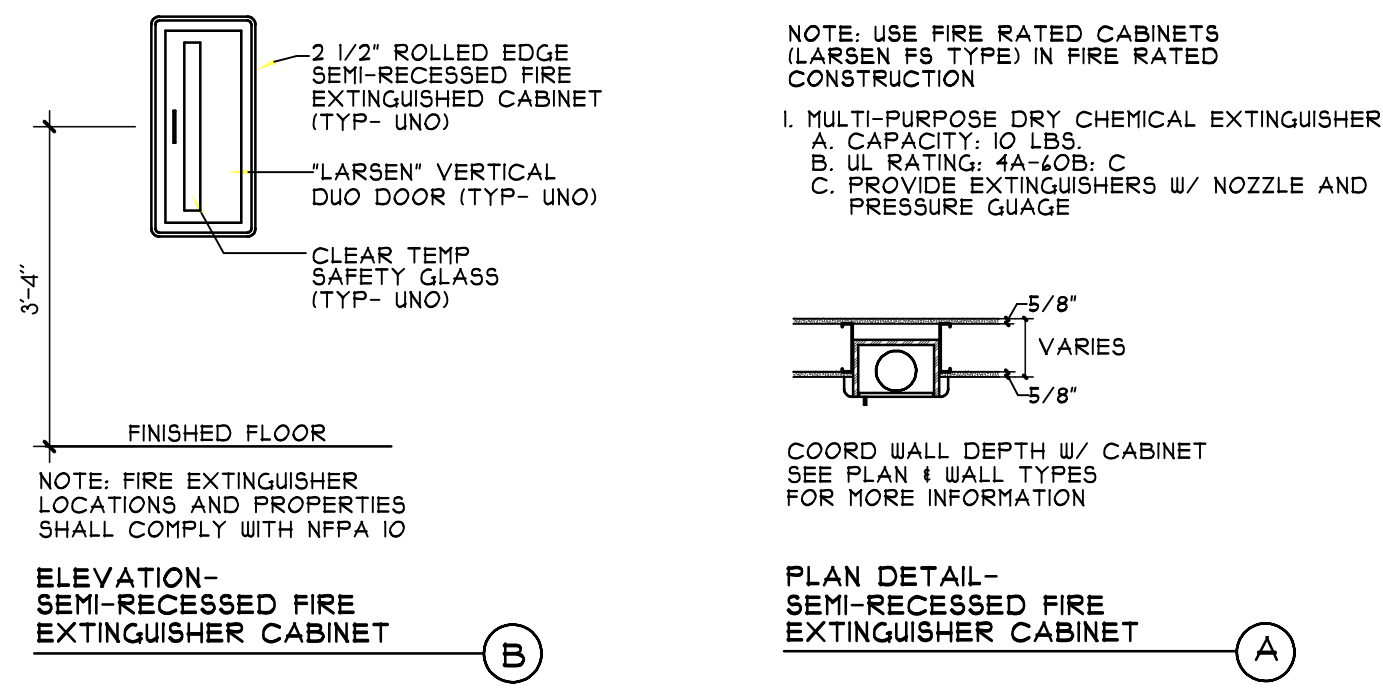


DRAWINGS AND SPECIFICATIONS ARE INSTRUMENTS OF SERVICE AND SHALL REMAIN THE PROPERTY OF THIS CORPORATION WHETHER THE PROJECT FOR WHICH THEY ARE MADE IS EXECUTED OR NOT. THEY ARE NOT TO BE USED ON OTHER PROJECTS OR EXTENDED TO THIS CORPORATION WITHOUT THE WRITTEN AND APPROPRIATE CONSENT OF THIS CORPORATION.



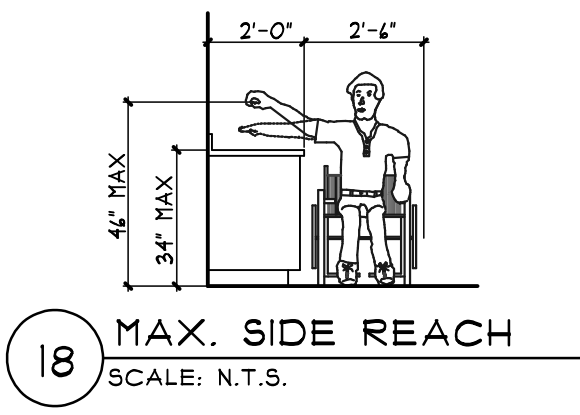
19 FIRE EXTINGUISHER
SCALE: 1/2" = 1'-0"

NOTE: USE FIRE RATED CABINETS (LARSEN'S TYPE) IN FIRE RATED CONSTRUCTION.
I. MULTI-PURPOSE DRY CHEMICAL EXTINGUISHER:
A. CAPACITY: 10 LBS.
B. UL RATING: 1A-10B, C
C. PROVIDE EXTINGUISHERS W/ NOZZLE AND PRESSURE GAUGE

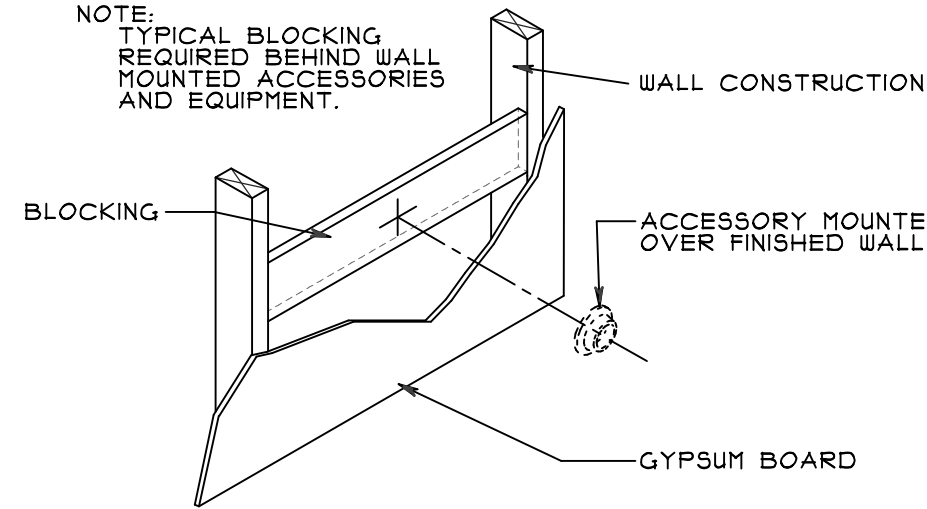
NOTE: FIRE EXTINGUISHER LOCATIONS AND PROPERTIES SHALL COMPLY WITH NFPA 10

NOTE: COORD WALL DEPTH W/ CABINET SEE PLAN I WALL TYPES FOR MORE INFORMATION

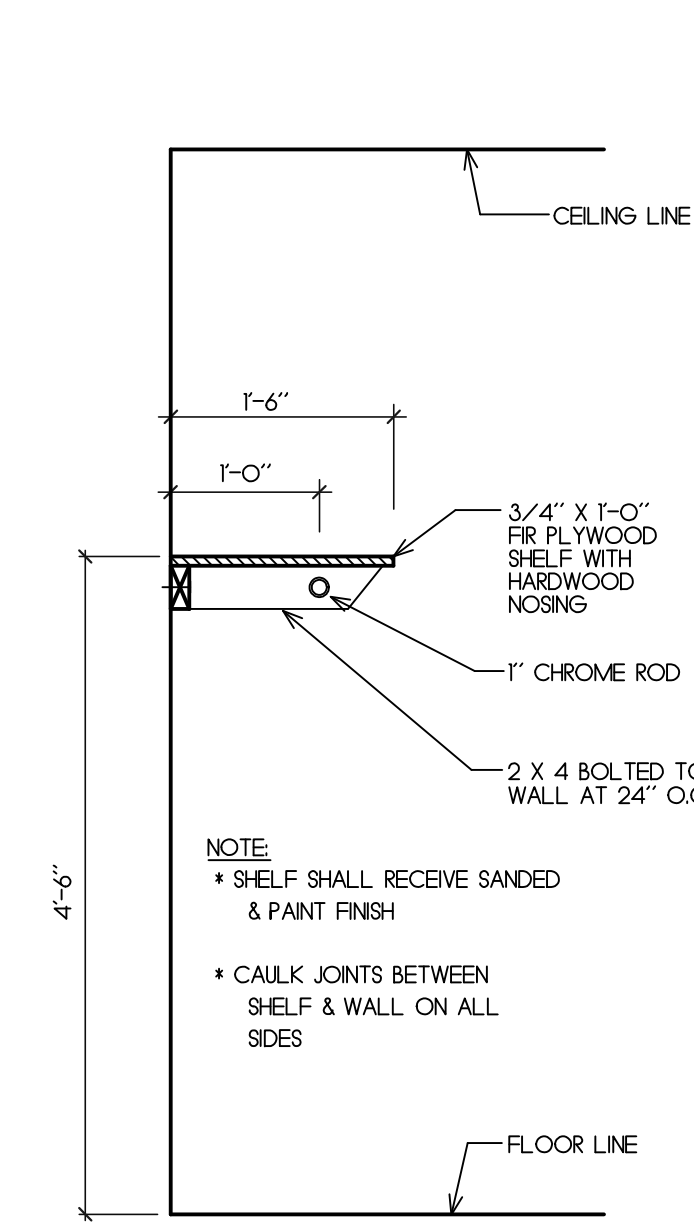
NOTE
THE DETAILS ON THIS SHEET ARE GENERIC AND ARE THE MINIMUM REQUIRED TO MEET ADA COMPLIANCE.
REFER TO THE FLOOR PLAN, SECTIONS AND INTERIOR ELEVATIONS FOR THE PROPOSED ADA ELEMENTS AS SOME DETAILS MAY NOT BE RELEVANT.
NOTIFY THE ARCHITECT IMMEDIATELY SHOULD THE PROPOSED ELEMENTS CONFLICT WITH THE MINIMUM REQUIRED.



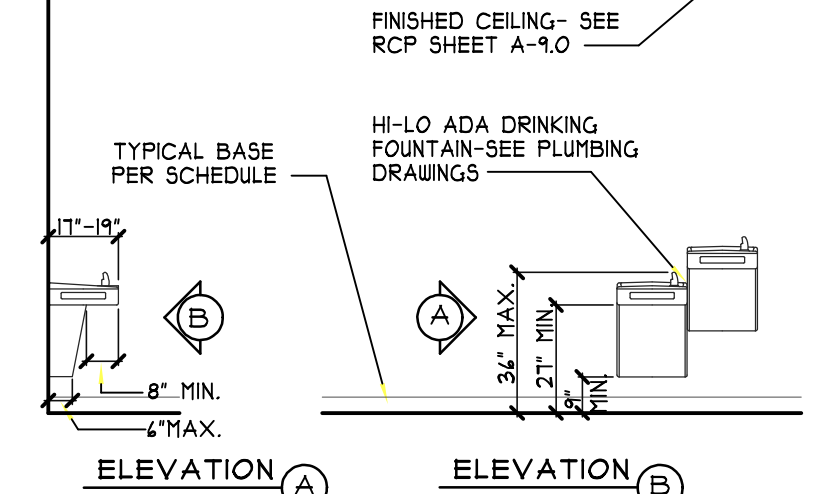
18 MAX. SIDE REACH
SCALE: N.T.S.



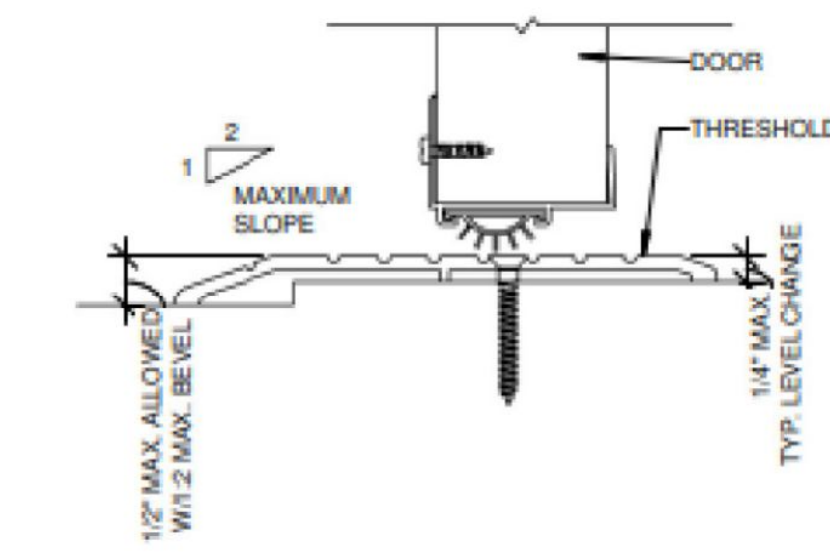
17 TYPICAL BLOCKING DETAIL
SCALE: N.T.S.



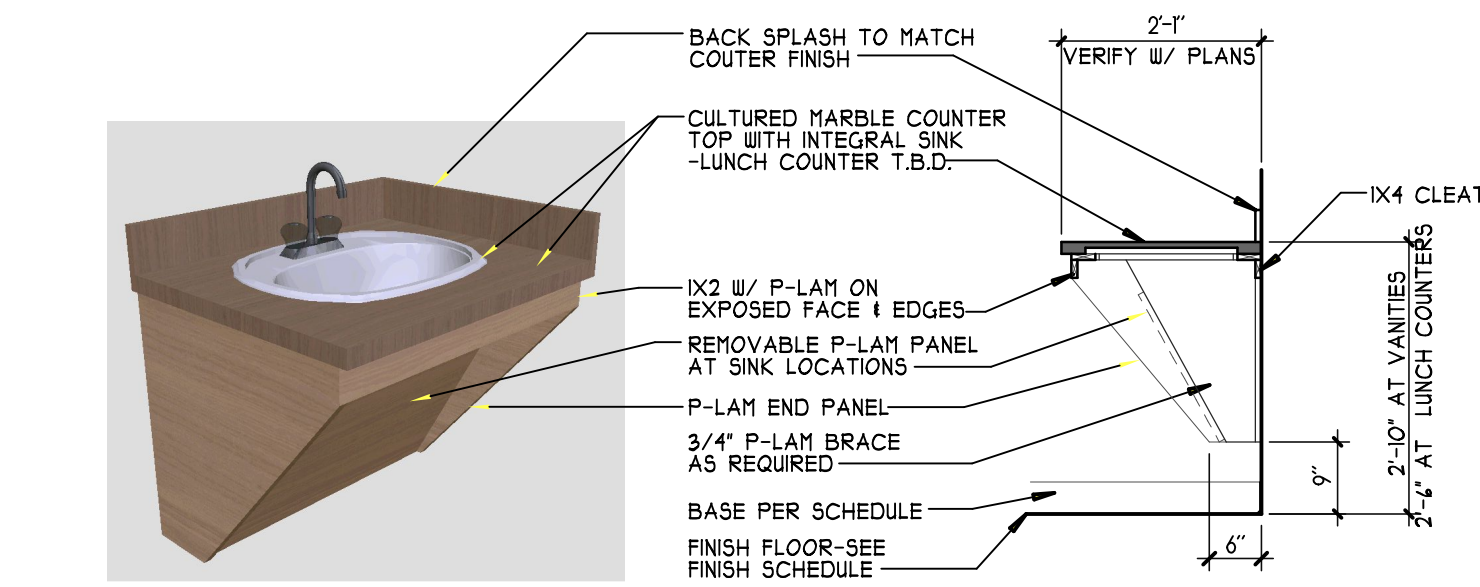
12 ADA CLOSET DETAIL
SCALE: 3/4" = 1'-0"



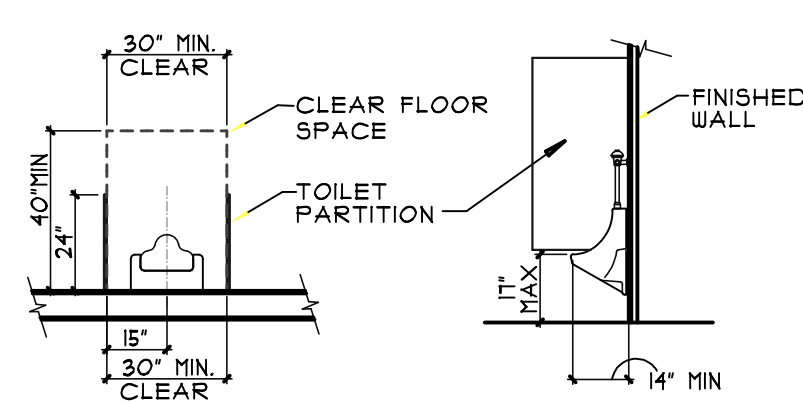
11 DRINKING FOUNTAIN
SCALE: 1/4" = 1'-0"



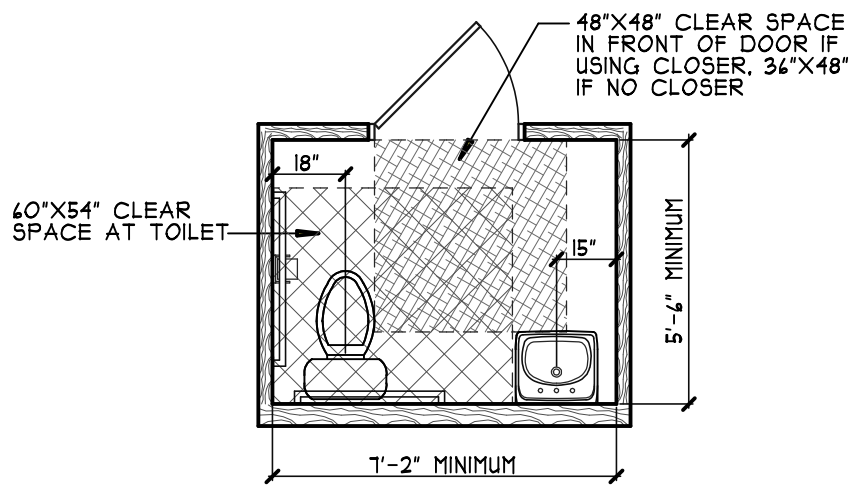
10 ADA THRESHOLD DETAIL
SCALE: N.T.S.



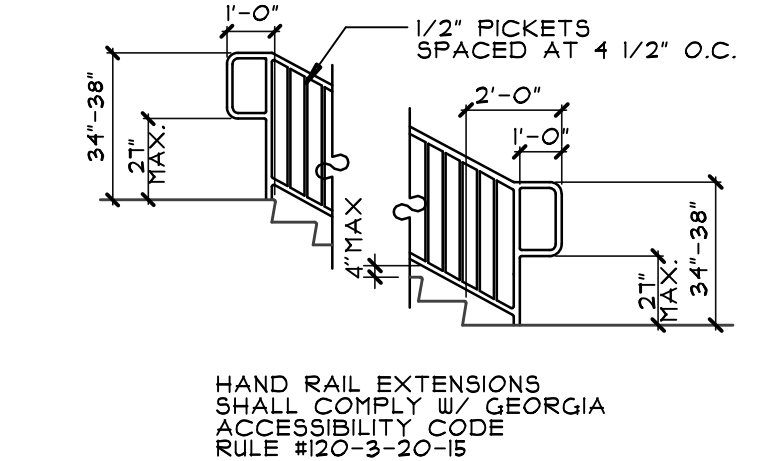
16 VANITY/LUNCH COUNTER DETAIL
SCALE: 1/2" = 1'-0"



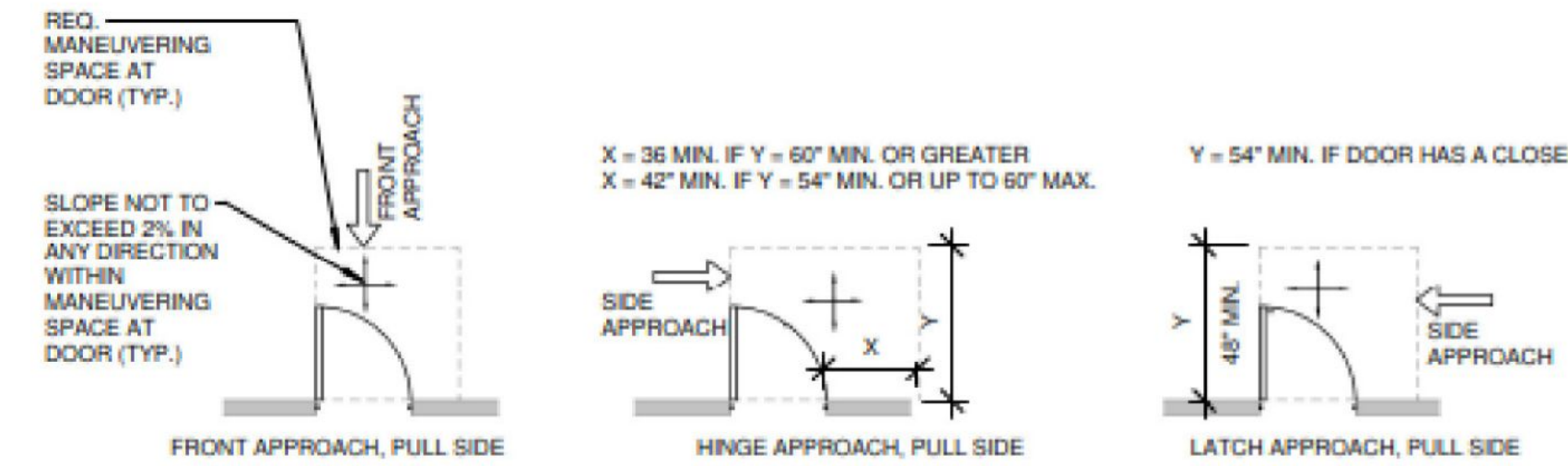
15 TYPICAL URINAL
SCALE: N.T.S.



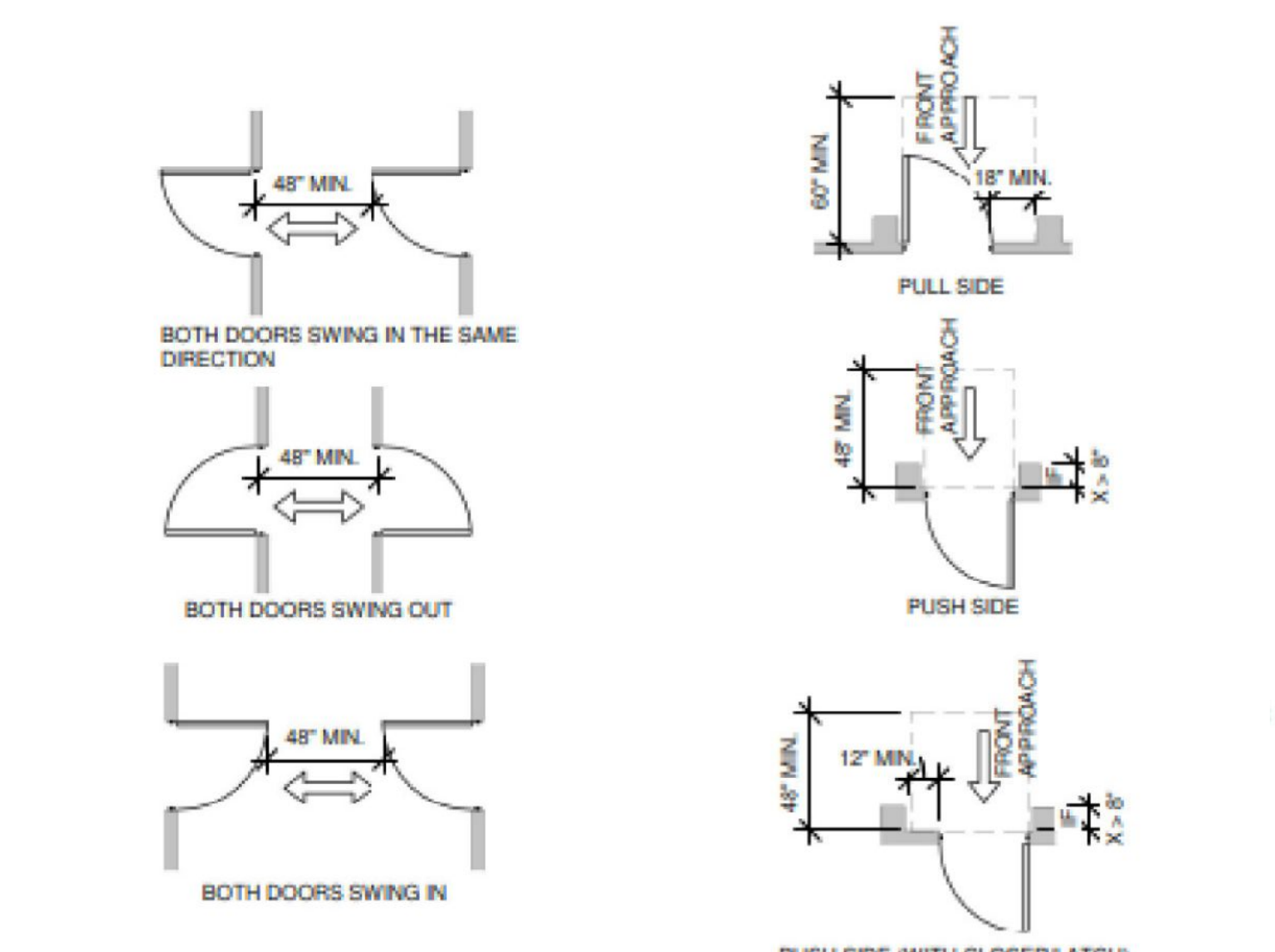
14 TYPICAL TOILET ROOM DETAIL
SCALE: N.T.S.



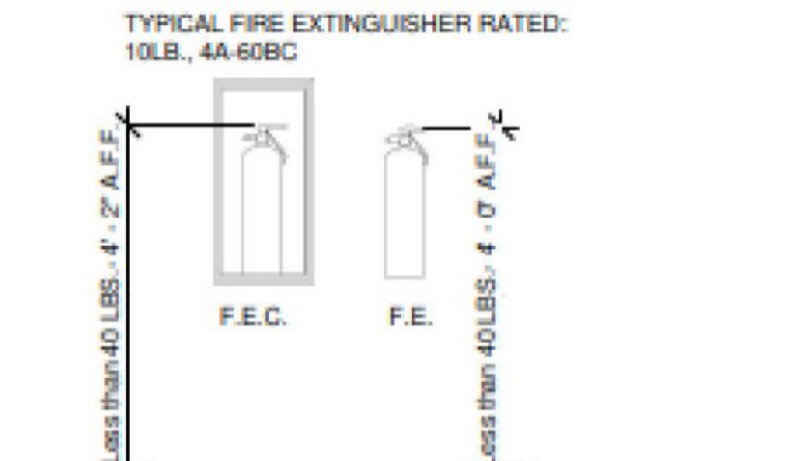
13 EXTERIOR HAND RAIL DETAIL
SCALE: N.T.S.



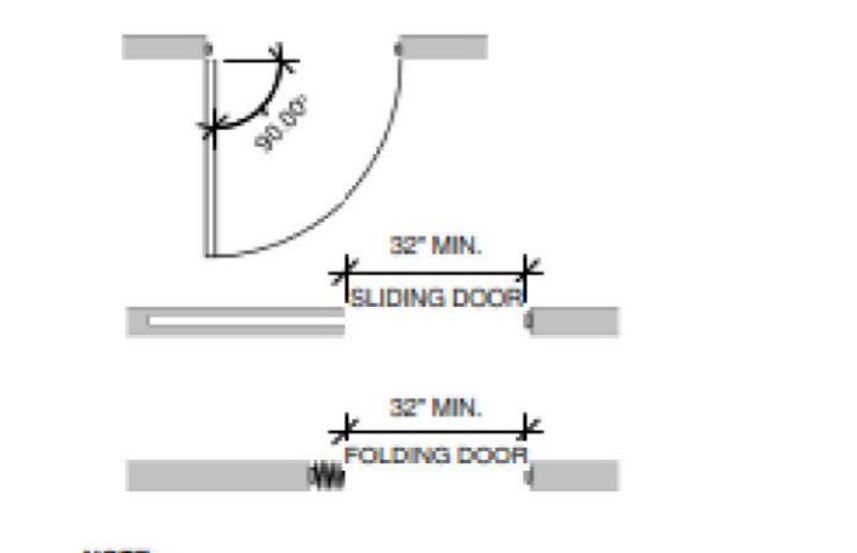
6 DOOR CLEARANCE AT ACCESSIBLE DOORS
SCALE: N.T.S.



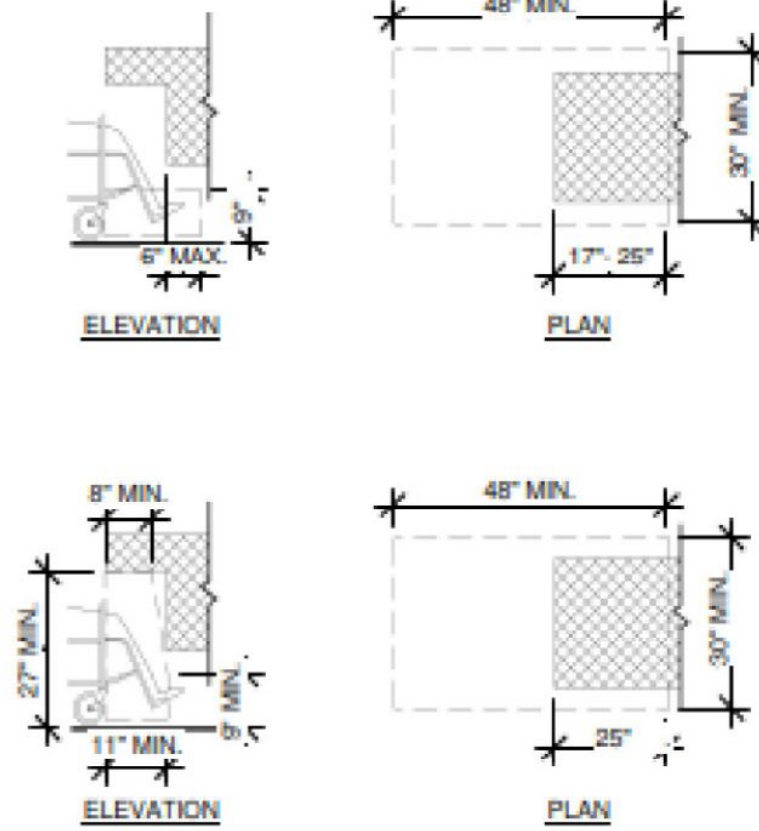
5 DOORS IN SERIES
SCALE: N.T.S.



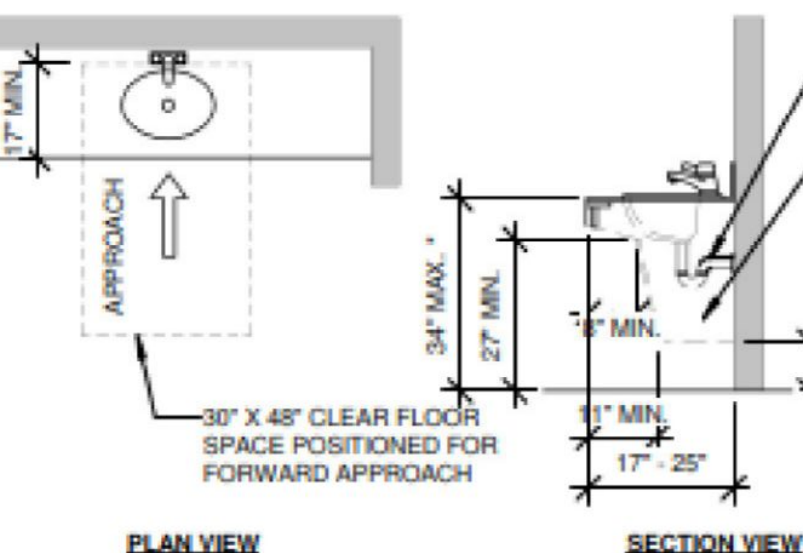
9 F.E. MOUNTING
SCALE: N.T.S.



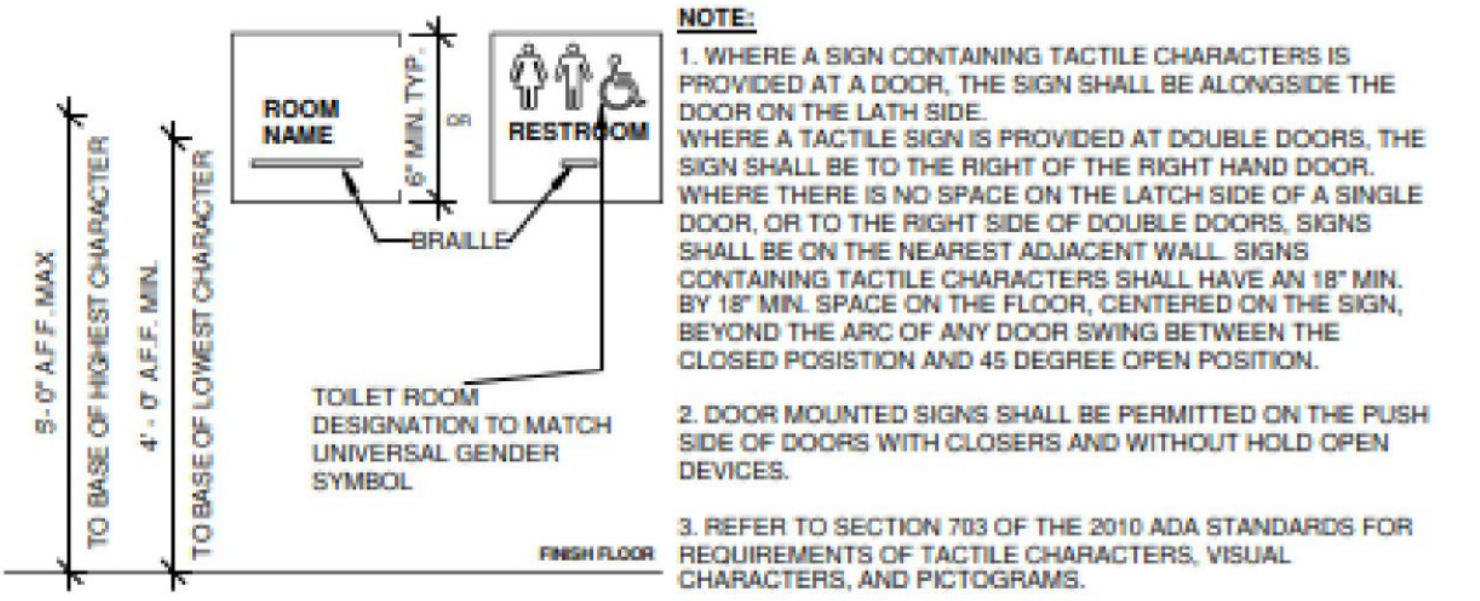
8 CLEAR OPENING AT ACCESSIBLE DOORS
SCALE: N.T.S.



7 ADA TOE/KNEE CLEARANCE
SCALE: N.T.S.



4 CLEAR SPACE AT RECESSED DOORS
SCALE: N.T.S.

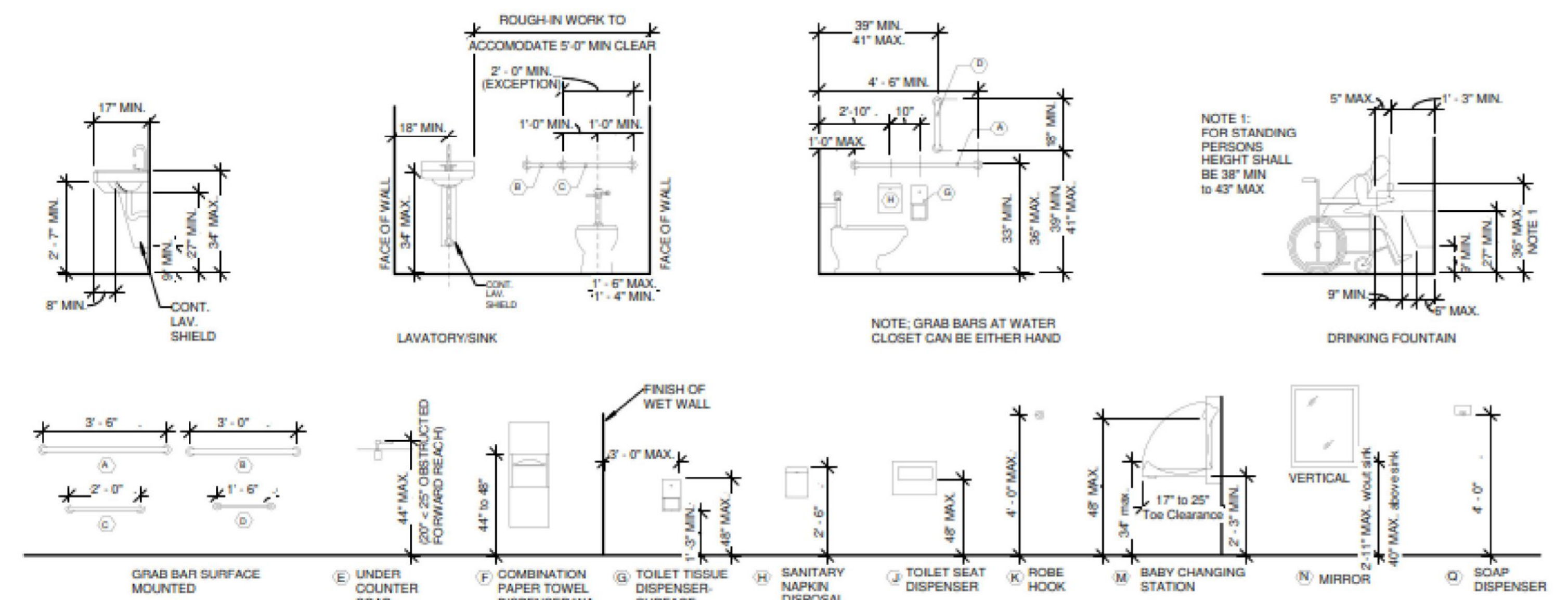


3 SIGNAGE
SCALE: N.T.S.

NOTES:
1. WHERE A SIGN CONTAINING TACTILE CHARACTERS IS PROVIDED AT A DOOR, THE SIGN SHALL BE ALONGSIDE THE DOOR ON THE LATCH SIDE.
2. DOOR MOUNTED SIGNS SHALL BE PERMITTED ON THE PUSH SIDE OF DOORS WITH CLOSERS AND WITHOUT HOLD OPEN DEVICES.
3. REFER TO SECTION 703 OF THE 2010 ADA STANDARDS FOR REQUIREMENTS OF TACTILE CHARACTERS, VISUAL CHARACTERS, AND PICTOGRAMS.

NOTE:
1. OPENINGS MORE THAN 24" DEEP SHALL PROVIDE A CLEAR OPENING OF 3" MIN.
2. THERE SHALL BE NO PROJECTIONS INTO THE REQUIRED CLEAR OPENING WIDTH LOWER THAN 34" ABOVE THE F.F. OR GROUND. PROJECTIONS INTO THE CLEAR OPENING WIDTH BETWEEN 34" AND 80" ABOVE THE F.F. OR GROUND SHALL NOT EXCEED 4".

NOTE:
1. MANEUVERING CLEARANCES FOR FORWARD APPROACH SHALL BE PROVIDED WHEN ANY OBSTRUCTION WITHIN 18" OF THE LATCH SIDE OF A DOORWAY PROJECTS MORE THAN 8" BEYOND THE FACE OF THE DOOR, MEASURED PERPENDICULAR TO THE FACE OF THE DOOR OR GATE.
2. THE FLOOR OR GROUND SURFACE WITHIN THE REQUIRED MANEUVERING CLEARANCES SHALL SLOPE NO MORE THAN 1:48 (2%) AND CHANGES IN LEVEL WITHIN THIS AREA ARE NOT PERMITTED.

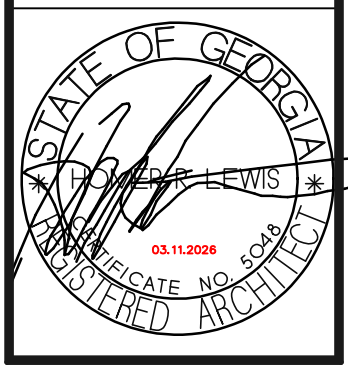


9 ACCESSIBLE PLUMBING FIXTURE AND ACCESSORIES MOUNTING HEIGHTS
SCALE: N.T.S.

9 ACCESSIBLE SINK AND COUNTERTOP DETAIL
SCALE: N.T.S.

| NO. | DATE | DESCRIPTION |
|-----|------|-------------|
| | | |

DATE OF THIS PLOT:
Wednesday, March 11, 2026



Homer Lewis & Associates, Inc.
230 River Cove Meadows
Social Circle, Ga. 30025
(678) 210-1007

RESTAURANT BUILDOUT AND ADDITION FOR EAST HAVEN, LLC
651 OLD PHOENIX ROAD
EATONTON, GEORGIA 31024

| |
|---------------------------|
| RELEASED FOR CONSTRUCTION |
| DRAWN: STL |
| CHECKED: HR |
| JOB NUMBER: 295 |
| SCALE: N/A |
| DATE: MARCH 11, 2026 |
| SHEET: A-11.0 |