



Proposal and Contract Furnished and Installed

#QUO3746

10/21/2025

ArmRLite Overhead Doors
40 Colonial Drive
Piscataway NJ 08854
P: (908) 754-2600

Purchaser
brian lanier
Homer Lewis and Assoc INC
230 River Cove Meadows
Social Circle GA 30025
P:

Jobsite
Homer Lewis and Assoc INC
651 Old Phoenix Road
Eatonton GA 31024
P:

Project	Sales Rep	Sales Rep Email	Payment Terms	Expires
Opportunity #651 Old Phoenix Rd NE, Eatonton, GA 31024	Shannon McGrady	smcgrady@armrlite.com	F&I Contract Terms	Budget proposal is valid for 30 days

Qty	Units	Item
1		<p>+++COMMERCIAL OPERATOR, (1 pair) STANDARD PHOTOEYES, (1) 3 BUTTON WALL STATION (open, close, stop) BY ARMRRLITE+++ === Door and operator furnished and installed on new/clean openings === All electric, electrical, wire, wiring, conduit, for operators, sensors, and accessories by your electrician. ARMRBREEZE: 8-0 X 3-8 2 Sections / 2 Panels FINISH: Dark Bronze Anodize *Clean with water or denatured alcohol only GLAZING: 7/16" Insulated Clear tempered glass (1/8" tempered over 1/8" tempered) - no logo TRACK: 2" Full Vertical Lift Track w/ Spring Bumpers WEATHERSEAL: Whole Perimeter Sealing</p> <p>Add Option \$2,807.78 - Water Resistance Package - includes foam filled rails, stiles. Water resistant package will greatly minimize water infiltration but may not eliminate it. Foam is painted to match frame finish at exposed end stiles. Custom metal end caps are available for an upgrade.</p>

first floor, ground level (no stairs), non-union labor – non prevailing wage, onsite parking for installer trucks and equipment. General Contractor is responsible for preparing openings per ArmRLite shop details prior to installation. Preparation of openings is not included in pricing. New Sectional Door Openings to be fully prepared by others per ArmRLite submittals – GC is responsible for preparing opening with the steel or wood blocking required for the tracks, springs, etc.

Tax Total (0%) \$0.00

Total \$9,443.37





ArmRLite
OVERHEAD DOORS

Proposal and Contract Furnished and Installed

#QUO3746

10/21/2025

TERMS AND CONDITIONS MATERIALS FURNISHED AND INSTALLED

NOTE: All orders are accepted according to the Terms and Conditions listed below.

Contract Terms: A full set of submittals in .dwg format will be provided upon receipt of a non-refundable 25% deposit. Deposit payments must be made by check. Fabrication payment of 40% due to start fabrication once all confirmations are returned signed and approved. Progress payment of 25% due prior to materials being shipped for installation. A separate current dated check for the remaining 10% balance to be mailed in at the same time as the 25% progress payment prior to shipping and will be held by ArmRLite until completion of installation. If project is not completed within 90 days of fully executed contract due to delay on purchasers part, client will be invoiced for the full amount of the project for immediate payment.

****For projects that are located at altitudes 3,000 ft or more above sea level insulated glass will require breather or capillary tubes to equalize air pressure in the units. Breather tubes are available at an extra charge and it is the responsibility of the customer to notify ArmRLite if their project is affected. At time of installation, the installer must properly "crimp" the tubes once the glass has equalized and then install the glass snap bead or aluminum stop.**

Additional Terms:

1. Delivery of orders depends on availability of material. All orders taken are subject to delay due to causes beyond our control.
2. Shop drawings are supplied upon receipt of 25% non-refundable deposit. ArmRLite reserves the right to charge for the drawings should a project be cancelled for any reason. If a project is cancelled the 25% deposit will be retained by ArmRLite to cover the labor and engineering costs to create the 8 page shop drawings.
3. The attached Furnish and Installed Budget Contract does not cover the costs for preparing the openings. Openings to be fully prepared by others per ArmRLite shop drawings.
4. Final field measure by ArmRLite's contracted installer will be conducted once openings are prepared, prior to fabrication. ArmRLite Furnish and Install Budget Contract attached covers (2) pre-fabrication site checks total. If any additional site checks need to be provided, they are at additional cost to customer.
5. Fabrication will not begin until the shop details are approved by both ArmRLite's contracted installer and customer once a final field check of completed opening(s) is conducted. If the customer chooses to waive the final site check and begin fabrication without the installer confirming the opening(s), customer will be responsible for guaranteeing all dimensions present in the shop drawings. All financial responsibility for discrepancies between the guaranteed dimensions and the site conditions at time of install is the sole responsibility of the customer. The order must then be paid in full.
6. All electrical wire, wiring conduit, and mounting of controls for operators, sensors, and accessories by others (Your electrician).
7. Pricing is subject to change based on final field measurements. If on site dimensions present at time of final site check are not consistent with the attached Furnish and Install Budget Contract, revisions will be made and Budget Contract will need to be re-approved by the customer.
8. Orders are to be shipped directly to ArmRLite's contracted installer's warehouse and the installer is to take responsibility of the shipment. If a jobsite delivery is required and approved by ArmRLite, the installer must be on-site to accept and approve the shipment. Jobsite deliveries will require access for a 53' tractor trailer and the site must be accessible to the installer at the time of delivery.
9. ArmRLite requires final payments 30 days after doors are completed in production, holding the 10% retainer until after installation.
10. **WARRANTIES:** 20 year commercial welded frame warranty, except on top section when trolley operated. 20 year finish warranty on anodize finishes, except on installations within 1 mile of water. 1 year finish warranty on any custom painted finish, except on installations within 1 mile of water. Spring Wire: Spring wire has no warranty - considered a "wearable item" similar to breaks on a car. Tempered glass is subject to rollerwave distortion, this is not considered a defect. Moisture can be present in multi-wall polycarbonatel leading to fogging and algae formation on the interior. This is not considered a defect with the multi-wall manufacturer. Damage done from power washing or damage done from not following ArmRLite cleaning recommendation is not covered under warranty. Labor to replace defective parts and the freight charges for shipping the goods to the customer are the responsibility of the customer. Consult the factory for complete details on these warranties.

I personally guarantee payment for all materials purchased from ArmRLite Door Manufacturing Company and further represent that I have not ceased to pay debts and that I can pay debts when they become due and that it is solvent within meaning of the U.S. bankruptcy code. Should the balance amount due at completion of the installation become more than one day past due (see payment terms on Budget Contract), I agree to pay the 1.5% service charge per month or the maximum allowed by law until the balance is paid (whichever is greater). In the event of suit to collect unpaid balances, all costs, including reasonable attorney's fees, whether for negotiation, trial or appellate work shall be paid by the undersigned debtor and I acknowledge and agree that suit may be instituted in Middlesex County, New Jersey. Buyer assumes full responsibility for payment of all material ordered, fabricated or shipped. If any part of this agreement proves to be invalid by Federal or State Laws all other parts of this agreement remain in force. Purchaser's signature attest financial responsibility, the ability and willingness to pay the invoices in accordance with attached Terms and Conditions.

Signature required below

ArmRLite Officer Signature

Customer Signature - Legal Officer of Company

Date

Date





Due to limitations and inconsistencies of digital displays, the rendering above is a representation of the raw materials. Actual products may differ slightly in appearance.

McNICHOLS® Textured Metal

Designer Textured, DIAMOND QUILT 2200, Stainless Steel, Type 304, 3" Diamond Quilt Pattern, No. 4 Satin Finish, 22 Gauge (.0312" Thick), 0% Open Area

McNICHOLS® Textured Metal, Designer Textured, DIAMOND QUILT 2200, Stainless Steel, Type 304, 3" Diamond Quilt Pattern, No. 4 Satin Finish, 22 Gauge (.0312" Thick), 0% Open Area

ITEM R813000041 - 48" x 120" - In-Stock!

[Please Request Quote](#)

[Request a Sample](#)

Product Size(s)

48" x 120" ▼

Qty

1

Subtotal

\$--.---

Cut Item To Size

Add To Project List

Please [LOG IN](#) to add to Project List

Add To Cart



SPECIFICATIONS



OVERVIEW



ORDERING



CHARTS



TABLES

Specifications

Item Number R813000041

Product Line Textured Metal

Designer Type Designer Textured

Series Name DIAMOND QUILT

Series Number 2200

Primary Material Stainless Steel (SS)

Alloy, Grade or Type Type 304 (304)

Material Finish No. 4 Satin Finish

Gauge/Thickness 22 Gauge (.0312" Thick)

Percent Open Area 0%

Weight 1.31 Lbs./Square Foot

Product Form Sheet

Sizes (Width x Length) 48" x 24";
48" x 120" (Cut Sizes Available)

Product Accessories



McNICHOLS® Accessories
U-Edging, Stainless Steel, Type 304,
14 Gauge (.0781" Thick), Type 402 U-
Edging (1/8" Opening x 1" Width)

Bar Mount Foot Rail Bracket

2" OD

Bar mount brackets provide a classic look and are a great option for those that can't, or don't want to drill holes into their floors.



Must have access to back of bar face to install 2 3/4" hanger bolt.



Classic look and ease of installation.



Allows you to install bar rail higher than standard 6" height.

Standard Finishes



Brushed Brass



Polished Brass



Brushed Stainless



Polished Stainless



Antique Brass



Pewter



Matte Black



Gunmetal Grey



Sunset Copper



Oil Rubbed Bronze

Custom Order Finishes



Antique Bronze



Antique Copper



Blackened Steel

Custom finishing is available upon request.

Dimensions

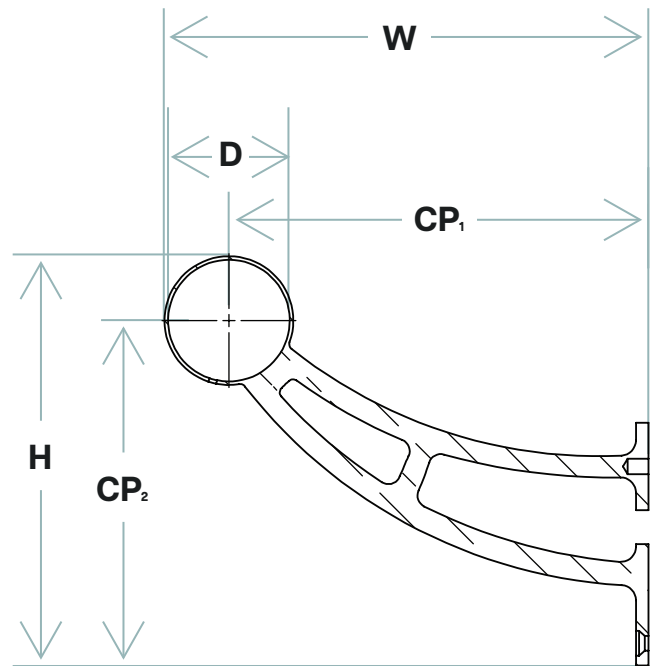
(H)	Height	6.75"
(W)	Width	8.00"
(D)	Diameter	2.01"
(CP ₁)	Center Point 1	6.94"
(CP ₂)	Center Point 2	5.65"

Included Hardware

(3)	#10 1-1/2" Mounting Screws
(1)	5/16"-18 x 3" Threaded Bolt
(1)	5/16"-18 Hex Nut
(1)	5/16" Flat Washer
(1)	#8 3/4" Self-Drilling Set Screw

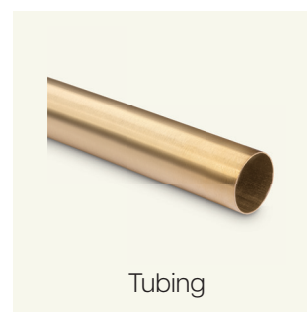
Installation

1. Measure & mark holes for mounting screws and for the threaded bolt.
2. Drill hole in bar diewall for the threaded rod.
3. Attach bracket from behind bar face using rod and secure with bolt and washer.
4. Attach brackets to the face of the bar with the 3 mounting screws.
5. Secure tubing to bracket by fastening set screws through hole in the bottom of bracket.



Complete The System

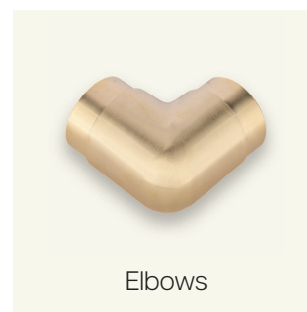
Make sure to get all the necessary components to complete your bar rail system.



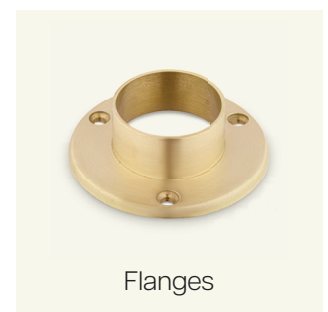
Tubing



End Caps



Elbows



Flanges

Visit [Kegworks.com/care-guide](https://www.kegworks.com/care-guide) to read our guide on how to properly prep, clean, and maintain all bar rail finishes.



MARK ARCHITECTURAL LIGHTING™



Slot 2 LED Direct Pendant

The Slot LED family of luminaires offers an unparalleled package of performance and features for your next lighting project. Precision lumen DIRECTIR optics deliver optimized light where needed for ceilings and walls. With other key features such as simplified installation, seamless controls integration and superior color constancy, the Slot LED family from Mark Lighting offers exceptional quality and design flexibility.

Type:

K

Project:

Catalog Number:

DO NOT TYPE HERE. Autopopulated field.

Specification Features

Housing

Nominal 2.5" x 3.75" extruded aluminum housing

Finish

White, Black or Silver powdercoat

Reflector

Formed steel with high reflectance white

Distribution/Shielding

Extruded 90% transmissive acrylic lens with a textured surface providing diffuse illumination and a uniform appearance for direct lambertian distribution (No Optics). Wall Wash (WW) and Wall Graze (WG) distribution options incorporate co-extruded lenses. Shielding is available as an external blade louver for WW or WG options, or an internal blade louver in lieu of lambertian distribution diffuser.

LED Components

Linear: Nichia®- 757 series LED chips (>80 CRI)

Electrical

Long-life LEDs, coupled with high-efficiency drivers, provide superior quantity and quality of illumination for extended service life. 80% LED lumen maintenance at 60,000 hours (L80/60,000).

Color Consistency

The Acuity Brands circuit boards for the linear LED components use a precise binning algorithm which creates a consistent color temperature from board to board. The color a variation of no greater than a 2.5 Step MacAdam (2.5SDCM) along the black body locus from board to board.

Driver

Factory tuned constant current electronic dimming driver is standard. Flicker free dimming available down to <1%. LED drivers perform within the recommended operating areas for flicker as a function of frequency and modulation (%) IEEE Standard 1789 2015 (IEEE Recommended Practices for Modulating Current in High-Brightness LEDs for Mitigating Health Risks to Viewers), in typical operating conditions at representative dimming levels. Electrical specifications at maximum driver load: PF > 0.9 and THD <20%. Meets FCC Title 47 Class A or Class B. Other available drivers include Lutron, DMX and DALI protocol drivers.

Certification

CSA tested to UL 1598 standards, assembled in the USA. Damp Location Listed.

Listings

DesignLights Consortium® (DLC) Premium qualified product. Not all versions of this product may be DLC Premium qualified. Please check the DLC Qualified Products List at www.designlights.org/OPL to confirm which versions are qualified.

Warranty

5-year limited warranty. This is the only warranty provided and no other statements in this specification sheet create any warranty of any kind. All other express and implied warranties are disclaimed. Complete warranty terms located at: www.acuitybrands.com/support/warranty/terms-and-conditions

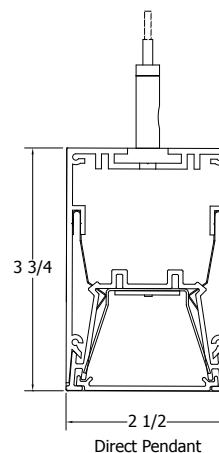
Note: Actual performance may differ as a result of end-user environment and application. All values are design or typical values, measured under laboratory conditions at 25 °C. Specifications subject to change without notice.

Fixture Performance

4FT INDIVIDUAL (35K)	DIRECT			
Lumens Output	400LMF	600LMF	800LMF	1000LMF
Delivered Lumens	1766	2710	3577	4225
Input Watts	14.4	22.5	30.6	37.1
Lumen/Watt	122	120	116	113

* Consult factory for customized lumen output and wattage between 350LMF and 1050LMF.

Technical Drawing



Buy American:

Product with the BAA option is assembled in the USA and meets the Buy America(n) government procurement requirements under FAR, DFARS and DOT. Please refer to www.acuitybrands.com/buy-american for additional information.

A+ Capable Luminaire

This item is an A+ capable luminaire, which has been designed and tested to provide consistent color appearance and out-of-the-box control compatibility with simple commissioning.

- All configurations of this luminaire meet the Acuity Brands' specification for chromatic consistency
- This luminaire is part of an A+ Certified solution for nLight® control networks when ordered with drivers marked by a **shaded background***
- This luminaire is part of an A+ Certified solution for nLight control networks, providing advanced control functionality at the luminaire level, when selection includes driver and control options marked by a **shaded background***

To learn more about A+, visit www.acuitybrands.com/aplus.

*See ordering tree for details

Ordering

Example: S2LD 32FT MSL8 80CRI 30K 400LMF MIN1 MVOLT WHT ZT F1/36A RDCY WHTCY WCRD

Series	Plan	Total Run Length	Max Section Length	Direct Light Source Color Rendering	Direct LED Color Temp	Direct LED Light Output	Direct Distribution (Optics)
S2LD Slot 2 Pendant - Direct	LCB Linear center balanced	_FT Specify continuous run length (in whole feet, 2' minimum) Unit length may affect available options. 2' & 3' only available as individual units For runs longer than 8FT: ALWAYS order the run by the TOTAL RUN LENGTH. Ordering the sections individually will not provide the correct joining hardware to allow connection in the field.	MSL4 4'	80CRI 80 CRI	27K 2700K	400LMF 400 Lumens per FT	(blank) Standard Lambertian Distribution
	LLP Linear longest possible		MSL5 5'	90CRI 90 CRI	30K 3000K	600LMF 600 Lumens per FT	WW Wallwash Distribution
			MSL6 6'		35K 3500K	800LMF 800 Lumens per FT	WG Wall Graze Distribution
			MSL7 7'		40K 4000K	1000LMF 1000 Lumens per FT	WW and WG not available with Downlights, EGLD, LVRR or LVRRRA.
			MSL8 8'		50K 5000K	_LMF ¹ ## Lumens per FT	

Downlight	Downlight Shape	Downlight Color Rendering	Downlight Color Temp	Minimum Dimming Level	Optional Shielding	Voltage
(blank) No Downlight modules in fixture	(blank) No Downlight modules in fixture	(blank) No Downlight modules in fixture	(blank) No Downlight modules in fixture	NODIM ² Non - dimming	(blank) No louver	MVOLT Multi-volt, 120-277V
2DL LED Downlights (2 per unit)	RDD Round	S80CRI 80CRI	S27K 2700K	MIN1 Constant current, dimming to 1%	LVRR ³ Dropped louver	120 120V
_DL LED Downlights per run (3DL, 4DL, etc)	SQD Square		S30K 3000K	DARK Constant current, dimming to 0.1%	LVRR ⁴ Regressed louver painted to match fixture finish	277 277V
			S35K 3500K		LVRRRA ⁴ Regressed louver, aluminum finish	347 ⁵ 347V
			S40K 4000K		EGLD ³ Edge View direct lens	

Must select all Downlight options. Specify number of downlights modules.
 Not available on 2' or 3' units.
 Not available with 347V.

Maximum of 2DL in 4' & 5' units.
 Not available with emergency options. Not available with any sensors on the same unit.

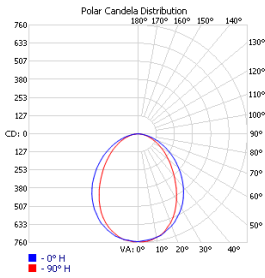
Not available with Downlights.
 Not available with NLTAIR2

Finish	Emergency Options	Control Input	Sensor	Secondary Sensor
WHT White (gloss)	E10WLCP ⁶ 4' emergency section w/ battery pack, 1250 lumens	(blank) Non-dimming, line voltage	(blank) Select if single zone/no zone without sensor	(blank) No additional zones/sensors
BLK Black (gloss)	_E10WLCP ⁶ 4' emergency section w/ battery pack, 1250 lumens	ZT 0-10V control	NS Select if multi-zone fixture with no sensor in main zone	SNS Select if multi-zone fixture with no sensor in secondary zone
SLV Silver (gloss)	_EC ⁷ # of emergency circuits	NLIGHT ⁹ nLight enabled	PDT ¹⁴ Occupancy sensor - dual technology (passive infrared & microphonics)	SPDT ¹⁴ Occupancy sensor - dual technology (passive infrared & microphonics)
WHHT White (textured)	BGTD ^{7,8} Generator transfer device	NLTAIR2 ¹⁶ nLight Air Wireless Enabled	ADC ¹⁴ Photocell-daylight dimming sensor	SADC ¹⁴ Photocell-daylight dimming sensor
BLKT Black (textured)	Not available with 347V.	DALI ¹⁰ DALI compatible	API ¹⁷ PIR occupancy sensor & photocell	SAPI ¹⁷ PIR occupancy sensor & photocell
SLVT Silver (textured)		DMX ^{10,11} DMX compatible	APD ¹⁷ PDT occupancy sensor & photocell	SAPD ¹⁷ PDT occupancy sensor & photocell
RALTBD RAL paint finishes		ECOD ^{11,12} Lutron Hi-Lume digital driver	Not available with Downlights.	Not available with Downlights.
		ECOD2 ^{11,12,13} Lutron Hi-Lume 2-wire (1% dimming)	Not available with 347V & nLight. (Use ZT Control Inputs where applicable.)	Not available with 347V & nLight. (Use ZT Control Inputs where applicable.)
		ECOD5 ^{11,12} Lutron 5-series digital driver (5% dimming)	Not available on 2' or 3' units.	Not available on 2' or 3' units.

Tertiary Sensor	Mounting Type	Overall Suspension	Canopy Form	Canopy Color	Cord Color	Options
(blank) No additional zones/sensors	F1/ T-bar ceiling (universal mounting bracket)	36A 36" adjustable	RDCY Round canopy	BLKCY Black canopy	WCRD White cord	BAA Buy America(n) Compliant
TNS Select if multi-zone fixture with no sensor in tertiary zone	F1A/ T-bar ceiling (UMB with integrated J-box)	72A 72" adjustable	SQCY Square canopy	WHTCY White canopy	CCRD Clear cord	DPL Damp location listing
	F2/ Hard ceiling (horizontal J-box)	144A 144" adjustable		SLVCY Silver canopy	BCRD ¹⁵ Black cord	GLR ¹³ Fast-blow fuse
		* Measured from ceiling to bottom of luminaire.				GMF ¹³ Slow-blow fuse
						MCS 5" support canopy to match feed canopy
						PIF Power Feed Installed

- Notes:**
- Limited to 350LMF to 1050LMF in 50LMF increments. Not available with ECOD, ECOD2, ECOD5 or DMX control input.
 - Not available with Control Input.
 - Not available with Sensor Options.
 - Not available with sensors on 2', 3' & 5' units.
 - DCT & 347V not available with 2' & 3' units, 347V also not available with ZT & sensors, emergency options, NLIGHT in 5' units, & NLIGHT with downlights. Only available with WCRD.
 - Not available with 2' or 3' units. Not available with DMX control option. One battery pack per unit. Only available on 8' unit with ECOD, ECOD2, ECOD5. If with ZT & API or APD, only available in 7' & 8' units.
 - Powers entire direct unit. Not available with DMX.
 - Must select 120 or 277 volt. Remote mounted. Not available with sensor and BGTD in same unit. Not available with DMX.
 - Comes with white CAT5 cord in addition to the standard power cord. Will require remote mounted nIO on 2' unit. One nLight device per zone or sensor, for multiple zones consult factory.
 - Must select DARK Dim Level.
 - Not available with 347V.
 - Must select MIN1 Dim Level. Not available on 2', 3' or 5' units.
 - 120V only.
 - Requires ZT or NLIGHT Control Input.
 - Longer lead time item.
 - Must select MIN1 or DARK Dim Level. Not available with 347, WW, 2' or 3' units. If ordered with E10WLCP, only available in 7' & 8' units. One NLTAIR2 device per zone or sensor, for multiple zones consult factory. For antenna location, see page 10.
 - Requires ZT, NLIGHT or NLTAIR2 Control Input.

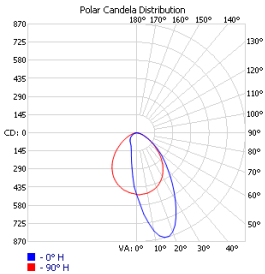
PHOTOMETRICS



Test Report: ISF 37224P0
IES LM 79-08
S2LD 4FT 80CRI 30K 400LMF
Lumens: 1697
Wattage: 14.44
Efficacy: 117.5

Zonal Lumen Summary		
Zone	Lumens	% Luminaire
0-30	559.6	33%
0-40	879	51.80%
0-60	1415.1	83.40%
60-90	281.4	16.60%
70-100	115.5	6.80%
90-120	0.3	0%
0-90	1696.6	100%
90-180	0.4	0%
0-180	1697	100%

Angle	Candlepower Distribution								
	Plane								
	0	22.5	45	67.5	90	112.5	135	157.5	180
0	753	753	753	753	753	753	753	753	753
5	745	748	749	749	753	749	751	751	747
10	734	739	737	735	735	736	740	742	738
15	712	714	710	705	708	706	711	721	718
20	684	685	676	662	662	663	677	689	689
25	643	642	627	606	603	610	630	649	653
30	601	596	574	544	535	545	575	602	609
35	548	539	510	475	462	474	512	548	557
40	490	479	443	408	393	406	447	488	500
45	428	416	379	339	328	344	384	427	438
50	366	354	314	282	271	284	322	363	378
55	308	295	257	231	223	233	263	303	314
60	248	236	205	183	177	187	212	244	256
65	193	184	161	142	137	143	163	190	201
70	143	133	117	105	102	107	122	141	151
75	96	89	78	72	69	73	84	95	101
80	53	51	46	41	41	44	49	55	59
85	20	19	19	19	19	20	22	24	24
90	0	0	1	1	1	2	2	2	2



Test Report: ISF 37225P0
IES LM 79-08
S2LD 4FT 80CRI 30K 400LMF WW
Lumens: 1047
Wattage: 14.5
Efficacy: 72.2

Zonal Lumen Summary		
Zone	Lumens	% Luminaire
0-30	390.8	37.30%
0-40	605.7	57.90%
0-60	921.1	88%
60-90	119.6	11.40%
70-100	44.5	4.20%
90-120	3.1	0.30%
0-90	1040.7	99.40%
90-180	6.3	0.60%
0-180	1047	100%

Angle	Candlepower Distribution								
	Plane								
	0	22.5	45	67.5	90	112.5	135	157.5	180
0	493	493	493	493	493	493	493	493	493
5	652	637	603	558	493	443	391	362	353
10	796	773	715	619	490	378	296	250	236
15	866	853	791	666	479	321	222	178	164
20	843	843	818	693	464	270	172	136	128
25	745	766	792	697	439	225	138	114	108
30	620	645	718	672	408	191	116	100	97
35	499	525	616	614	367	161	101	90	89
40	392	420	506	538	322	136	90	83	81
45	311	331	400	448	270	114	79	73	73
50	241	255	314	353	217	96	69	65	64
55	177	191	238	265	166	79	58	54	54
60	126	136	171	191	123	61	47	43	43
65	85	91	117	131	86	47	36	34	33
70	57	60	76	84	56	34	26	24	24
75	36	38	45	50	35	22	17	16	16
80	20	20	23	25	19	11	9	9	9
85	8	8	8	8	7	5	4	4	5
90	1	1	0	0	0	0	0	1	1

EXPECTED LIFE: L85 @ 60,000
CALCULATED LIFE: L70 @ 120,000

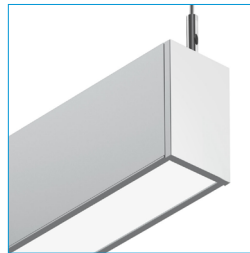
Shielding



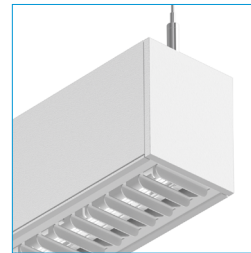
Co-Extruded WG



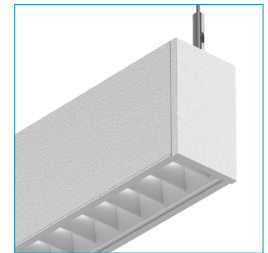
Co-Extruded WW



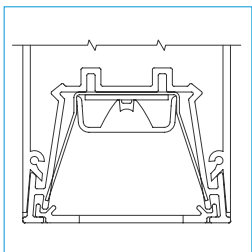
Edge View Lens



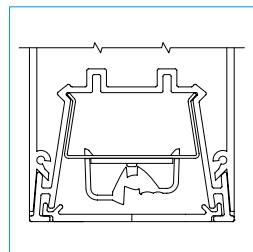
External Louver



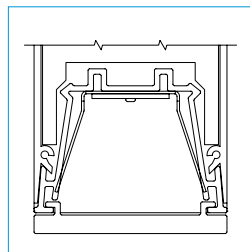
Regressed Louver



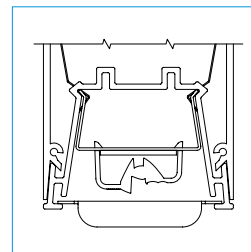
Co-Extruded WG (Standard)



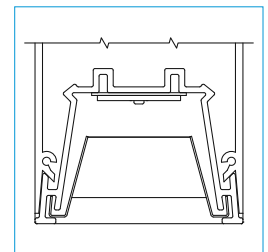
Co-Extruded WW (Standard)



Edge View Lens (Optional)



External Louver WW (Painted to Match Housing)



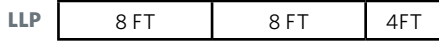
Regressed Louver (Natural Aluminum or Painted to Match Housing)

LINEAR PLAN:

Mark Lighting offers the ability to provide a continuous run plan to suit your requirements by optionally offering three different methods of configuration.

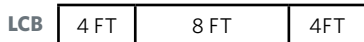
LLP- Linear Longest Possible

In this configuration, the longest length available is optimized, resulting in the fewest segments and mounting locations. Caution, should be used where balanced appearance is a concern. Example: 20 FT run would have 2, 8 FT segment and 1, 4 FT segment at the end of the run.

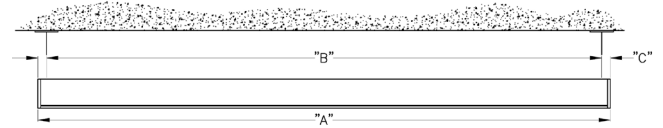


LCB- Linear Center Balanced:

This configuration incorporates the longest center segment(s) along with any additional lengths required to fill the run length, added to the run ends. Example: 16 FT run would have 2, 4 FT segments (one at each end) and 1, 8 FT segment in the center.

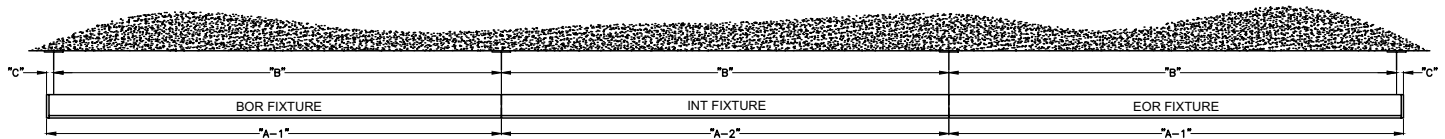


Individual Fixture Configurations



INDIVIDUAL UNITS (MOUNTING)			
LENGTH	"A" O.A.L.	"B" O.C.	"C" FROM END
2FT	2'- 5/8"	2'-0"	5/16"
3FT	3'- 5/8"	3'-0"	5/16"
4FT	4'- 5/8"	4'-0"	5/16"
5FT	5'- 5/8"	5'-0"	5/16"
6FT	6'- 5/8"	6'-0"	5/16"
7FT	7'- 5/8"	7'-0"	5/16"
8FT	8'- 5/8"	8'-0"	5/16"

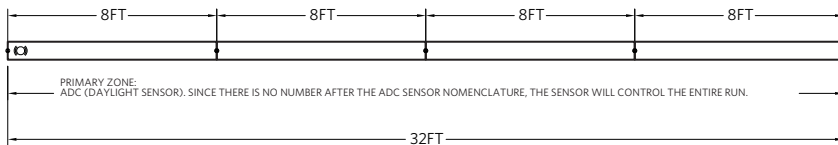
Run Configurations



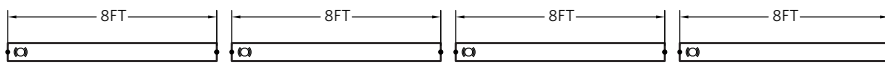
RUN LAYOUT (MOUNTING)				
LENGTH	"A-1" O.A.L.	"A-2" O.A.L.	"B" O.C.	"C" FROM END
4FT	4'-0 5/16"	4'-0"	4'-0"	5/16"
5FT	5'-0 5/16"	5'-0"	5'-0"	5/16"
6FT	6'-0 5/16"	6'-0"	6'-0"	5/16"
7FT	7'-0 5/16"	7'-0"	7'-0"	5/16"
8FT	8'-0 5/16"	8'-0"	8'-0"	5/16"

TOTAL RUN LENGTH

This system is not modular. Runs longer than 8FT will be automatically configured with Starter, Middle and Ender sections, based on how you specify the TOTAL RUN LENGTH and MAXIMUM SECTION LENGTH parameters in the ordering information. Always order the total run length, not the individual sections



Example: This run must be ordered as 1pc "S2LD LLP 32FT MSL8..."



Example: If you order as 4pcs "S2LD LLP 8FT MSL8..." you will receive these INDIVIDUAL sections that cannot be joined together

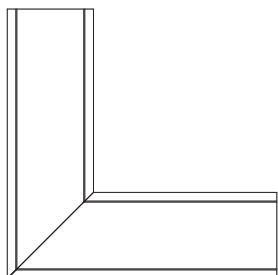
MAXIMUM SECTION LENGTH

The run will be broken out using as many sections at the chosen MSL length as possible. Shorter sections will then complete the desired run length.

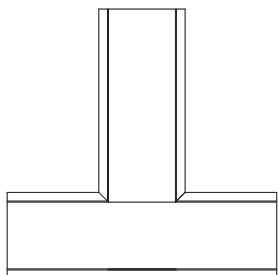
- Examples:
 S2LD LLP 21FT MSL5... = 5FT / 4FT / 4FT / 4FT / 4FT
 S2LD LLP 21FT MSL6... = 6FT / 6FT / 5FT / 4FT
 S2LD LLP 21FT MSL7... = 7FT / 7FT / 7FT
 S2LD LLP 21FT MSL8... = 8FT / 8FT / 5FT

Run Patterns, Corners and Junction

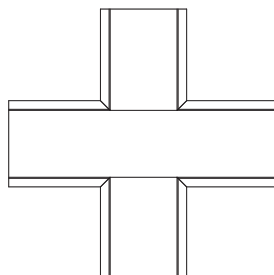
Slot 2 LED patterns can be configured in 1' increments with illuminated 90° inside and outside corners, T junctions, and X junctions with standard 2' corner and junction lengths. For custom angles, corner or junction lengths, consult factory. See separate patterns spec sheets for more details.



90° Corner



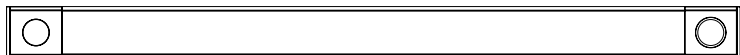
T Junction



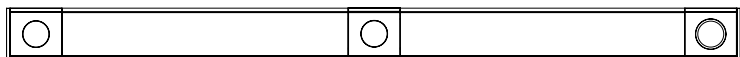
X Junction

Downlights

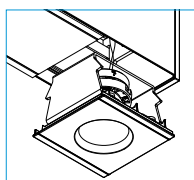
Optional downlights powered by Xicato Spot Modules are available with 4', 5', 6', and 8' length luminaires, maximum (2) Xicato downlights per length. Each downlight module is 10W with 700 lumens delivered, 28 degree beam spread. Downlights are supplied with a dedicated feed-point and will be controlled separately.



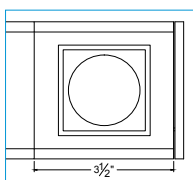
Standard Downlight Location



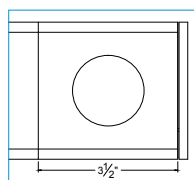
Other Downlight Configuration (consult factory)



Downlight Module

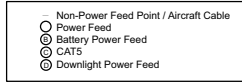


Square Downlight Plate (SQ)



Round Downlight Plate (RD)

Feed Point Locations



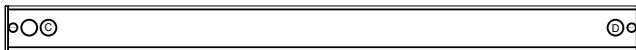
Direct, Dimming* or Non-Dimming



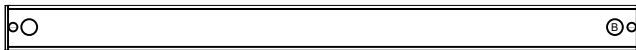
Direct, nLight Controls (wired)



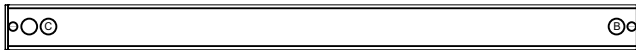
Direct, w/ Downlights**, Dimming* or Non-Dimming



Direct, w/ Downlights**, nLight Controls (wired)***



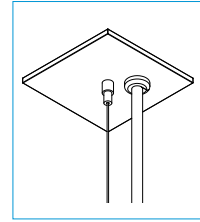
Direct, Battery (E10WLCP), Dimming* or Non-Dimming



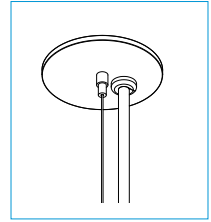
Direct, Battery (E10WLCP), nLight Controls (wired)

* 2-Wire Dimming (ZT, DALI, and Lutron EcoSystem)
** Downlights are supplied with a dedicated feed-point and will be controlled separately.
*** Downlights with nLight wired controls will use a J-Box mounted control module outside of fixture.

Single Feed Points

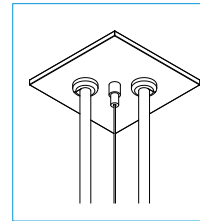


5" Square

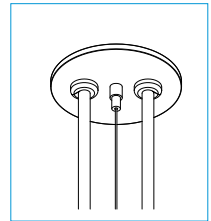


5" Round

Feed and Cat 5 points

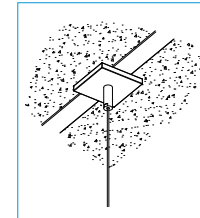


5" Square

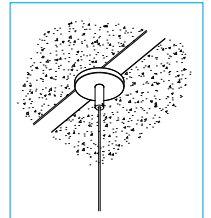


5" Round

Non-Feed Points for T-Bar Mounting



2" Square

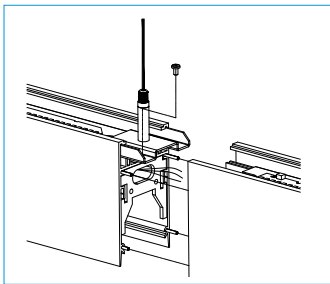


2" Round

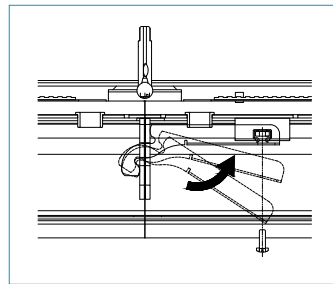
Refer to page 7 for mounting details.

Joiners

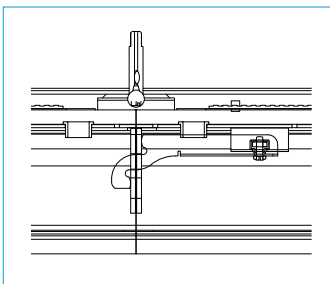
AEL Precision Row-Mount 3-step fixture-to-fixture connection method



Step 1: Align



Step 2: Engage



Step 3: Lock

Continuous Runs

Slot 2 LED continuous rows can be configured in 1' increments and featuring the AEL precision joiner to create a hairline seam between luminaires, providing a monolithic visual aesthetic. For custom run lengths less than a 1' increment, consult factory.

MOST COMMON MOUNTING TYPES AND OPTIONS Options available for this specific luminaire are checked in the boxes below.

Mounting Type

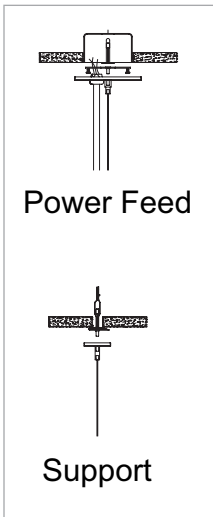
- F1/** For use with most T-Bar and screw slot grid ceilings. Designed for on-grid and off-grid applications.
- F2/** For use with recessed or surface mount horizontal J-box applications.
- F1A/** For use with most T-Bar grid ceilings. Designed for on-grid applications. *Comes complete with J-box with built-in cutout to go over grid.*

Mounting Options

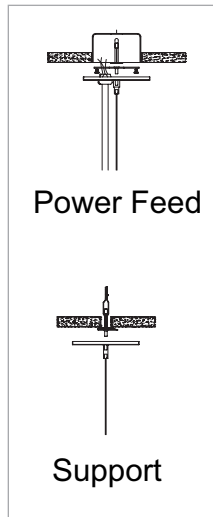
- MCS** Matching canopy at support for aesthetics.

Indicates mounting options available with this luminaire.

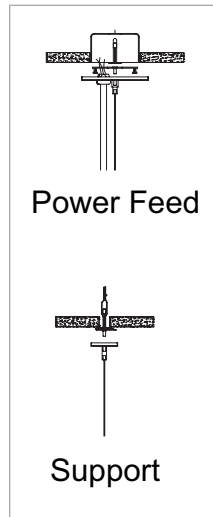
F1/



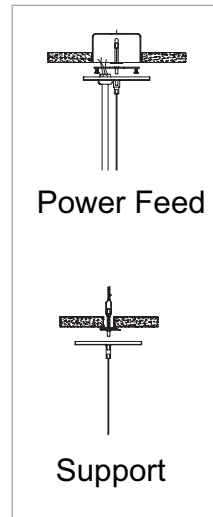
F1/ ordered with MCS



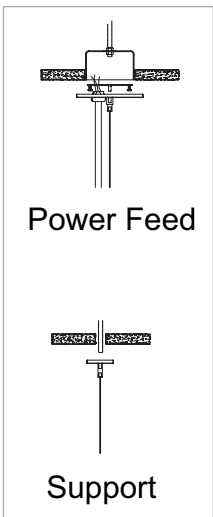
F1A/



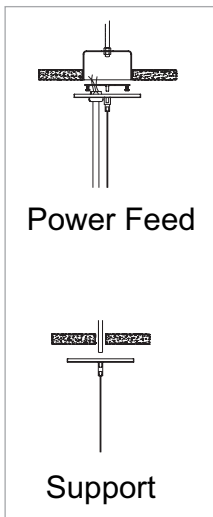
F1A/ ordered with MCS



F2/



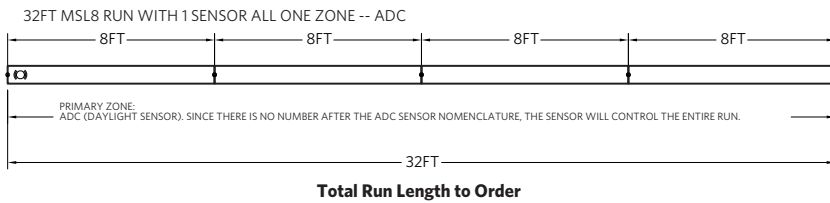
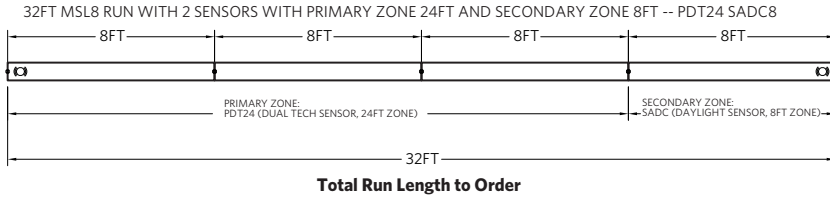
F2/ ordered with MCS



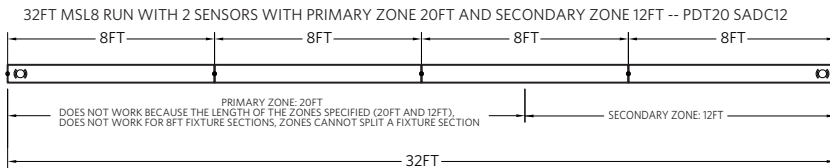
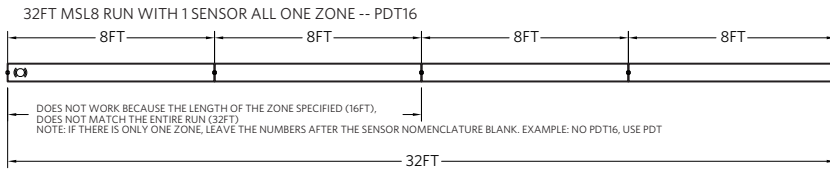
INTEGRATED SENSOR LAYOUT

For runs longer than 8FT:
ALWAYS order the run by the **TOTAL RUN LENGTH**. Ordering the sections individually will not provide the correct joining hardware to allow connection in the field.

CORRECT:



INCORRECT:



Notes:

- Only one sensor per zone
- At the most, the entire run can only have 2 sensors (thus 2 sensors zones at the most)
- Sensor zone can not split fixture sections
- No overlapping zones

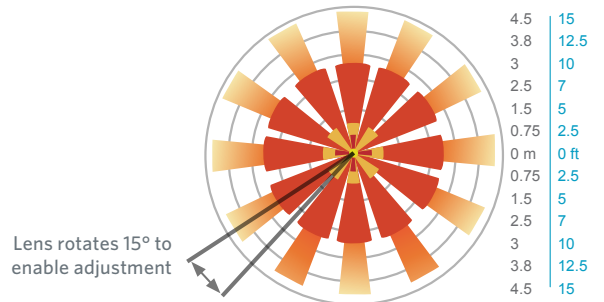
OCCUPANCY DETECTION COVERAGE

At the 7.5 ft (2.9 m) hanging height of a typical pendant mount fixture the sensor provides 10 ft (3.05 m) radial detection of small motion. At a 9 ft (2.74 m) hanging height the radius is 12 ft (3.66 m) for small motion.

Adequate for walking motion detection from mounting heights between 7.5 ft (2.29 m) and 20 ft (6.10 m).

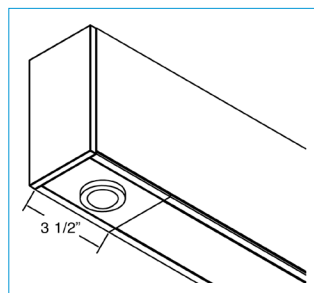
Initial detection will occur earlier when walking across sensor's field of view than when walking directly at sensor.

Initial detection of walking motion into long coverage segment will occur at distances of 2x the mounting height up to 15 ft (4.57 m) and 1.75x up to 20 ft (6.10 m). Lens assembly rotates 15° to enable adjustment in order to line up long segments.



Integrated Controls

Optional nLight® integrated controls make Slot LED luminaires addressable- allowing them to digitally communicate with other nLight enabled controls such as dimmers, switches, occupancy sensors and photocontrols. Simply connect all the nLight enabled control devices using standard CAT5 Cabling.



Occupancy Sensor and/or Photocell

Intelligent Luminaire Technology Guide

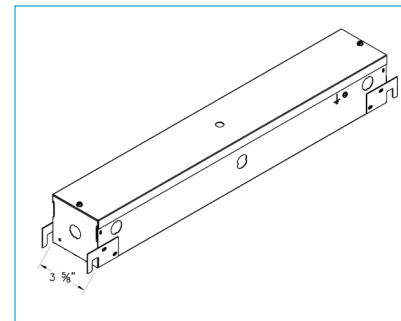
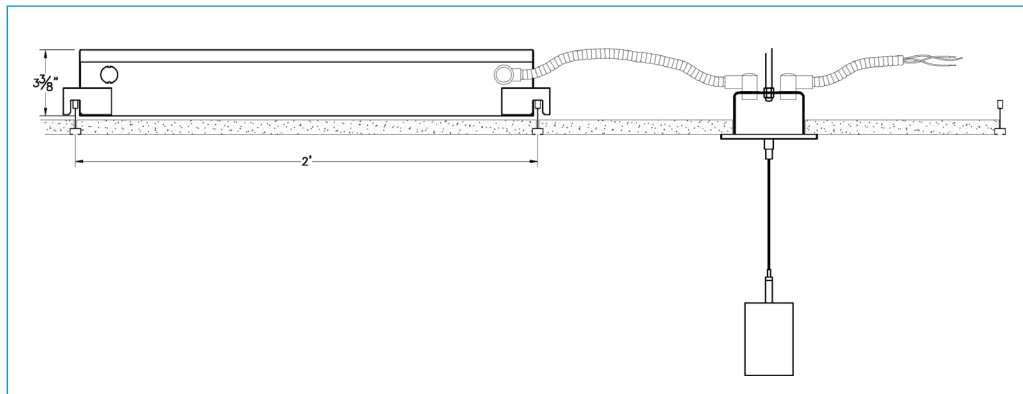
		Choose nomenclature from these columns								
Driver Configurations	Minimum Dimming Level	Control Input	=	Driver	Dimming Range	Notes				
	NODIM	+	(blank)	=	0 10V Generic Driver	-	Includes no 0 10V leads from the driver.			
	MIN10	+	ZT	=	0 10V Generic Driver	100 to 10%	Linear dimming			
	MIN1	+	ZT	=	0 10V eldoLED ECOdrive	100 to 1%	Formerly (EZ1) nomenclature. Linear dimming			
	MIN1	+	NLIGHT	=	0 10V eldoLED ECOdrive	100 to 1%	Logarithmic dimming			
	MIN1	+	ECOD2	=	Lutron forward phase control	100 to 1%	LUTRON Hi-lume 1% 2-wire (model LTEA4U1U)			
	MIN1	+	ECOD5	=	Lutron Ecosystem	100 to 5%	LUTRON 5 Seires EcoSystem LED Driver (model LDE5)			
	MIN1	+	ECOD	=	Lutron Ecosystem	100 to 1%	LUTRON Hi-lume 1% EcoSystem LED Driver with Soft-on, Fade-to-Black (model LDE1)			
	DARK		ZT		0 10V eldoLED SOLOdrive	100 to 0.1%	Formerly (EZB) nomenclature. Linear dimming			
	DARK		NLIGHT		0 10V eldoLED SOLOdrive	100 to 0.1%	Logarithmic dimming			
	DARK		DALI		DALI compatible eldoLED SOLOdrive	100 to 0.1%	"Compatible with DALI. Formerly (EDB & EDAB) nomenclature." Logarithmic dimming			
	DARK		DMX		DMX compatible eldoLED POWERdrive	100 to 0.1%	"Compatible with DMX / Remote Device Management. Formerly (EXB & EDXB) nomenclature." Linear dimming			

		Choose nomenclature from these columns							
Control / Sensor Configurations	Control Input	Sensor	=	Sensor	Notes				
	ZT	+	API	=	MSD 7 ADCX	Individual fixture control only. PIR integral occupancy sensor with automatic dimming control photocell. (Old nomenclature: ZT + PIR + ADC)			
	ZT	+	APD	=	MSD PDT 7 ADCX	Individual fixture control only. PDT integral occupancy sensor with automatic dimming control photocell. (Old nomenclature: ZT + PDT + ADC)			
	NLIGHT	+	(blank)	=	nIO EZ PH	nLight enabled only. No onboard sensor.			
	NLIGHT		EMG	=	nIO EZ PH ER	Emergency nLight enabled only. No onboard sensor.			
	NLIGHT	+	API	=	nIO EZ PH + nES 7 ADCX	nLight nES 7 ADCX PIR integral occupancy sensor with automatic dimming photocell. (Old nomenclature: NLIGHT + PIR + ADC)			
	NLIGHT	+	PDT	=	nIO EZ PH + nES PDT 7	nLight nES PDT 7 dual technology integral occupancy sensor. (Old nomenclature: NLIGHT + PDT)			
	NLIGHT	+	APD	=	nIO EZ PH + nES PDT 7 ADCX	nLight nES PDT 7 dual technology integral occupancy sensor with automatic dimming photocell. (Old nomenclature: NLIGHT + PDT + ADC)			
	NLTAIR2		(blank)		RIO EZDL 90D G2	https://www.acuitybrands.com/products/detail/778845/nLight/rIO/Fixture-embedded-nLight-AIR-network-interface			
	NLTAIR2		API		RES7 G2	https://www.acuitybrands.com/products/detail/593899/nLight/RES7_Sensor/nLight-AIR_Fixture-Integrated-Wireless-Sensor			
	NLTAIR2		APD		RES7 PDT G2	https://www.acuitybrands.com/products/detail/593899/nLight/RES7_Sensor/nLight-AIR_Fixture-Integrated-Wireless-Sensor			

Remote BGTD Mounting Option

Recessed in sheetrock ceiling; rod mounted to structure. Consult factory for other ceiling types or canopy options.

6 foot flexible conduit included, BGTD option should be mounted within 6 feet of junction box above fixture.



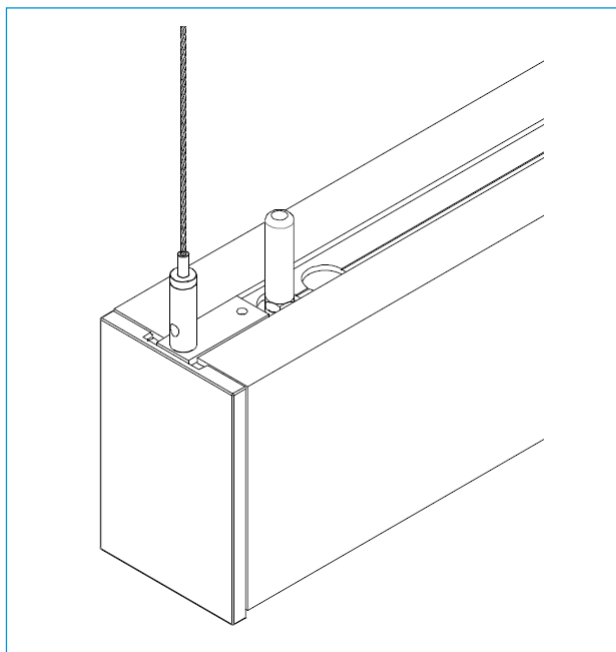
Accessible Ceiling

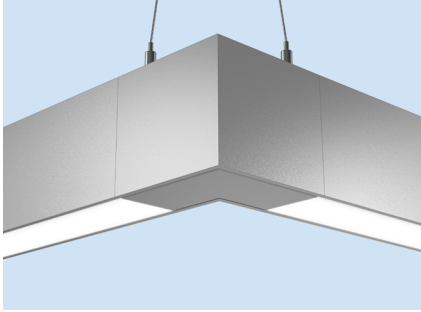
Emergency Battery Packs

The PS1055LCP battery is integral to the fixture and comes standard with a remote test switch and self-diagnostics.

nLight Air Wireless Antenna Location

Note: Antenna will be shipped separately and will need to be attached to the coax connector.





SLOT 2 NODE™

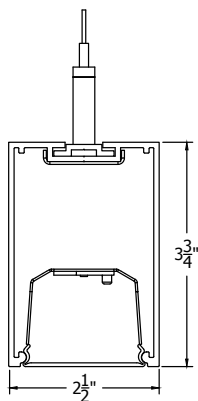
PENDANT DIRECT PATTERN

HIGHLIGHTS

- Angular NODES allow you to create geometric shapes and patterns simply
- 45°, 60°, 90°, 120°, 135° fixed angles available in Corners. 120° Y, 90° T & X
- 300 to 1500 lumens per foot Direct
- Up to 117 Lumens per Watt
- Integrated control with optional nLight or nLight Air for system networking
- Driver options for Dim to Dark, 1% or 10% minimum dimming
- White, black or silver paint with satin finish
- Declare listed

DIMENSIONS

See page 5 for additional details.



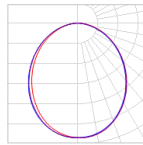
FIXTURE PERFORMANCE

Nominal Lumens/Foot	Direct							
	300LMF	400LMF	600LMF	800LMF	1000LMF	1200LMF	1400LMF	1500LMF
Delivered Lumens/Foot	271	367	547	702	908	1060	1248	1368
Input Watts/Foot	2.38	3.14	4.68	6.27	7.98	9.85	11.93	13.07
Lumens/Watt	114	117	117	112	114	108	105	105

Based on a 4ft 35K fixture with standard lambertian distribution

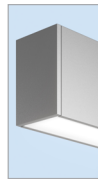


DIRECT DISTRIBUTION



Lambertian (No Optic)

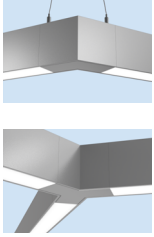
DIFFUSERS/SHIELDING



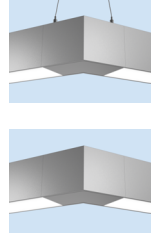
Flush Lens (FLL)

MARK
ARCHITECTURAL
LIGHTING™

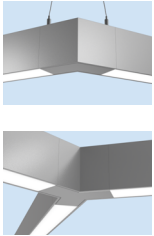
Slot 2 NODE™
Pendant Direct Pattern



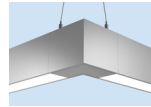
Hexagon - S2PDMP CPP 12FT 6120NC
6ea 2' sections with 6ea 120° corners
Y Configuration - S2PDMP OPP 12FT 120NY
3ea 4' sections with 1ea 120° Y connector



Large Hexagon - S4PDMP CPP 24FT 6120NC
6ea 4' Sections with 6ea 120° corners
Small Hexagon - S4SDMP CPP 12FT 6120NC
6ea 2' Sections with 6ea 120° Corners



Double Hexagon - S2PDMP CPP 39FT 6120NC 4120NY
6ea 4' Sections with 6ea 120° corners & 4ea 120° Y connectors



Small Rectangle - S2PDMP RPP 12FT 490NC
2ea 2' sections, 2ea 4' sections, 4ea 90° corners
Medium Rectangle - S2PDMP RPP 24FT 490NC
2ea 4' sections, 2ea 8' sections, 4ea 90° corners
Large Rectangle - S2PDMP RPP 36FT 490NC
2ea 6' sections, 2ea 12' sections, 4ea 90° corners

ORDERING

Example: S2PDMP RPP 32FT 490C 90CRI 35K 800LMF DARK FLL SCT MVOLT WHTT ZT F1/36A RDCY WHTCY WCRD

--	--	--	--	--	--	--

Series	Pattern Plan	Total Run Length	Connectors	Direct Light Source Color Rendering	Direct LED Color Temp	Direct Lumen Output
S2PDMP Slot 2 Pendant Direct Master Pattern	CPP Closed Pattern Plan OPP Open Pattern Plan RPP Rectangular Pattern Plan SPP Square Pattern Plan	_FT Specify pattern in total linear feet and inches. (16FT, 24FT6IN) Unit length may affect available options.	_45NC 45 Degree Node Corner _60NC 60 Degree Node Corner _90NC 90 Degree Node Corner _120NC 120 Degree Node Corner _135NC 135 Degree Node Corner _90NT 90 Degree Node T Connector _120NY 120 Degree Node Y Connector _90NX 90 Degree Node X Connector Select all connectors needed. If more than one is required, add quantity in front of the connector, i.e. 360NC or 6120NC. (If more than quantity 6 of a single connector is required, submit pricing request to your Acuity quotation representative.)	80CRI 80CRI 90CRI 90CRI	27K 2700K 30K 3000K 35K 3500K 40K 4000K 50K 5000K	300LMF 300 Lumens per FT 400LMF 400 Lumens per FT 600LMF 600 Lumens per FT 800LMF 800 Lumens per FT 1000LMF 1000 Lumens per FT 1200LMF 1200 Lumens per FT 1400LMF 1400 Lumens per FT 1500LMF 1500 Lumens per FT _LMF Specify Lumens between 300LMF - 1500LMF in 50LMF increments. Lumen output may affect available options.

--	--	--	--	--	--	--

Switching	Minimum Dimming Level	Direct Shielding	Voltage	Finish	Emergency Options	Control Input
SCT Single Circuit/ Single switching	NODIM¹ Non Dimming MINI Constant Current, Dimming To 1% MINIO Constant Current, Dimming To 10% DARK Constant Current, Dimming To 0.1% 1. NODIM is not available with Control Input or sensors.	FLL Flush Lens	MVOLT Multi-Volt, 120-277 120 120V 277 277V 347¹ 347V 1. 347 is only available with ZT. 347 is not available with DARK, E10WLCP, GTD or sensors.	WHTT White, Satin BLKT Black, Satin SLVT Silver, Satin RALTB²D RAL Paint Finishes. RALTB ² D is for pricing only. Replace with applicable RAL number & finish when placing order. Click here for more information on our paint finishes.	(blank) No Emergency Options _E10WLCP¹ Emergency Battery Pack WEC² Emergency Circuit for Entire Run _EC # of Emergency Circuits GTD³ Generator Transfer Device (Remote)	(blank) Non-Dimming ZT 0-10V NLIGHT nLight Wired NLTAIR2¹ nLight Air 2 Wireless Enabled DALI² DALI 1. NLTAIR2 is not available with a 2' section. 2. DALI is only available with DARK. Sensors are not available.

1. E10WLCP is not available with 2' sections or TGLD.
 2. WEC is not available with NLIGHT, NLTAIR2, sensors or individual units.
 3. Must select 120 or 277 voltage.

--	--	--	--	--	--

Primary Sensor	Secondary Zone	Tertiary Zone	Mounting Type	Overall Suspension
(blank) No Sensors NS# Primary Zone, no sensor ADC¹ Daylight Dimming Sensor PDT¹ Dual technology Occupancy and Daylight Dimming Sensor APIR Passive Infrared Occupancy and Daylight Dimming Sensor APDT Dual Technology Occupancy, PIR and Microphonics Sensor Only FLL is available with sensors. Sensors are not available with 347, NO DIM, WEC, & DALI. 1. PDT or ADC are not available with NLTAIR2.	(blank) No Secondary Zone SNS# Secondary Zone, no sensor SADC¹ Daylight Dimming Sensor SPDT¹ Dual technology Occupancy and Daylight Dimming Sensor SAPIR Passive Infrared Occupancy and Daylight Dimming Sensor SAPDT Dual Technology Occupancy, PIR and Microphonics Sensor Only FLL is available with sensors. Sensors are not available with 347, NO DIM, WEC & DALI. 1. SPDT or SADC are not available with NLTAIR2.	(blank) No Tertiary Zone TNS# Tertiary Zone, no sensor	F1 T-Bar Ceiling (universal mounting bracket) F1A T-Bar Ceiling (UMB with integrated J-BOX) F2 T-Bar Hard ceiling (horizontal J-box)	36A 36" Adjustable 72A 72" Adjustable 144A 144" Adjustable 240A 240" Adjustable 300A¹ 300" Adjustable 1. Black cord is not available with 300A.

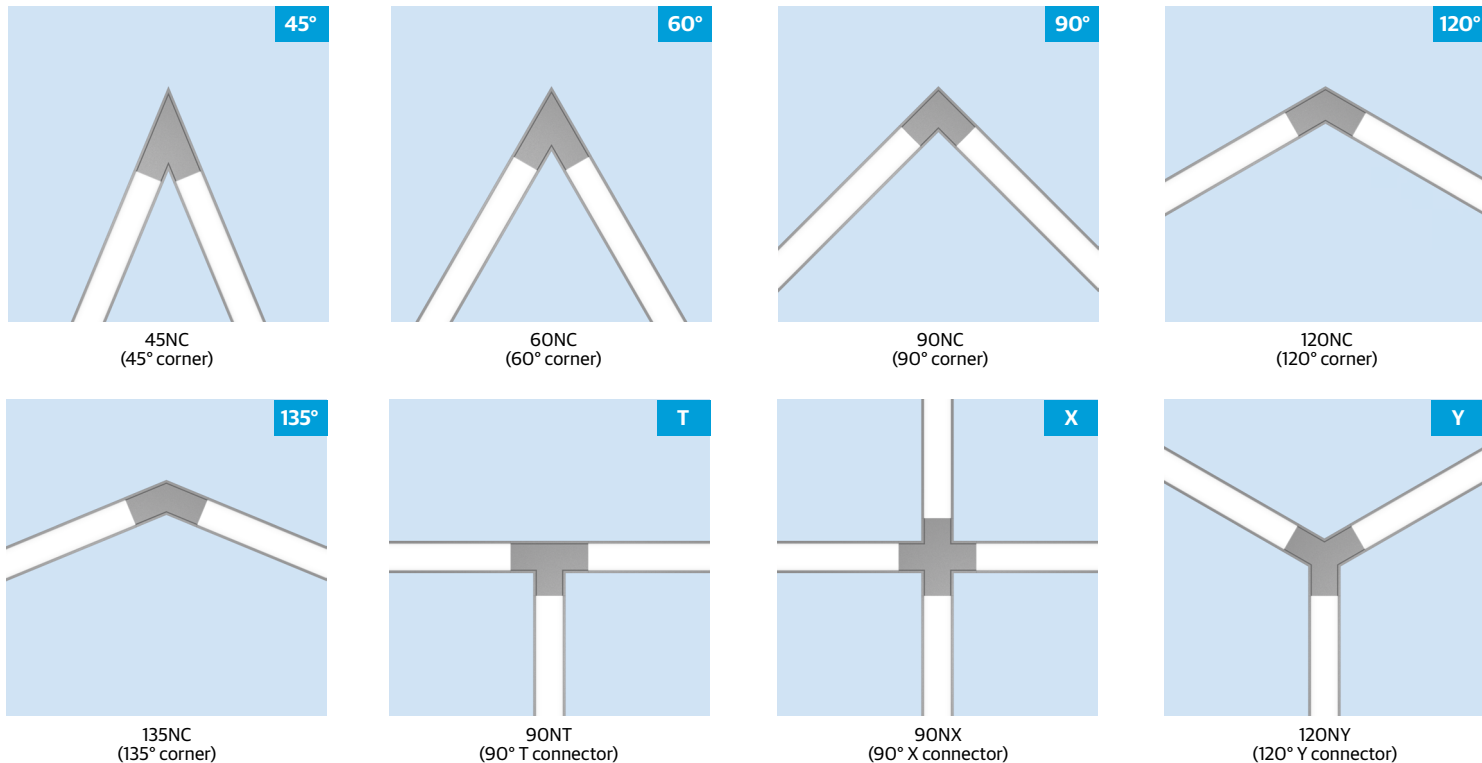
--	--	--	--	--	--

Canopy Form	Canopy Color	Cord Color	Options
RDCY Round Canopy SQCY Square Canopy	BLKCY Black Canopy WHTCY White Canopy SLVCY Silver Canopy	WCRD White cord BCRD Black cord CCRD Clear cord CAT5 cord, when included will be white.	(blank) No Options MCS Matching Support Canopy BAA Buy America(n) Act and/or Build America Buy America Qualified PIF Feed Cord Installed

NOTE: Unit length and lumen outputs may affect available options.

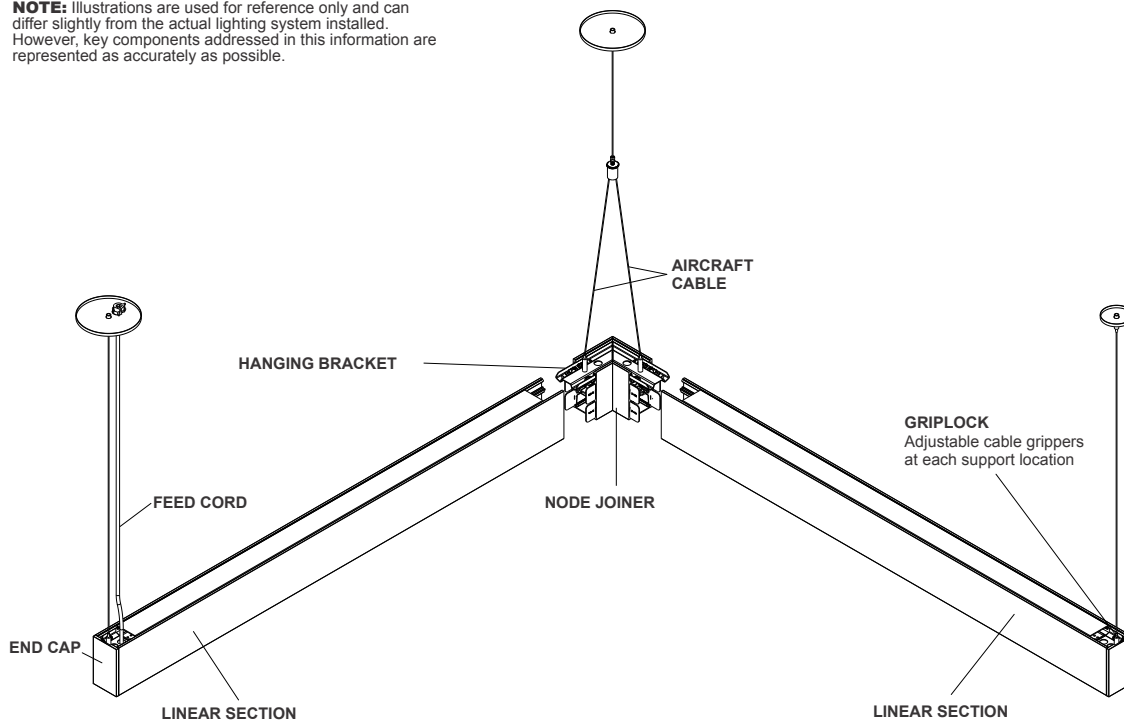
CORNERS & CONNECTORS

Eight standard corners and connectors can be combined with illuminated straight sections provide the building blocks to create patterns or geometric shapes



JOINING

NOTE: Illustrations are used for reference only and can differ slightly from the actual lighting system installed. However, key components addressed in this information are represented as accurately as possible.



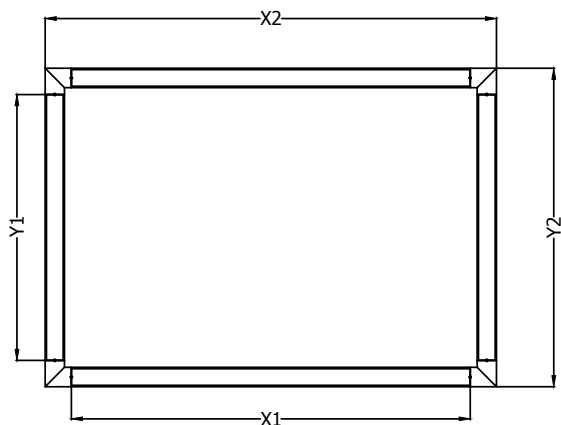
PATTERN ORDERING GUIDE

Slot 2 Nodes can be used to configure patterns, in 1" increments, using 40°, 60°, 90°, 120°, 135° corners, 90° T, X connectors, or 120° Y connectors.

- 4 corners are required for SPP & RPP plans.
- The system will only price a maximum of 6 of each type of connector on one order line and up to 100 total feet. Please consult with quotations to determine pricing if over limits.
- Total Run Length = Total of nominal sides of the pattern

RECTANGLE AND SQUARE SIZE EXAMPLES AND NOMENCLATURE

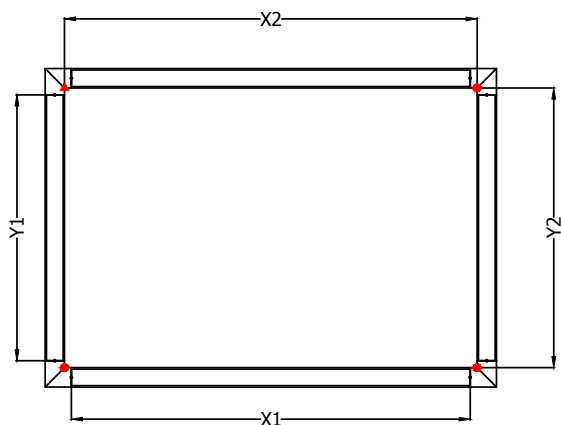
Example: S2PDMP RPP 20FT 490NC 90CRI 35K 800LMF SCT DARK FLL MVOLT WHTT ZT F1/36A RDCY WHTCY WCRD



Square and Rectangle							
Nominal Size	Order Length		Total Run Length FT	Actual Overall Length		Connector QTY	Connector
	X1	Y1		X2	Y2		
2'	2FT	2FT	X1 + Y1 x 2	2' - 8.5"	2' - 8.5"	4	90NC
3'	3FT	3FT	X1 + Y1 x 2	3' - 8.5"	3' - 8.5"	4	90NC
4'	4FT	4FT	X1 + Y1 x 2	4' - 8.5"	4' - 8.5"	4	90NC
5'	5FT	5FT	X1 + Y1 x 2	5' - 8.5"	5' - 8.5"	4	90NC
6'	6FT	6FT	X1 + Y1 x 2	6' - 8.5"	6' - 8.5"	4	90NC
7'	7FT	7FT	X1 + Y1 x 2	7' - 8.5"	7' - 8.5"	4	90NC
8'	8FT	8FT	X1 + Y1 x 2	8' - 8.5"	8' - 8.5"	4	90NC
10'	10FT	10FT	X1 + Y1 x 2	10' - 8.5"	10' - 8.5"	4	90NC
12'	12FT	12FT	X1 + Y1 x 2	12' - 8.5"	12' - 8.5"	4	90NC
14'	14FT	14FT	X1 + Y1 x 2	14' - 8.5"	14' - 8.5"	4	90NC
16'	16FT	16FT	X1 + Y1 x 2	16' - 8.5"	16' - 8.5"	4	90NC
18'	18FT	18FT	X1 + Y1 x 2	18' - 8.5"	18' - 8.5"	4	90NC
20'	20FT	20FT	X1 + Y1 x 2	20' - 8.5"	20' - 8.5"	4	90NC

Other lengths available 2' and above in inch increments.

SUSPENSION AND FEED LOCATIONS



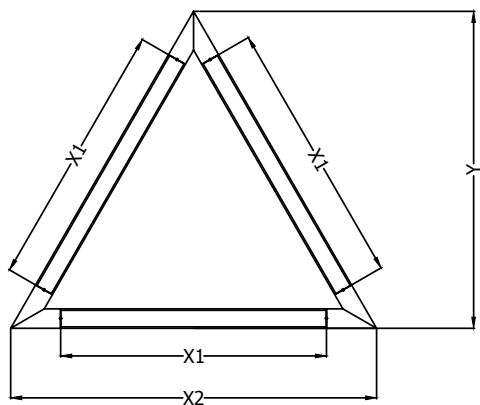
- ▲ Power Feed
- Support

Suspension and Feed Locations				
Nominal Size	Order Length		Mounting Dimensions	
	X1	Y1	X2	Y2
2'	2FT	2FT	2' - 3"	2' - 3"
3'	3FT	3FT	3' - 3"	3' - 3"
4'	4FT	4FT	4' - 3"	4' - 3"
5'	5FT	5FT	5' - 3"	5' - 3"
6'	6FT	6FT	6' - 3"	6' - 3"
7'	7FT	7FT	7' - 3"	7' - 3"
8'	8FT	8FT	8' - 3"	8' - 3"
10'	10FT	10FT	10' - 3"	10' - 3"
12'	12FT	12FT	12' - 3"	12' - 3"
14'	14FT	14FT	14' - 3"	14' - 3"
16'	16FT	16FT	16' - 3"	16' - 3"
18'	18FT	18FT	18' - 3"	18' - 3"
20'	20FT	20FT	20' - 3"	20' - 3"

PATTERN ORDERING GUIDE

TRIANGLE SIZE EXAMPLES AND NOMENCLATURE

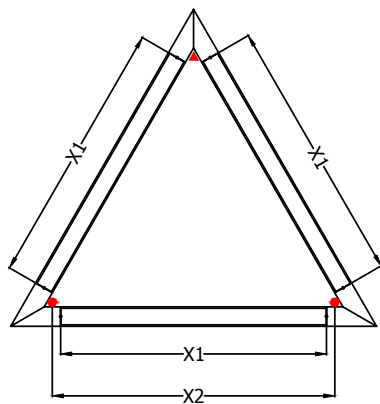
Example: S2PDMP CPP 12FT 36ONC 90CRI 35K 800LMF SCT DARK FLL MVOLT WHTT ZT F1/36A RDCY WHTCY WCRD



Nominal Size	Section Length	Total Run Length FT	Triangle		Connector QTY	Connector
			Actual Overall Length			
			X2	Y		
3'	2FT	6FT	3' - 0.3"	2' - 7.4"	3	6ONC
4'	3FT	9FT	4' - 0.3"	3' - 5.9"	3	6ONC
5'	4FT	12FT	5' - 0.3"	4' - 4.5"	3	6ONC
6'	5FT	15FT	6' - 0.3"	5' - 2.6"	3	6ONC
7'	6FT	18FT	7' - 0.3"	6' - 1.1"	3	6ONC
8'	7FT	21FT	8' - 0.3"	6' - 11.4"	3	6ONC
9'	8FT	24FT	9' - 0.3"	7' - 9.8"	3	6ONC

Other lengths available 2' and above in inch increments.

SUSPENSION AND FEED LOCATIONS



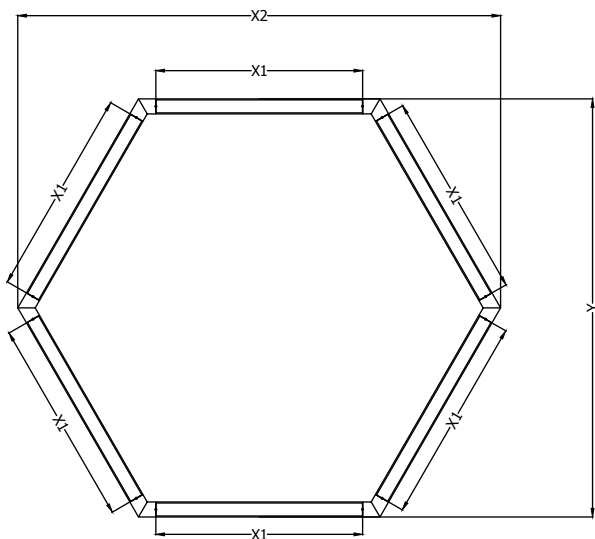
- ▲ Power Feed
- Support

Triangle Suspension and Feed Locations		
Nominal Size	Order Length	Mounting Dimensions
	X1	X2
3'	2FT	2' - 2"
4'	3FT	3' - 2"
5'	4FT	4' - 2"
6'	5FT	5' - 2"
7'	6FT	6' - 2"
8'	7FT	7' - 2"
9'	8FT	8' - 2"

PATTERN ORDERING GUIDE

HEXAGON SIZE EXAMPLES AND NOMENCLATURE

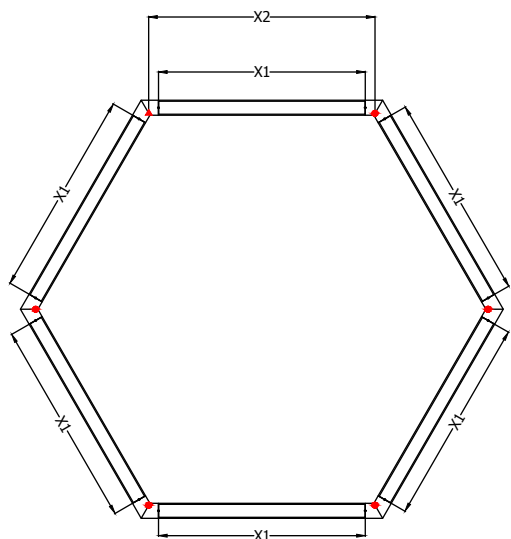
Example: S2PDMP CPP 24FT 6120NC 90CRI 35K 800LMF SCT DARK FLL MVOLT WHTT ZT F1/36A RDCY WHTCY WCRD



Hexagon						
Nominal Size	Section Length	Total Run Length FT	Actual Overall Length		Connector QTY	Connector
	X1		X2	Y		
5'	2FT	12FT	5' - 2.9"	4' - 6.4"	6	120NC
7'	3FT	18FT	7' - 2.9"	6' - 3.2"	6	120NC
9'	4FT	24FT	9' - 2.9"	8' - 0"	6	120NC
11'	5FT	30FT	11' - 2.9"	9' - 8.8"	6	120NC
13'	6FT	36FT	13' - 2.9"	11' - 5.6"	6	120NC
15'	7FT	42FT	15' - 2.9"	13' - 3.4"	6	120NC
17'	8FT	48FT	17' - 2.9"	14' - 11.2"	6	120NC

Other lengths available 2' and above in inch increments.

SUSPENSION AND FEED LOCATIONS



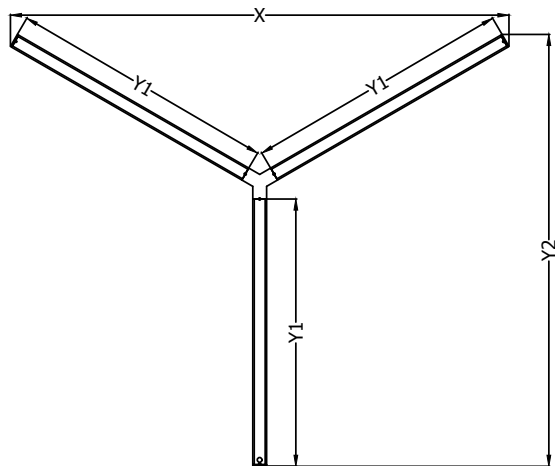
▲ Power Feed
● Support

Hexagon Suspension and Feed Locations		
Nominal Size	Order Length	Mounting Dimensions
	X1	X2
3'	2FT	2' - 4.5"
5'	3FT	3' - 4.5"
7'	4FT	4' - 4.5"
9'	5FT	5' - 4.5"
11'	6FT	6' - 4.5"
13'	7FT	7' - 4.5"
15'	8FT	8' - 4.5"

PATTERN ORDERING GUIDE

"Y" SIZE EXAMPLES AND NOMENCLATURE

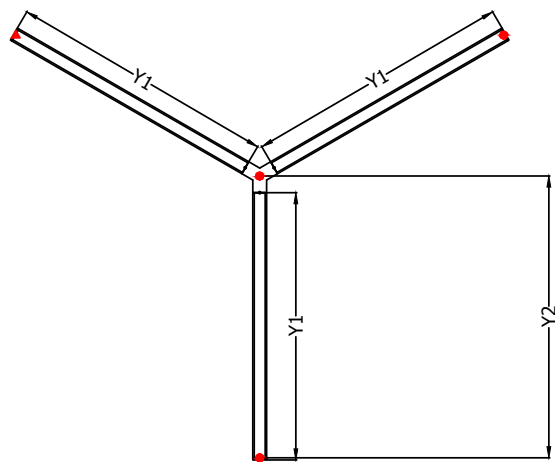
Example: S2PDMP OPP 12FT 120NY 90CRI 35K 800LMF SCT MINI FLL MVOLT WHTT ZT F1/36A RDCY WHTCY WCRD



Y Pattern						
Nominal Size	Section Length	Total Run Length FT	Actual Overall Length		Connector QTY	Connector
	X1		X	Y2		
4'	2FT	12FT	4' - 0.4"	3' - 5.9"	1	120NY
5'	3FT	15FT	5' - 9.25"	4' - 11.9"	1	120NY
7'	4FT	21FT	7' - 6.0"	6' - 5.9"	1	120NY
9'	5FT	27FT	9' - 2.8"	7' - 11.9"	1	120NY
11'	6FT	33FT	10' - 11.6"	9' - 5.9"	1	120NY
13'	7FT	39FT	12' - 8.4"	10' - 11.6"	1	120NY
14'	8FT	42FT	14' - 5.1"	12' - 5.9"	1	120NY

Other lengths available 2' and above in inch increments.

SUSPENSION AND FEED LOCATIONS



Y-Shape Suspension and Feed Locations		
Nominal Size	Order Length	Mounting Dimensions
	X1	X2
3'	2FT	2' - 2.88"
5'	3FT	3' - 2.88"
7'	4FT	4' - 2.88"
9'	5FT	5' - 2.88"
11'	6FT	6' - 2.88"
13'	7FT	7' - 2.88"
15'	8FT	8' - 2.88"

- ▲ Power Feed
- Support

MOST COMMON MOUNTING TYPES AND OPTIONS Options available for this specific luminaire are checked in the boxes below.

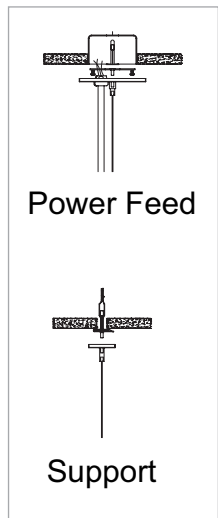
Mounting Type

- F1/*** For use with most T-Bar and screw slot grid ceilings. Designed for on-grid and off-grid applications. (J-box by others)
- F1A/*** For use with most T-Bar grid ceilings. Designed for on-grid applications. Comes complete with J-box with built-in cutout to go over grid
- F2/** For use with recessed or surface mount horizontal J-box applications. (J-box by others)

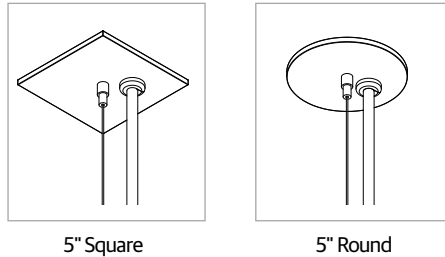
*For use with flush ceiling tiles only. For tegular ceiling tiles, purchase of new universal bracket with longer bolt is required. (*249E5A)

Mounting Options

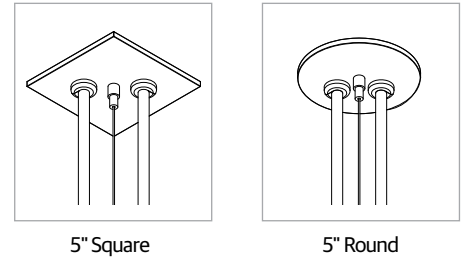
- MCS** MCS canopy supplies 5" canopy to match feed point canopy size. Matching canopy at support for aesthetics.
- PIF** Feed cord installed in fixture.



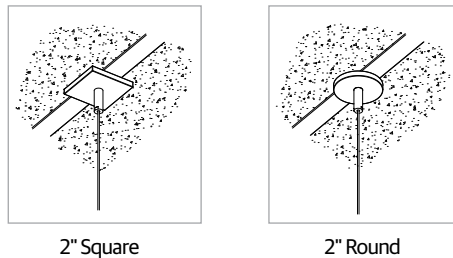
Mounting with Feed (SPSWIFK)



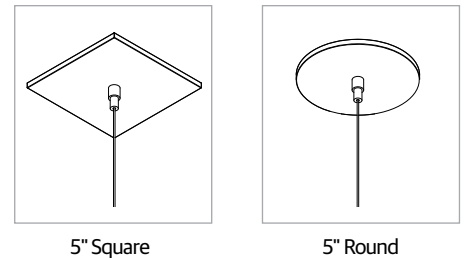
Mounting with Dual Feed (SPSW2FK)



Mounting Support (SPSWSK)

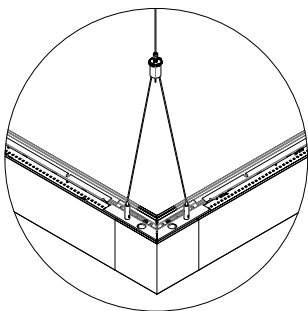


MCS Option

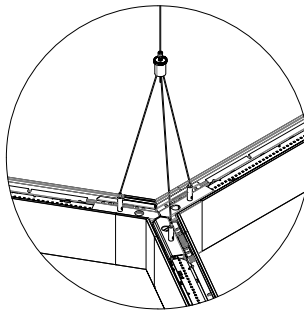


Node Connector Mounting

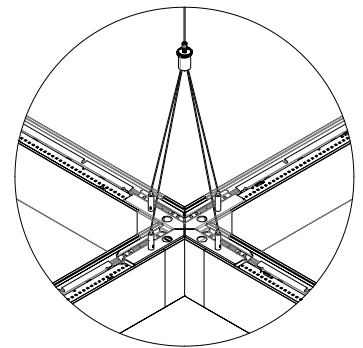
**2 POINT
Corner**



**3 POINT
Y & T Intersections**



**4 POINT
X Intersection**



INTELLIGENT LUMINAIRE TECHNOLOGY GUIDE

Choose nomenclature from these columns					
Driver Configurations	Minimum Dimming Level	Control Input	Dimming Range	Notes	
	NO DIM	+	(blank)	-	No 0-10V leads from the driver.
	MINIO	+	ZT	100 to 10%	
	MINI	+	ZT	100 to 1%	
	MINI	+	NLIGHT	100 to 1%	
	MINI		ECOD	100 to 1%	Lutron Hi-lume 1% EcoSystem LED Driver with Soft-on, Fade-to-Black (model LDE1)
	DARK		ZT	100 to 0.1%	
	DARK		NLIGHT	100 to 0.1%	
	DARK		DALI	100 to 0.1%	"Compatible with DALI. Formerly (EDB & EDAB) nomenclature." Logarithmic dimming

Choose nomenclature from these columns						
Control / Sensor Configurations	Control Input	Sensor	Sensor	Notes		
	ZT	+	ADC	=	MSD ADC	Automatic dimming control integral photocell.
	ZT	+	PDT	=	MSD PDT 7	Dual technology integral occupancy sensor.
	ZT	+	APIR	=	MSD 7 ADC	PIR integral occupancy sensor with automatic dimming control photocell.
	ZT	+	APDT	=	MSD PDT 7 ADC	Dual technology integral occupancy sensor with automatic dimming control photocell.
	NLIGHT	+	(blank)	=	nIO EZ PH	nLight enabled only. No onboard sensor.
	NLIGHT	+	ADC	=	nIO EZ PH + nES ADCX	Automatic dimming control integral photocell. nLight enabled.
	NLIGHT	+	PDT	=	nIO EZ PH + nES PDT 7	360° Dual technology integral occupancy sensor. nLight enabled.
	NLIGHT	+	APIR	=	nIO EZ PH + nES 7 ADCX	360° PIR integral occupancy sensor with automatic dimming control photocell. nLight enabled.
	NLIGHT	+	APDT	=	nIO EZ PH + nES PDT 7 ADCX	360° Dual technology integral occupancy sensor with automatic dimming control photocell. nLight enabled.
	NLTAIR2	+	(blank)	=	RIO EZDL EXT900 ACWH 90D G2	nLight AIR enabled only. No onboard sensor.
	NLTAIR2	+	APIR	=	RES7 EXT900 ACWH 90D G2	PIR integral occupancy sensor with automatic dimming control photocell. nLight AIR enabled.
	NLTAIR2	+	APDT	=	RES7 PDT EXT900 ACWH 90D G2	Dual technology integral occupancy sensor with automatic dimming control photocell. nLight AIR enabled.

For more information, please consult our technical guides for [nLight](#) or [nLight Air](#).

UL924 Sequence of Operation

The below information applies to all nLight AIR devices with an EM option.

- EM devices will remain at their high-end trim and ignore wireless lighting control commands, unless a normal-power-sensed (NPS) broadcast is received at least every 8 seconds.
- Using the **CLAIRITY+** mobile app, EM devices must be associated with a group that includes a normal power sensing device to receive NPS broadcasts.
- Only non-emergency rPP20, rLSXR, rSBOR, rSDGR, and nLight AIR luminaires with version 3.4 or later firmware can provide normal power sensing for EM devices. See specification sheets for control devices and luminaires for more information on options that support normal power sensing.

nLight® Wired Control Accessories
Order as separate catalog number

Wall Switches	Model Number
On/Off single pole	nPODMA (color)
On/Off two pole	nPODMA 2P (color)
On/Off single pole, dimming	nPODMA DX (color)
On/Off two pole, dimming	nPODMA 2P DX (color)
On/Off, two level	nPODMA 2L (color)
Graphic touchscreen	nPOD TOUCH (color)

For more information see [nPOD](#) and [nPOD TOUCH](#) spec sheets

nLight AIR® Control Accessories
Order as separate catalog number

Wall Switches	Model Number
On/Off single pole	rPODBA (color)
On/Off two pole	rPODBA 2P (color)
On/Off single pole, dimming	rPODBA DX (color)
On/Off two pole, dimming	rPODBA 2P DX (color)
On/Off, 4 scene control	rPODBA 4S (color)

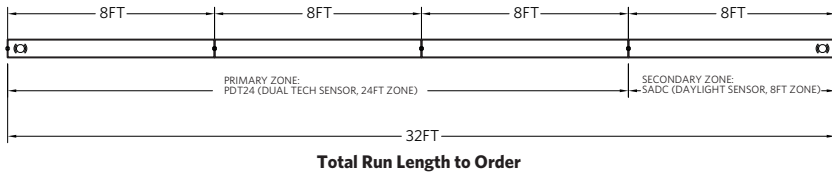
For more information see [rPOD](#) spec sheets

INTEGRATED SENSOR LAYOUT

For runs longer than 8FT:
ALWAYS order the run by the TOTAL RUN LENGTH. Ordering the sections individually will not provide the correct joining hardware to allow connection in the field.

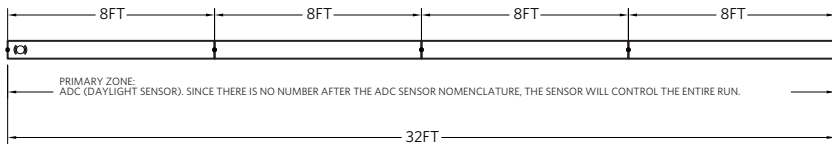
CORRECT:

32FT MSL8 RUN WITH 2 SENSORS WITH PRIMARY ZONE 24FT AND SECONDARY ZONE 8FT -- PDT24 SADC8



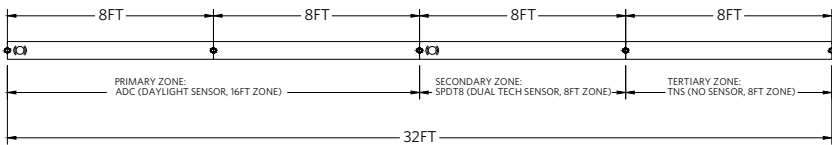
Total Run Length to Order

32FT MSL8 RUN WITH 1 SENSOR ALL ONE ZONE -- ADC



Total Run Length to Order

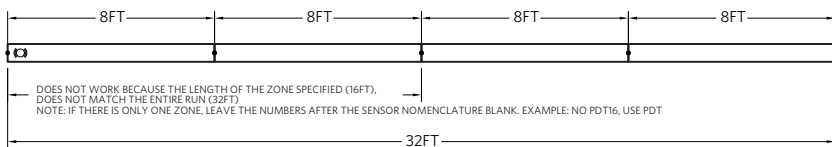
32FT MSL8 RUN WITH 2 SENSORS WITH PRIMARY ZONE 16FT, SECONDARY ZONE 8FT, AND TERTIARY ZONE 8FT-- ADC16 SPDT8 TNS8



Total Run Length to Order

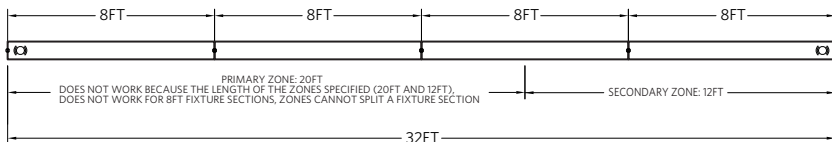
INCORRECT:

32FT MSL8 RUN WITH 1 SENSOR ALL ONE ZONE -- PDT16



DOES NOT WORK BECAUSE THE LENGTH OF THE ZONE SPECIFIED (16FT), DOES NOT MATCH THE ENTIRE RUN (32FT)
NOTE: IF THERE IS ONLY ONE ZONE, LEAVE THE NUMBERS AFTER THE SENSOR NOMENCLATURE BLANK. EXAMPLE: NO PDT16, USE PDT

32FT MSL8 RUN WITH 2 SENSORS WITH PRIMARY ZONE 20FT AND SECONDARY ZONE 12FT -- PDT20 SADC12



DOES NOT WORK BECAUSE THE LENGTH OF THE ZONES SPECIFIED (20FT AND 12FT), DOES NOT WORK FOR 8FT FIXTURE SECTIONS, ZONES CANNOT SPLIT A FIXTURE SECTION

Notes:

- Only one sensor per zone
- At the most, the entire run can only have 2 sensors (thus 2 sensors zones at the most)
- Sensor zone can not split fixture sections
- No overlapping zones

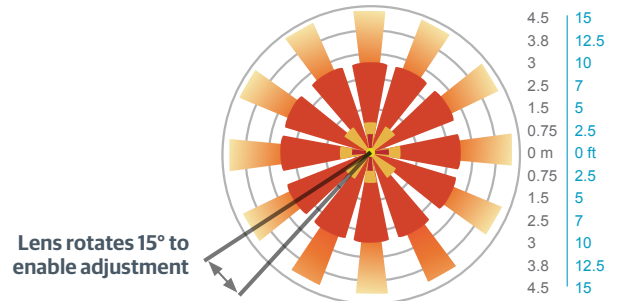
OCCUPANCY DETECTION COVERAGE

At the 7.5 ft (2.9 m) hanging height of a typical pendant mount fixture the sensor provides 10 ft (3.05 m) radial detection of small motion. At a 9 ft (2.74 m) hanging height the radius is 12 ft (3.66 m) for small motion.

Adequate for walking motion detection from mounting heights between 7.5 ft (2.29 m) and 20 ft (6.10 m).

Initial detection will occur earlier when walking across sensor's field of view than when walking directly at sensor.

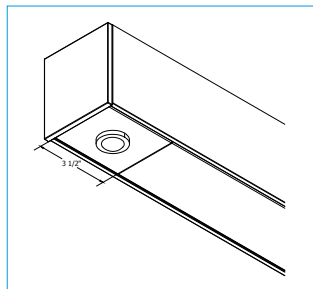
Initial detection of walking motion into long coverage segment will occur at distances of 2x the mounting height up to 15 ft (4.57 m) and 1.75x up to 20 ft (6.10 m). Lens assembly rotates 15° to enable adjustment in order to line up long segments.



Lens rotates 15° to enable adjustment

Integrated Controls

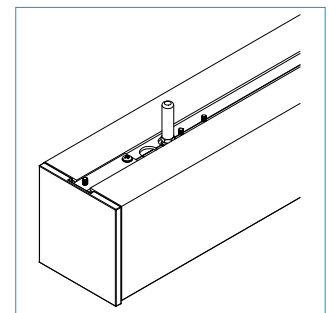
Optional nLight® integrated controls make Slot LED luminaires addressable- allowing them to digitally communicate with other nLight enabled controls such as dimmers, switches, occupancy sensors and photocontrols. Simply connect all the nLight enabled control devices using standard CAT5 Cabling (included).



Occupancy Sensor and/or Photocell

nLight Air Wireless Antenna Location

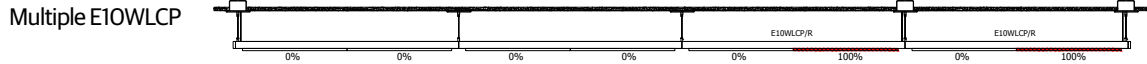
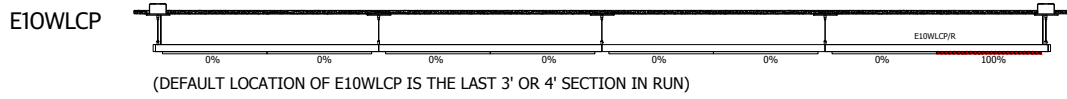
Note: Antenna will be shipped separately and will need to be attached to the coax connector.



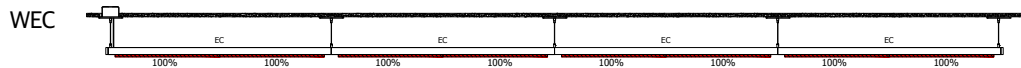
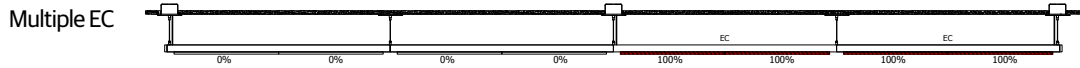
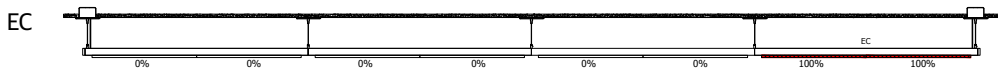
EMERGENCY OPTIONS

Emergency Battery Packs

The PS1055LCP battery is integral to the fixture and comes standard with test switch and self-diagnostics. Only direct light portion operated by emergency, as indicated below. Battery packs cannot be placed in the connectors.



Emergency Circuits



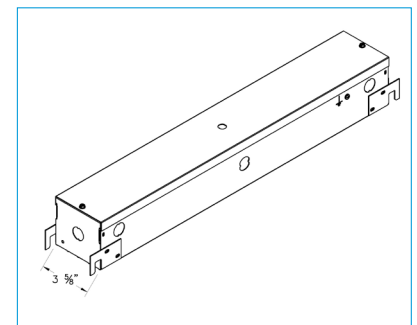
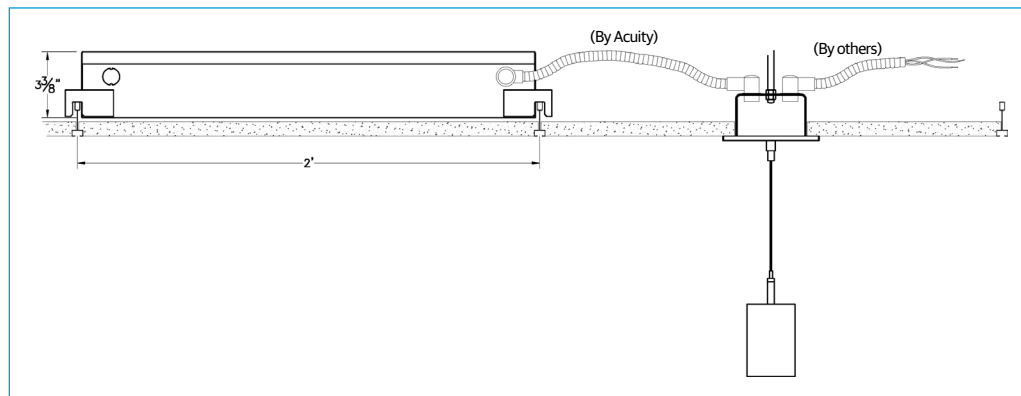
Note: Entire run on emergency circuit. (Not available with NLIGHT or NLTAIR2)

How to Estimate Delivered Lumens in Emergency Mode
Use the formula below to estimate the delivered lumens in emergency mode
Delivered Lumens = 1.25 x P x LPW
P = 10W for PS1055LCP
LPW = Lumen per watt rating of the luminaire This information is available on page 1 of this spec sheet or appropriate IES file.

Section Length	E10WLCP	EC
U2	None	Entire unit
U3	None	Entire unit
U4	Entire unit	Entire unit
U5	Last 3'	Entire unit
U6	Last 3'	Entire unit
U7	Last 4'	Entire unit
U8	Last 4'	Entire unit

Remote GTD Mounting Option

Recessed in ceiling. Consult factory for other ceiling types or canopy options. 6 foot flexible conduit included, GTD option should be mounted within 6 feet of junction box above fixture.



Accessible Ceiling

SPECIFICATIONS

Housing

One-piece extruded aluminum housing

Nodes

Non-illuminated connector constructed of welded aluminum extrusion.

Finish

Standard colors for fixtures and end caps are polyester powder coated white, black, or silver with satin sheen. Consult factory for custom colors and RAL color options.

Lenses/Shielding

Direct: Extruded acrylic lens, (FLL).

LED Components

Multiple lumen packages available with 2700K, 3000K, 3500K, 4000K and 5000K CCT. The Acuity Brands circuit boards for the linear LED components use a precise binning algorithm which creates a consistent color temperature from board to board. The color a variation of no greater than a 2.5 Step MacAdam (2.55DECM) along the black body locus from board to board.

Electrical

Long-life LEDs, coupled with high-efficiency drivers, provide superior quantity and quality of illumination for extended service life. 90% LED lumen maintenance at 60,000 hours (L90/60,000).

Controls System Networking Options

Optional integrated nLight® controls make each fixture addressable - allowing it to digitally communicate with other nLight enabled controls such as dimmers, switches, occupancy sensors, and photocontrols. Connection to nLight is simple. It can be accomplished with remote nLight AIR wireless or through standard Cat-5 cabling. (cabling "by others") nLight offers unique plug-and-play convenience as devices and luminaires automatically discover each other, while nLight AIR is commissioned easily through an intuitive mobile app.

Emergency Battery (Optional)

Integral emergency battery (E10WLCP) for 90 minutes of operation. Emergency battery pack, 10W, Linear Constant Power Certified in CA Title 20 MAEDBS.

Remote generator transfer device (GTD) works in conjunction with an auxiliary generator or a central inverter system to power fixtures for safe egress lighting.

Dimming Drivers

Factory tuned constant current electronic dimming driver is standard. Flicker free dimming available down to <1%. LED drivers perform within the recommended operating areas for flicker as a function of frequency and modulation (%) IEEE Standard 1789-2015 (IEEE Recommended Practices for Modulating Current in High-Brightness LEDs for Mitigating Health Risks to Viewers), in typical operating conditions at representative dimming levels. Electrical specifications at maximum driver load: PF > 0.9 and THD <20%. Meets FCC Title 47 Class A or Class B. Other available drivers include Lutron and DALI protocol drivers. All drivers are RoHS compliant.

Environment

Suitable for damp location. Indoor use only.

Certification

CSA certified to meet U.S. and Canadian standards (UL1598 and UL8750).

Ambient Operating Temperature

-20°C (-4° F) to +25°C (+77°F).

Government Procurement

BAA - Buy America(n) Act: Product qualifies as a domestic end product under the Buy American Act as implemented in the FAR and DFARS. Product also qualifies as manufactured in the United States under DOT Buy America regulations.

BABA - Build America Buy America: Product qualifies as produced in the United States under the definitions of the Build America, Buy America Act.

Please refer to www.acuitybrands.com/buy-american for additional information.

Fixture Weight

0.8 lbs per foot, less packaging.

Warranty

5-year limited warranty. This is the only warranty provided and no other statements in this specification sheet create any warranty of any kind. All other express and implied warranties are disclaimed. Complete warranty terms located at: www.acuitybrands.com/support/warranty/terms-and-conditions

Note: Actual performance may differ as a result of end-user environment and application.

All values are design or typical values, measured under laboratory conditions at 25 °C.

Specifications subject to change without notice.

4-Inch Uplight LED Skirt Baseboard Floor Molding For 12mm Light Tape

MODEL: QSG-10016



Price based on selections below:

\$45.98

Select Channel Color:	<input type="radio"/> Silver (Base)
Select Diffuser:	<input type="radio"/> PC opal (60-65% transmittance) (Base) , <input type="radio"/> PC semi-clear (70-80% transmittance) (Base)
Select Length:	<input type="radio"/> 3.28ft (1 meter) (Base) , 6.56ft (2 meters), 8ft (2.44 meters)
Availability	In Stock
Condition	Brand New

TECHNICAL SPECIFICATIONS

As this is our 2026 new product, inventory may be limited. We recommend consulting us before purchasing. If stock is unavailable, production fees may apply for small quantities.

Elevate your apartment, office, or retail space with the 4-inch (100mm) high Uplight LED Skirt Baseboard – a sleek, surface-mounted aluminum profile that seamlessly blends wall protection with ambient edge lighting. Crafted from durable 6063-T5 anodized aluminum in a refined silver finish, this 16mm-thick linear extrusion installs directly over the floor-wall junction, acting as both a protective kickboard and a modern lighting solution. Its innovative lightweight structure is engineered to fully conceal up to 15mm-thick existing baseboard materials, enabling quick retrofit upgrades without demolition.

The top-emitting baseboard channel features a precise 13.5mm inner width, perfectly accommodating 12mm-wide LED tape for flawless fit and optimal light output. With 12mm being the most versatile LED strip size, you gain access to endless color options – from [warm white](#) and [tunable CCT](#) to vibrant [RGB](#) and [RGBW](#) – enabling dynamic mood lighting, accent glow, or functional night guidance along room perimeters.

Designed for effortless surface mounting, this uplight baseboard molding grazes walls with clean, upward illumination, enhancing architectural lines and creating a floating, spacious ambiance. Ideal for residential, hospitality, and retail interiors, it transforms ordinary corners into elegant, illuminated transitions – all while safeguarding walls from everyday wear.

Product Specification

Product Type: 4-Inch Uplight LED Skirt Baseboard Floor Molding

Material: 6063-T5 Aluminum Alloy

Channel Size: W16.2mm(0.64")*H100mm(3.97")

Inner Width: 13.5mm(0.53")

Color: Anodized silver

LED Diffuser: PC opal diffuser, semi-clear diffuser

Length: 1m(3.28ft), 2m(6.56ft), 2.44m(8ft)

Accessory: 1*aluminum baseboard floor trim molding, 1*light diffuser cover, 2*end cap

Apply to: 8mm/10mm/12mm led tape light

Installation: Surface mount



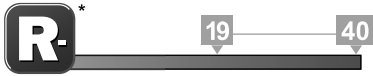
Prefer a lower profile? Check out our [black MS-AL-6012 model](#) – same top-lit design, just 60mm high.

Energy Saver™ Double Layer

PROVIDES



Full Cavity
No Visible
Girts



**Bright Clean
Finished
Appearance**



**Vapor
Retarder**



**ECOSE™
Formaldehyde
Free**



**Excellent
Acoustic
Properties**



**Custom
Sized
Fabric &
Insulation**



**Air
Tightness**



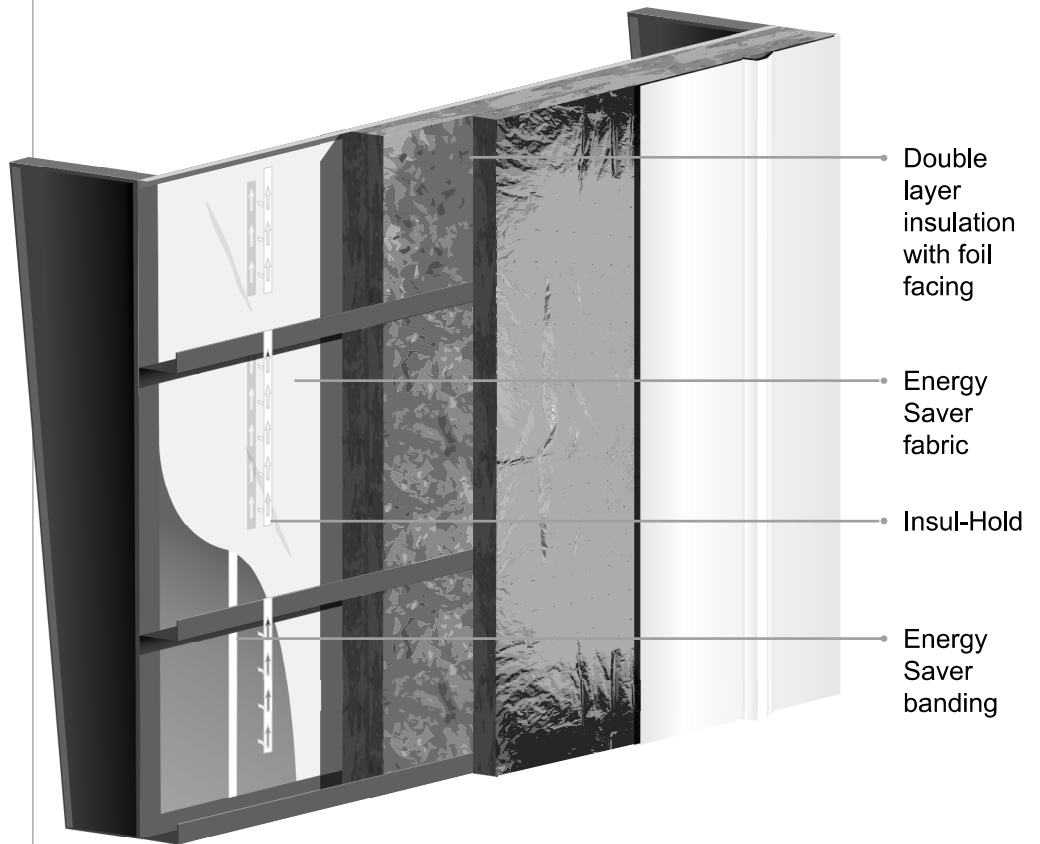
Reflective



**Hot Melt
Technology**

Double layer high R-value insulation system with reduced air infiltration

- Maximizes R-value with cavity filling system that provides excellent thermal properties with an additional external perforated faced layer of insulation
- Reduced air-infiltration
- Our Energy Saver fabric welding process produces seams that exceed the ASTM D-751* Standard of the fabric itself
- Insul-Hold (hangers) retains the insulation in proper cavity location
- Unique hot melt lamination technology virtually eliminates wrinkles



**Certified Glass
Mineral Wool
Available**



**Certified
Laminated Glass
Mineral Wool
Available**

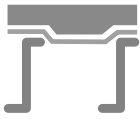


**Meets or Exceeds
ASTM E-84**

* It is important to completely fill the purlin/girt cavity. Contact your Silvercote Sales Representative for the best combination for your individual project.

Sag-N-Bag

PROVIDES



Over Framing

Exposed Purlins



Bright Clean Finished Appearance



Vapor Retarder



Formaldehyde Free



Excellent Acoustic Properties



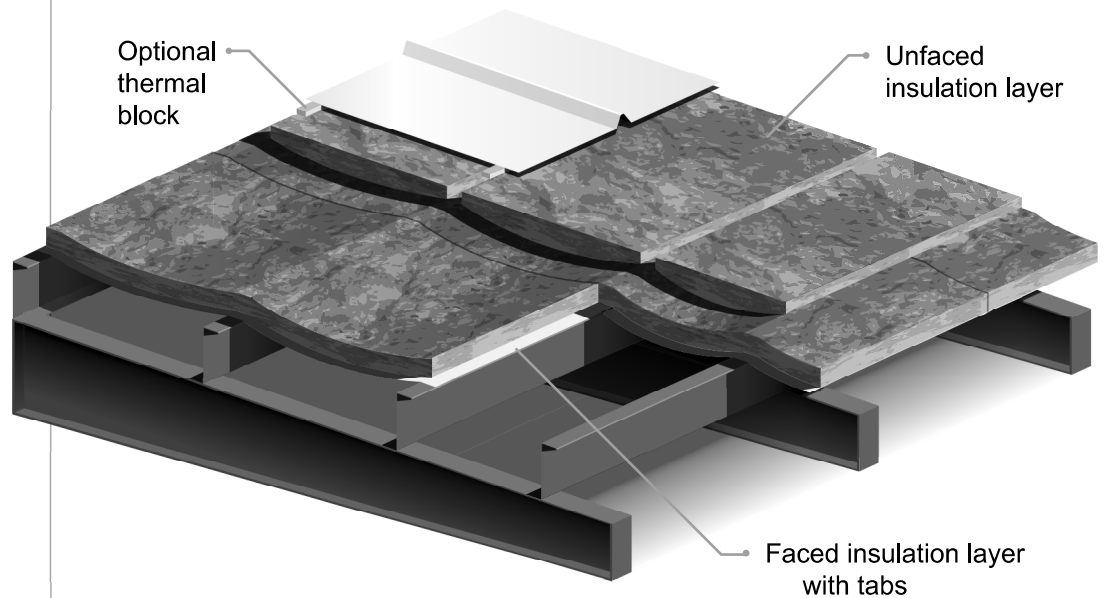
Custom Sized Fabric & Insulation



Hot Melt Technology

Double layer; faced blanket insulation and unfaced insulation

- Over the purlin insulation system, economical alternative for increasing R-values
- Custom designed faced blanket to fit your specific project dimensions
- Unique hot melt lamination technology virtually eliminates wrinkles



Certified Glass Mineral Wool Available



Certified Laminated Glass Mineral Wool Available



Meets or Exceeds ASTM E-84

Silvercote

A Distribution International Company



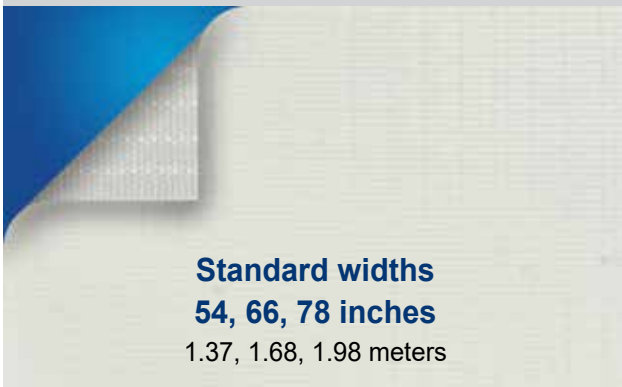
Insulation Facing Product Selection Guide

SPECIALTY FACINGS



GYM GUARD

Athletic facilities and high traffic areas
Highly abuse resistant

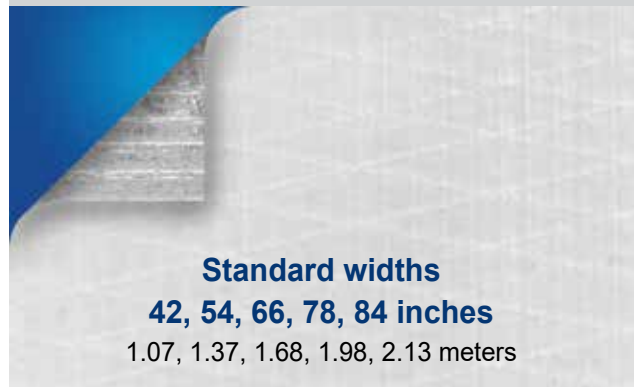


Standard widths
54, 66, 78 inches
1.37, 1.68, 1.98 meters



WMP-UV HD®

Intense lighting (natural/artificial):
Auto shops, retail and loading docks
Premium, heavy duty facing with added UV resistance

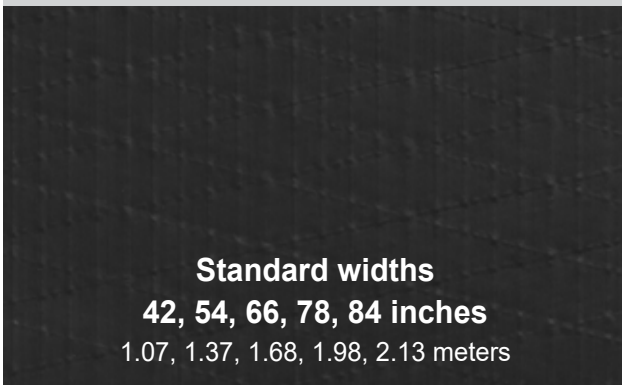


Standard widths
42, 54, 66, 78, 84 inches
1.07, 1.37, 1.68, 1.98, 2.13 meters



BLACK (WMP-VR, WMP-VR-R PLUS, WMP-10 and WMP-50)

Casinos, churches, malls, multi-use facilities,
restaurants, schools and theaters
Unique appearance

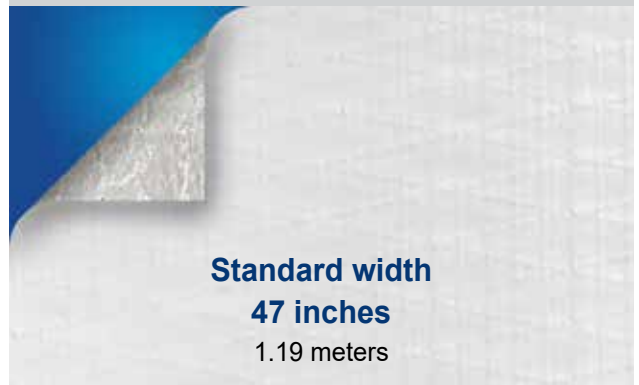


Standard widths
42, 54, 66, 78, 84 inches
1.07, 1.37, 1.68, 1.98, 2.13 meters



WMP-RETRO

Specifically designed for re-covering
damaged faced insulation
Easy to install/handle 500 SF rolls



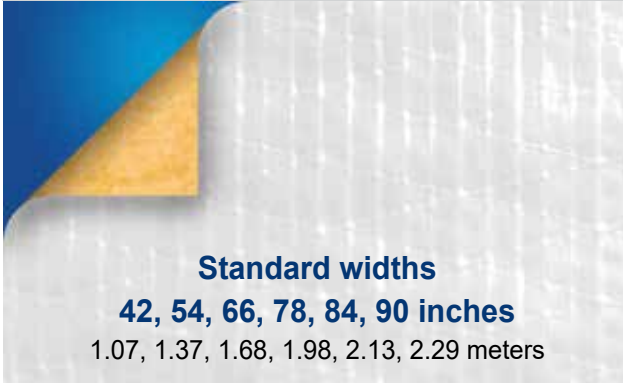
Standard width
47 inches
1.19 meters

MOST POPULAR FACINGS - GENERAL PURPOSE

WMP®-VR

Low cost standard duty

Excellent for most chemical environments



Standard widths

42, 54, 66, 78, 84, 90 inches

1.07, 1.37, 1.68, 1.98, 2.13, 2.29 meters

WMP-10

Standard duty

Excellent general purpose



Standard widths

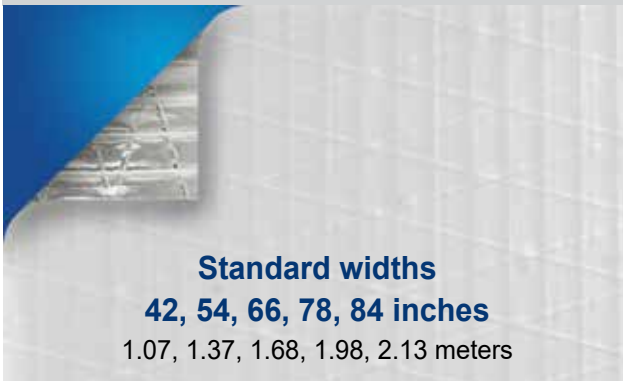
42, 54, 66, 78, 84, 90 inches

1.07, 1.37, 1.68, 1.98, 2.13, 2.29 meters

WMP-VR-R PLUS

Low cost standard duty

Excellent for high humidity environments



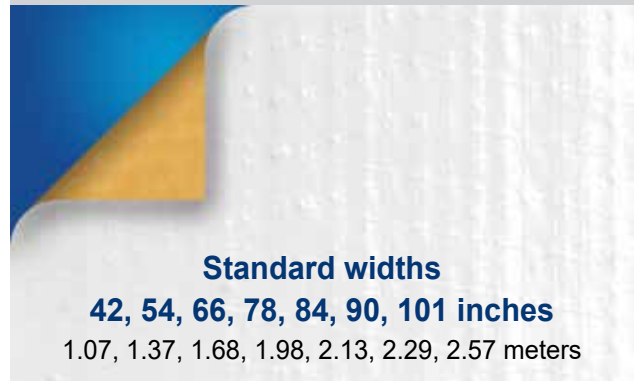
Standard widths

42, 54, 66, 78, 84 inches

1.07, 1.37, 1.68, 1.98, 2.13 meters

WMP-30

Heavy kraft for improved strength



Standard widths

42, 54, 66, 78, 84, 90, 101 inches

1.07, 1.37, 1.68, 1.98, 2.13, 2.29, 2.57 meters

Visit www.lamtec.com.

"LAMTEC" and "WMP" are registered trademarks of LAMTEC Corporation.



LAMTEC[®]
CORPORATION

LAMTEC[®] products are proudly
manufactured in the USA. 

WMP-50

Premium heavy duty with added abuse
resistance



Standard widths

42, 54, 66, 78, 84, 90 inches

1.07, 1.37, 1.68, 1.98, 2.13, 2.29 meters

LOW (0.03) EMISSIVITY FACINGS



ARENASHIELD

Ice arena roofs

Highly abuse resistant

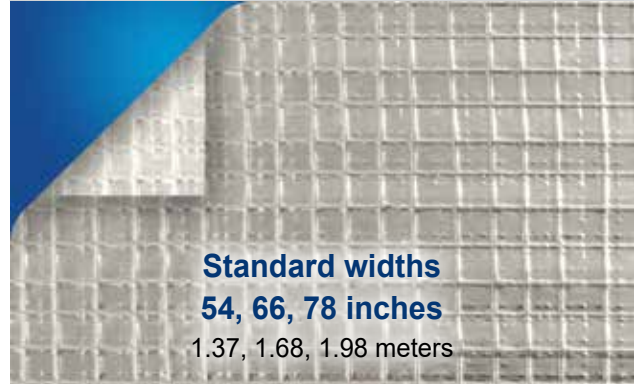


Standard widths
54, 66, 78 inches
1.37, 1.68, 1.98 meters

RADIANT ICE

Ice arena and general purpose

Double-sided foil with tear resistance and higher operating temperature



Standard widths
54, 66, 78 inches
1.37, 1.68, 1.98 meters

R-3035 HD

Agriculture, warehouses and manufacturing facilities

Heavy duty foil/scrim/kraft



Standard widths
42, 54, 66, 78, 84, 90 inches
1.07, 1.37, 1.68, 1.98, 2.13, 2.29 meters

APPLICATIONS

This document is intended as a general product guide only. You should consult with your building design professional before making your product selection.

WMP-VR	WMP-VR-R-PLUS	WMP-10	WMP-30	WMP-50	WMP-UV HD*	GYM GUARD	ARENASHIELD	RADIANT ICE	R-3035 HD	
●	●	●●	●●	●●●	●●●	○	○	●●	●	Agriculture
●	●	●●	●●	●●●	●●●	●●●	○	●●	○	Athletic facility
●	●	●●	●●	●●●	●●●	●●●	○	○○	○	Government/military
○	○	○	○	○	○	○	●●●	●●	●	Ice arena roofs
●	●	●●	●●	●●●	●●●	●●●	○	●●	●	Manufacturing/industrial
●	●	●●	●●	●●●	●●●	●●●	○	●●	●	Religious/community
●	●	●●	●●	●●●	●●●	●●●	○	●●	●	Service/retail
●	●	●●	●●	●●●	●●●	●●●	○	●●	●	Warehouse/distribution

- GOOD
- BETTER
- BEST
- NOT APPLICABLE

*Best for applications with high UV exposure from intense lighting (natural/artificial). Application examples include: aircraft hangars, retail, loading docks, auto shops, etc.



SIDE BY SIDE PRODUCT COMPARISONS

Name/Generic ID	Construction	C	D	E	F	Mullen Burst psi	Beach Puncture	NRC*	Fire Performance					
									UL-723	ASTM E84	CAN ULC-S102M	Factory Mutual	BS 476 Class 0	
A	B													
WMP-VR PSK-LD	White polypropylene film, fiberglass & polyester scrim, 11# natural kraft	0.09	40	30	60	125	.85		✓	✓	✓	✓	✓	
WMP-VR-R PLUS PSP	White polypropylene film, fiberglass scrim, metallized polyester film	0.02	35	35	100	-	.80		✓	✓		✓		
WMP-10 PSK-STD	White polypropylene film, metallization, fiberglass & polyester scrim, 14# white kraft	0.02	40	35	65	125	.85		✓	✓	✓	✓	✓	
WMP-50 PSKP	White polypropylene film, fiberglass & polyester scrim, 30# natural kraft, metallized polyester film	0.02	65	60	120	125	.65		✓	✓	✓	✓	✓	
GYMGUARD Film/Fabric	White polypropylene film, metallization, fiberglass & polyester fabric	0.02	195	150	250	650	.70		✓	✓	✓	✓		
ARENASHIELD Foil/Fabric	Aluminum foil, fiberglass & polyester fabric	0.02	195	150	250	550	.65		✓	✓	✓	✓		
R-3035 HD FSK-HD	Aluminum foil, fiberglass & polyester scrim, 30# natural kraft	0.02	55	35	60	85	.80		✓	✓	✓	✓		
RADIANT ICE FSPF	Aluminum foil, polyester film, fiberglass scrim, aluminum foil	0.02	55	55	85	-	-			✓				
WMP-30 PSK-HD	White polypropylene film, metallization, fiberglass & polyester scrim, 30# natural kraft	0.02	55	40	70	105	.75		✓	✓	✓	✓		
WMP-UV HD PSKP-UV	White coating, white polypropylene film, fiberglass & polyester scrim, 30# natural kraft, metallized polyester film	0.02	65	60	120	125	-			✓				

*As tested with 3" fiberglass blanket.



HSLQ™

Heavy Shear Transfer Angle

The HSLQ heavy shear transfer angle is designed to transfer lateral loads from wood solid sawn joists or blocking into a wood solid sawn element such as a moment frame nailer. The angle offers versatility by allowing up to a 2" gap between the structural members and easy installation with Strong-Drive® SDS Heavy-Duty Connector screws that are included with the HSLQ. The HSLQ is manufactured with a gap indication notch to make proper installation easy.

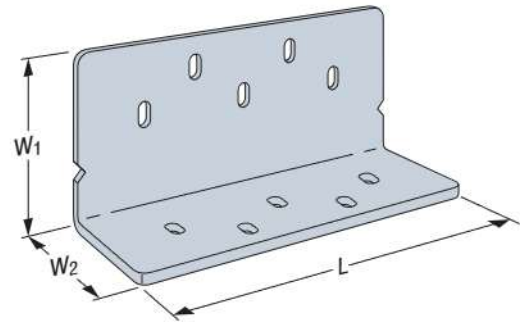
Material: 12 gauge

Finish: Galvanized, available in HDG

Installation:

- Use all specified fasteners: see General Notes.
- Use long leg with notch indicator. (Notch indicates maximum allowed gap.)
- Minimum 4x8 wood members are required.
- Add filler shims where required in order not to load the angle in any direction other than lateral, as indicated.

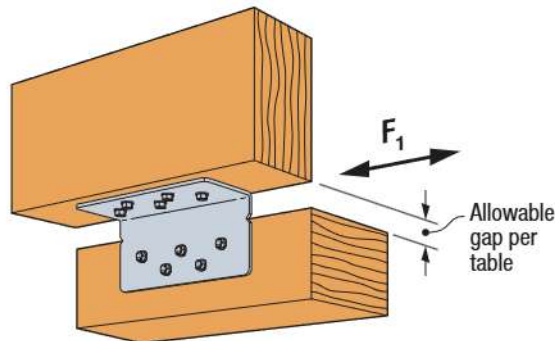
Codes: See p. 12 for Code Reference Key Chart



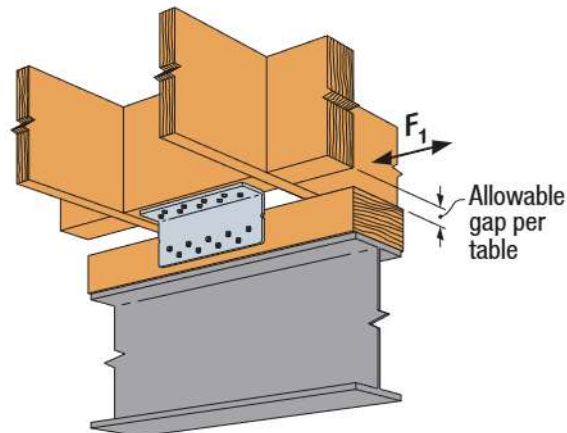
HSLQ37
(HSLQ312, HSLQ47, HSLQ412 similar)

Model No.	Allowable Gap	Dimension (in.)			Fasteners ¼" x 2½" SDS	DF/SP Allowable Loads (100/115/125/160)		Code Ref.
		W ₁	W ₂	L		Lateral (F _t)	Lateral (F _t)	
HSLQ37-SDS2.5	0" – 1"	3¼	2¾	7¼	10	1,340	1,150	—
HSLQ312-SDS2.5	0" – 1"	3¼		11¾	18	2,900	2,495	
HSLQ47-SDS2.5	1" – 2"	4¼		7¼	10	1,015	870	
HSLQ412-SDS2.5	1" – 2"	4¼		11¾	18	2,290	1,970	

1. Tables loads are for one angle.
2. Loads are applicable to installation on either the narrow or the wide face of the member.
3. Minimum 4x8 wood members are required.
4. HSLQ is used for in-plane lateral load transfer only. Designer to provide for frame out-of-plane stability as required.
5. **Fasteners:** SDS screws are Simpson Strong-Tie Strong-Drive SDS Heavy-Duty Connector screws. See pp. 25–26 for fastener information.



Typical HSLQ37 Installation



Typical HSLQ412 Installation

RCKW™

Kneewall Connectors



This product is preferable to similar connectors because of (a) easier installation, (b) higher loads, (c) lower installed cost, or a combination of these features.

The Simpson Strong-Tie RCKW rigid connectors have been developed to resist overturning moment at the base of exterior kneewalls and parapets as well as interior partial-height walls. The RCKWS is a heavy 7-gauge stiffener that nests onto the RCKW clip. The screw holes and anchor holes in the stiffener line up with those in the RCKW clip, making fastener and anchor installation a snap. The RCKW clip and RCKWS stiffener are sold separately.

Features:

- Anchorage legs incorporate stiffened flanges, improving overturning moment resistance
- Large-diameter anchor hole accommodates 1/2" -diameter concrete screws and wedge anchors, such as the Titen HD® heavy-duty screw anchor and the Strong-Bolt® 2 wedge anchor
- For the RCKWS: 7-gauge stiffeners are secured to the RCKW clip with screws, optimizing overturning moment resistance and stiffness

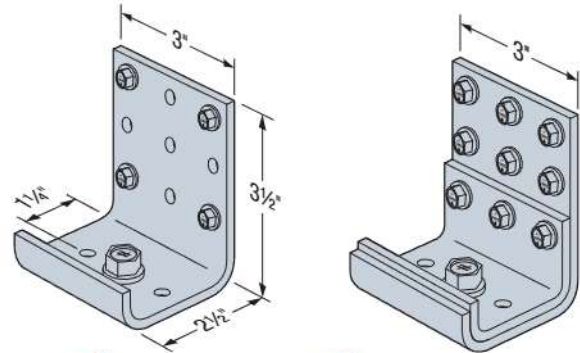
Material: RCKW and RCKWS — 7 gauge

Coating: Galvanized

Installation:

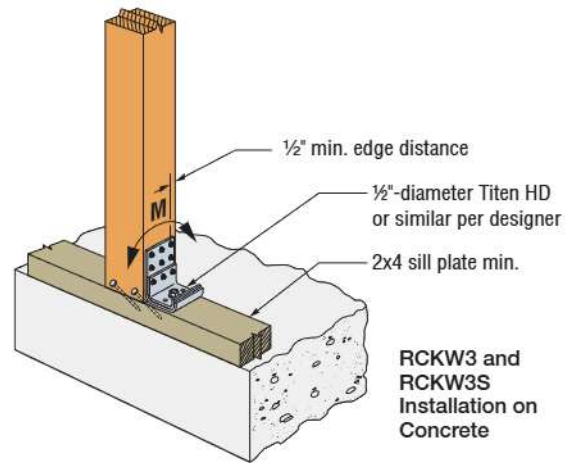
- Use all specified screw fasteners.
- When using the RCKWS, secure the stiffener to the clip with the specified screw fasteners.
- Use all specified anchors. To achieve tabulated stiffness values, the installation torque for 1/2"-diameter anchors shall be at least 17 ft.-lb.
- For installation of the RCKW with 2x6 wood framing members, reference Simpson Strong-Tie engineering letter L-C-RCKW2X6WD at strongtie.com.

Codes: See p. 12 for Code Reference Key Chart



RCKW3
Screw Pattern No. 1
US Patent, see strongtie.com/patents

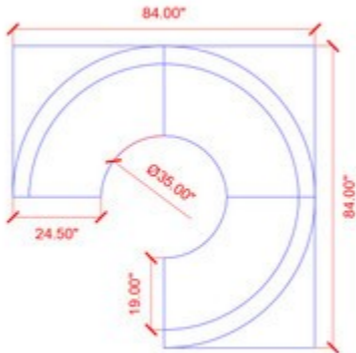
RCKW3 and RCKW3S
Screw Pattern No. 2



RCKW Allowable Loads for Wood Framing

Model No.	Screw Pattern No.	Fastener(s) to Post and Concrete	Nominal Post Size	Allowable Moment, M DF/SP (in.-lb.)	Anchor Tension, T, at Allow Moment, M (lb.)	Assembly Rotational Stiffness β (in.-lb./rad.)	Connector Rotational Stiffness β_c (in.-lb./rad.)
RCKW3	1	(4) #10 x 2 1/2" SD (1) 1/2" Ø Anchor	(2) 2x4 or 4x4	2,165	1,695	102,800	111,300
RCKW3 RCKW3S	2	(9) #10 x 2 1/2" SD (1) 1/2" Ø Anchor	(2) 2x4 or 4x4	3,725	3,635		

1. Designer is responsible for anchorage and framing member design.
2. Tabulated values are based on wood post connected to sill plate in accordance with the fastening schedule IBC Section 2304.
3. Multiply allowable moment and stiffness with an adjustment factor of 0.86 when attaching RCKW connector to SPF/HF wood post.
4. Anchor Tension, T, is the force in the anchor at allowable moment and is based on minimum concrete compressive strength, f'_c of 2,500 psi.
5. Tabulated Allowable Moment values correspond to connector strength without consideration of serviceability. Designer must check out-of-plane deflections using tabulated rotational stiffness values.
6. Tabulated Assembly Rotational Stiffness is applicable for studs up to 38" tall and includes connector deflection, fastener slip and bending in the stud. For framing members greater than 38" tall, the designer must consider member deflection due to bending in the stud member in addition to the tabulated Connector Rotational Stiffness. See flier F-CF-RCKW at strongtie.com for calculation example.
7. Tabulated rotational stiffness values may be increased by dividing by a factor of 0.42 for deflection checks using component and cladding wind loads in lieu of reducing loads in accordance with 2012, 2015, 2018, 2021 and 2024 IBC Table 1604.3.
8. Built-up post (multiple members) must be fastened together to act as one unit to resist the applied load (excluding the connector fasteners). This must be determined by the designer.
9. Anchor bolt nut should be finger tight plus 1/8 to 1/2 turn with a hand wrench, with consideration given to possible wood shrinkage. Moisture content of wood sill plate shall not exceed 19% at time of installation.
10. **Fasteners:** SD screws are Simpson Strong-Tie Strong-Drive® SD Connector screws. See pp. 25–26 for fastener information.





SKU: STYLE-S-DIAMOND-HALF-CIRCLE



PRODUCT SPECIFICATIONS

The Style-S Diamond Tufted Half-Circle Booth makes a luxurious statement with its detailed upholstery and bold radius silhouette. The deep diamond tufting adds dimension and plush sophistication, while the curved half-circle design redefines the entire atmosphere of the room. Perfect for upscale venues, lounges, or boutique restaurants, this booth commands attention as a stunning central feature. Its circular seating invites intimacy and style, while eliminating hard table edges and awkward entry points. Built with 4" black legs and 350 lb. per seat weight capacity, it's handcrafted in the USA for clients who want show-stopping elegance and premium performance.

Upholstered banquette seating with deep soft cushioned padding for the most comfort and support. Frame is made from solid wood. Cushions are made of high density CAL 117 certified foam. Super high-performance commercial grade vinyl featuring 500,000 double rubs, California and Boston fire codes certifications. Common applications in hospitality, healthcare, contract, education, marine and automotive industries. Premium walnut laminate wraps around the base to create a beautiful and luxurious look. Laminate features stain, scratch and impact resistance. Our laminates are available in many finishes to match any decor.

Length 84" x 42"
 Width 25"
 Height 36"
 Seating Depth 19"
 Seating Height 18.5"

