



ARCHITECT

CONSULTANT

CONSULTANT



ENLARGED PLAN DETAILS
New Facility
Newton County Enrichment Center
Richard Chapel Road
Covington, Georgia

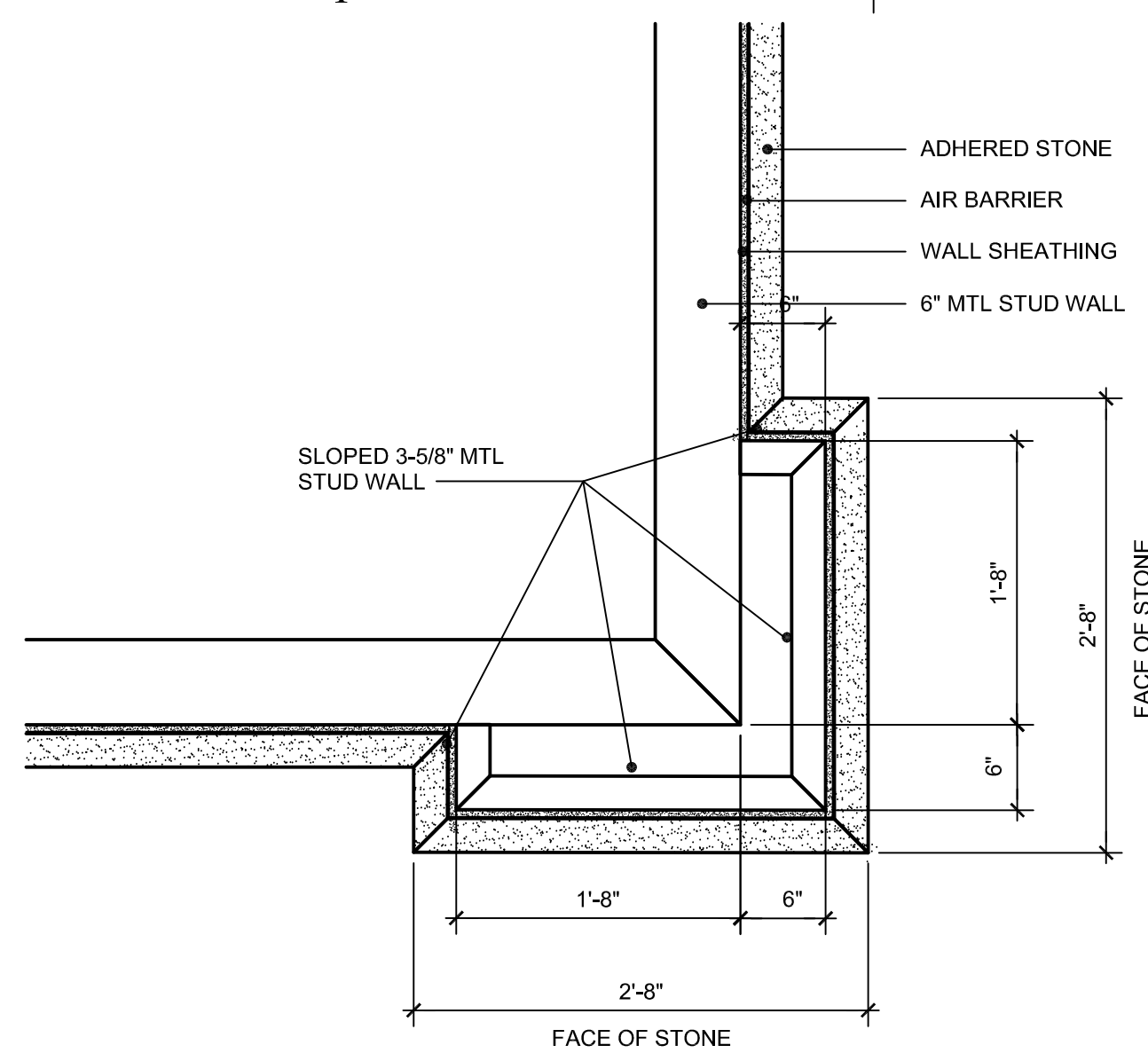
JOB NO.:	02309
DRAWN BY:	GM
CHECKED BY:	GM
DESCRIPTION:	SCH-REVIEW
DATE:	02.12.24
DESCRIPTION:	DD-REVIEW
DATE:	03.11.24
DESCRIPTION:	CD-REVIEW
DATE:	03.25.24
DESCRIPTION:	BID-CONSTRUCTION
DATE:	04.04.24
REVISIONS:	
1	00.00.24
2	
3	
4	
5	
6	
7	

THESE DRAWINGS ARE THE PROPERTY OF GM ARCHITECT AND ARE NOT TO BE REPRODUCED OR REUSED WITHOUT PERMISSION AND CREDIT.
COPYRIGHT © 2024

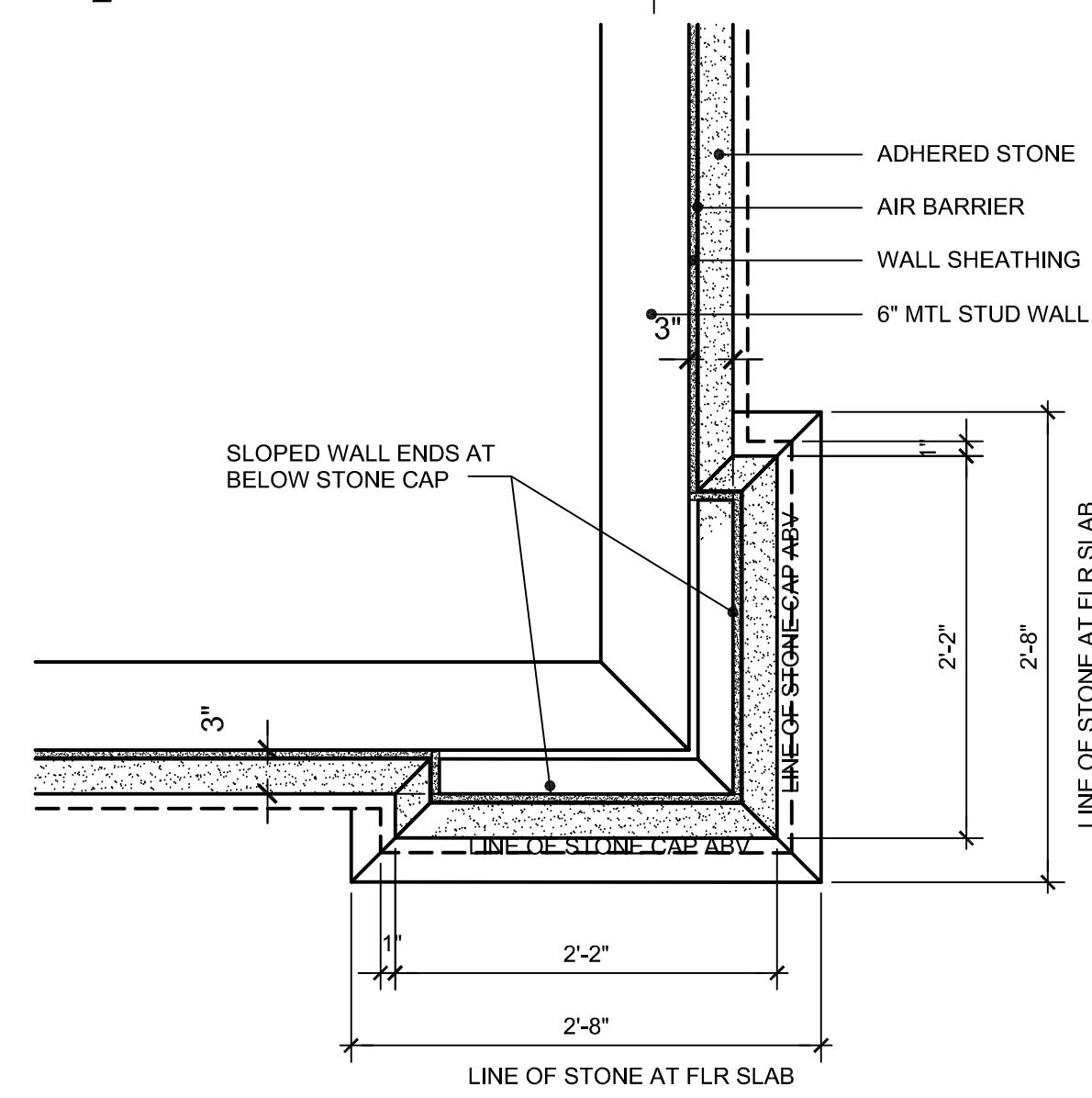
SHEET

A5.1

OF



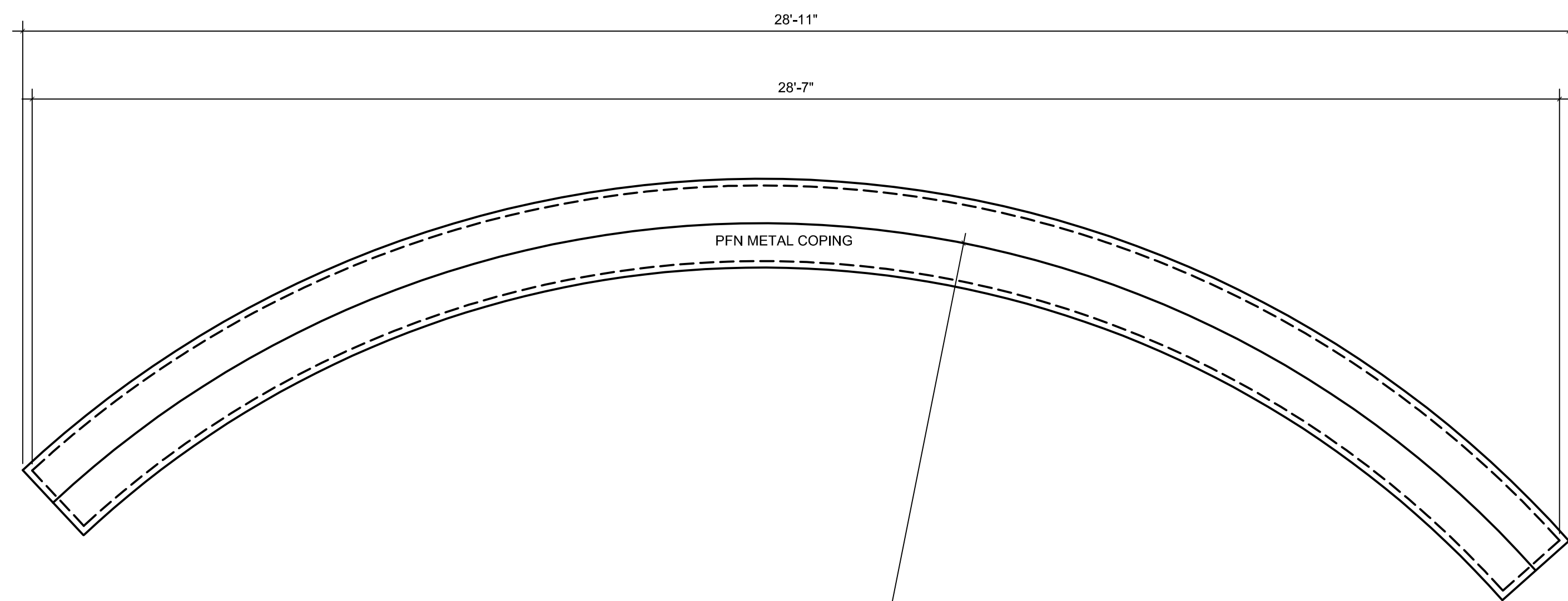
PILASTER AT FLOOR SLAB



PILASTER: BOTTOM OF STONE CAP

B1 DETAIL: TYP CORNER PILASTER

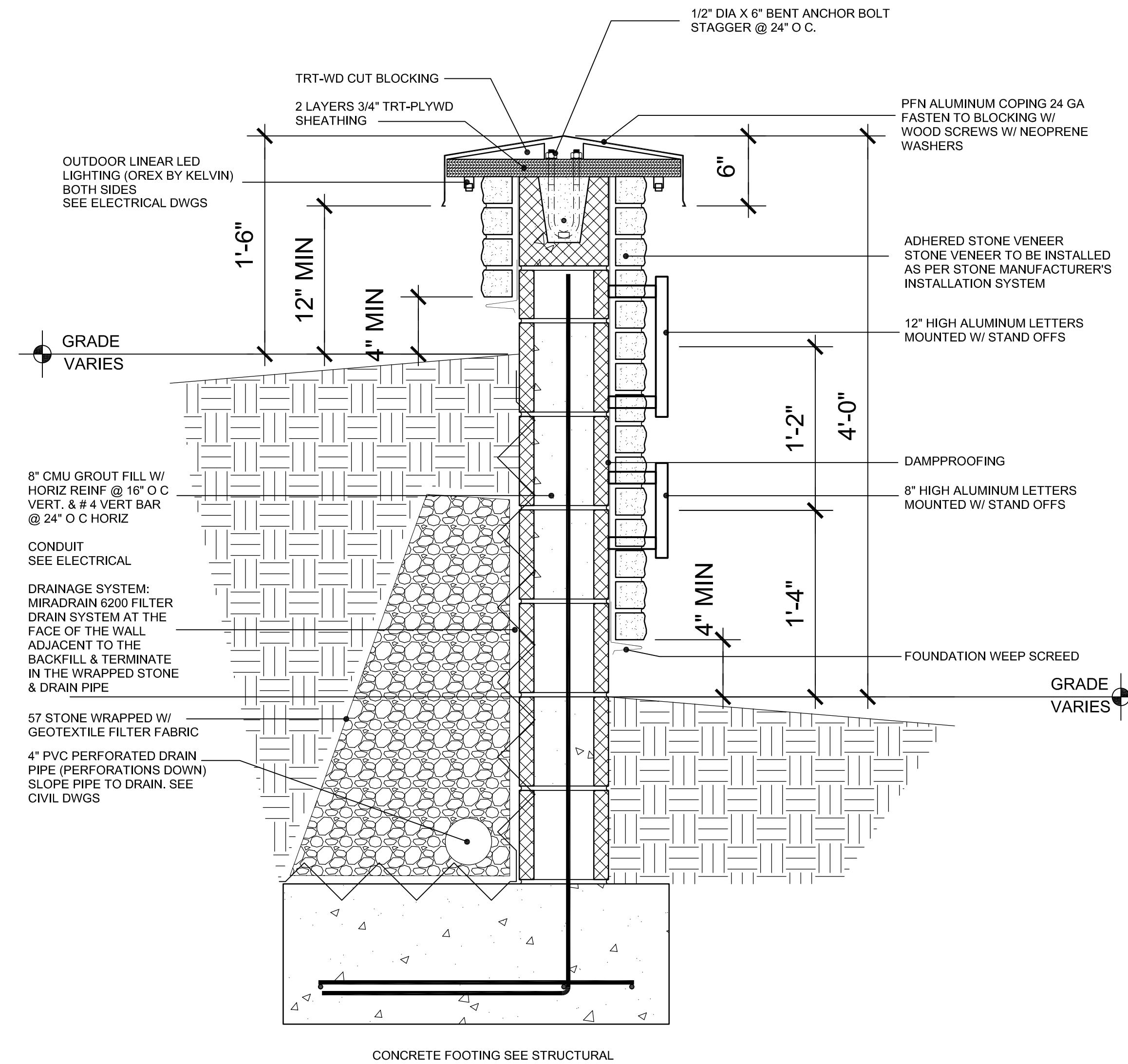
A5.1 SCALE: 1" = 1'-0"



SENIOR ENRICHMENT CENTER

~~**DENNY DOBBS PARK**~~

NEWTON COUNTY



CONCRETE FOOTING SEE STRUCTURAL

D1 ENTRY SIGN: PLAN & ELEVATION

A5.1 SCALE: 1/2" = 1'-0"

D4 ENTRY SIGN: SECTION

A5.1 SCALE: 1 1/2" = 1'-0"