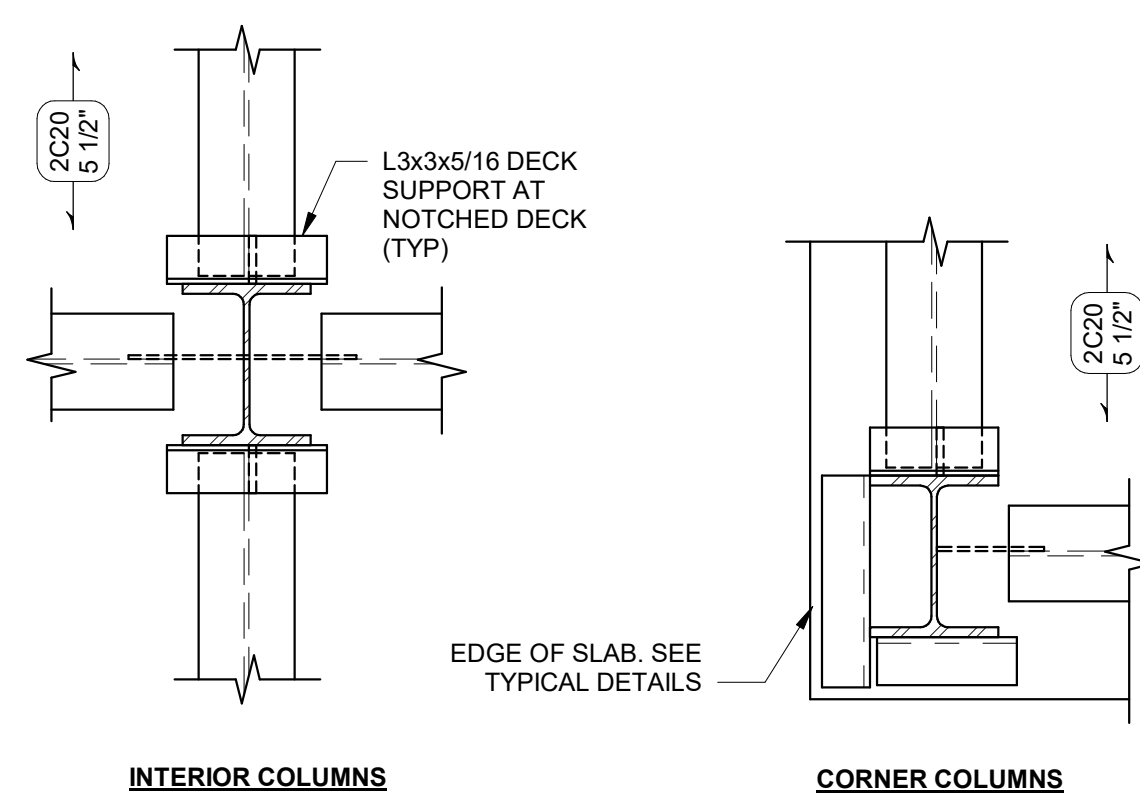
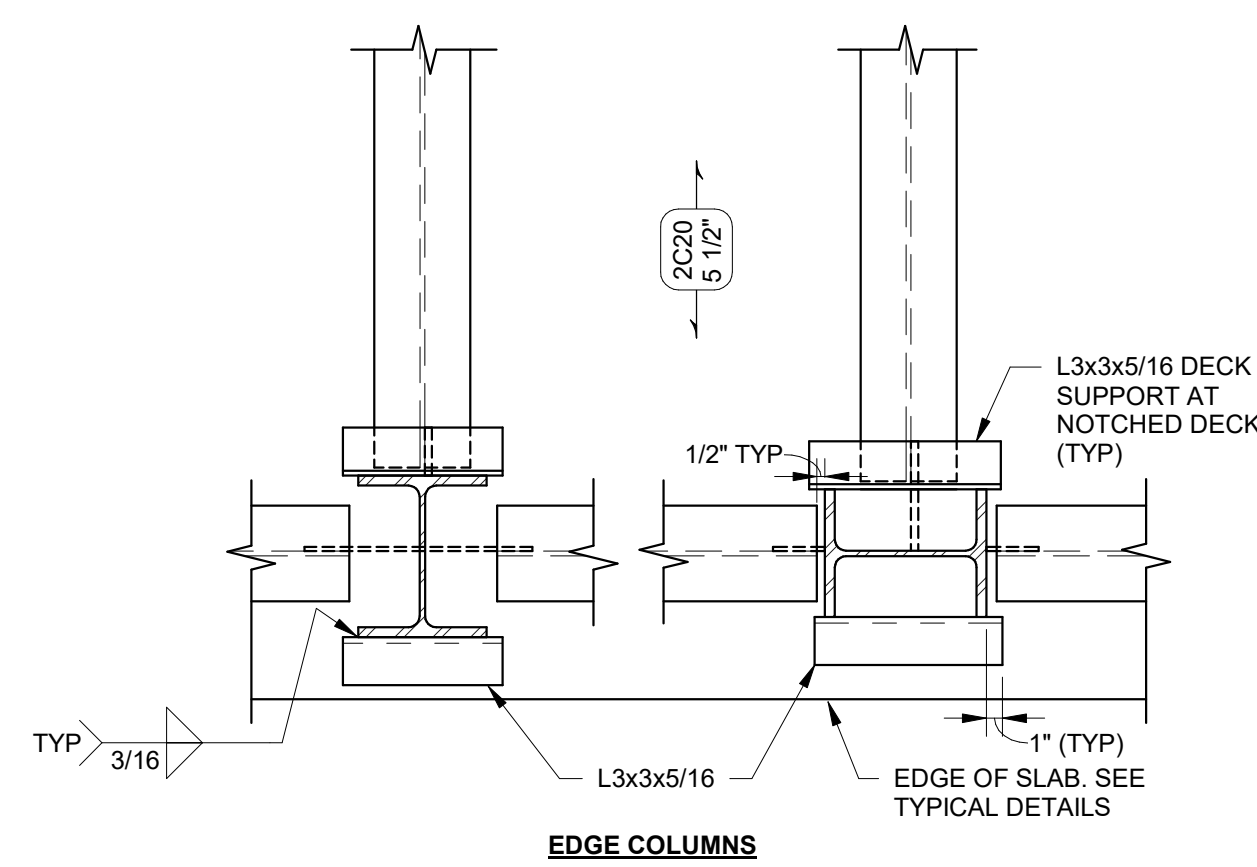


Plot Date: 4/27/2025 6:48:16 PM Path: Autodeskt Doss://NCWSA Admin Bldg_12502506863-NCWSA Office Addition-R25-STRUCT.rvt

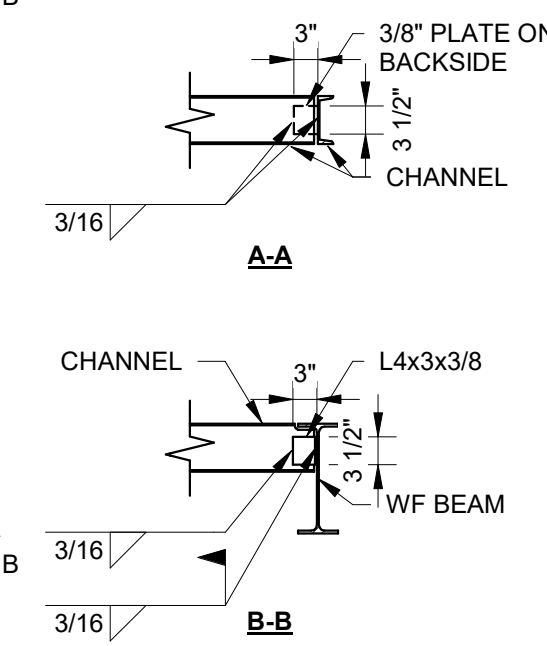
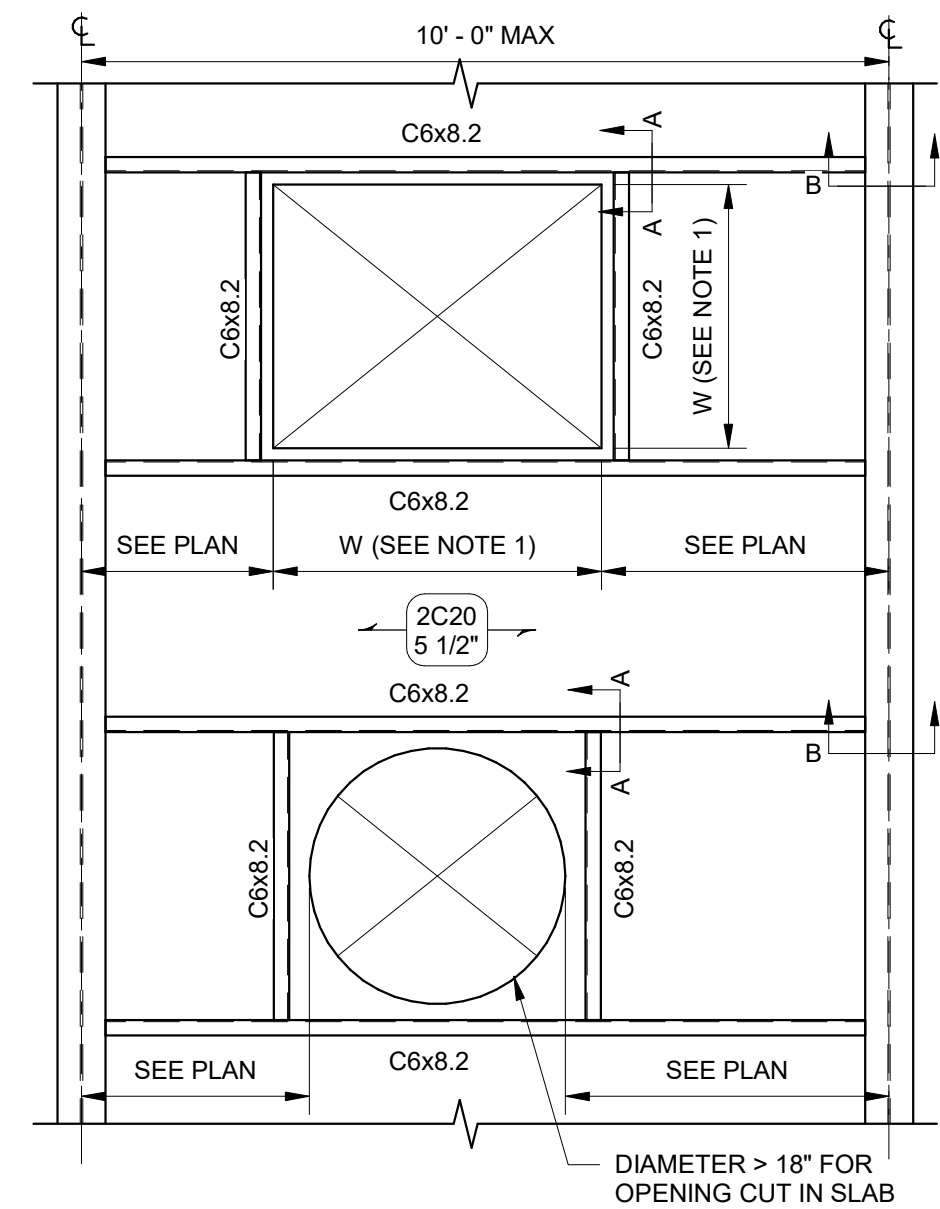


NOTES:
1. DETAILS APPLY AT WIDE FLANGE AND HSS COLUMNS
2. ATTACH DECK TO SUPPORT ANGLES (TYP)

DECK SUPPORT ANGLE AT COLUMN - PLAN

SCALE: 1" = 1'-0"

1
S512

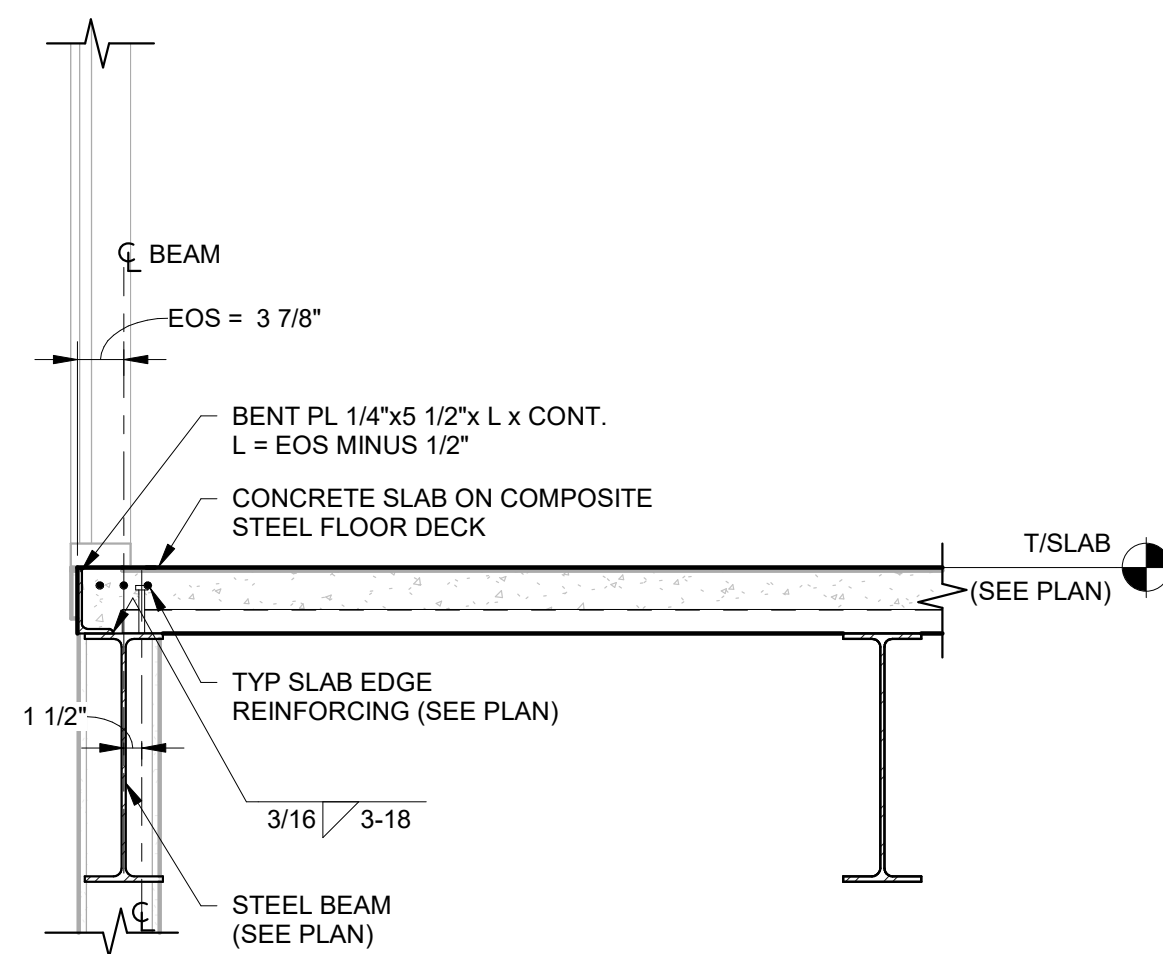


NOTES:
1. FOR OPENINGS FRAMED PRIOR TO CONCRETE POUR: 4' - 0" < W ≤ 6' - 0"
FOR OPENINGS CUT IN SLAB: 1' - 6" < W ≤ 6' - 0"

TYPICAL FRAMED OPENING IN COMPOSITE SLAB - PLAN

SCALE: 1/2" = 1'-0"

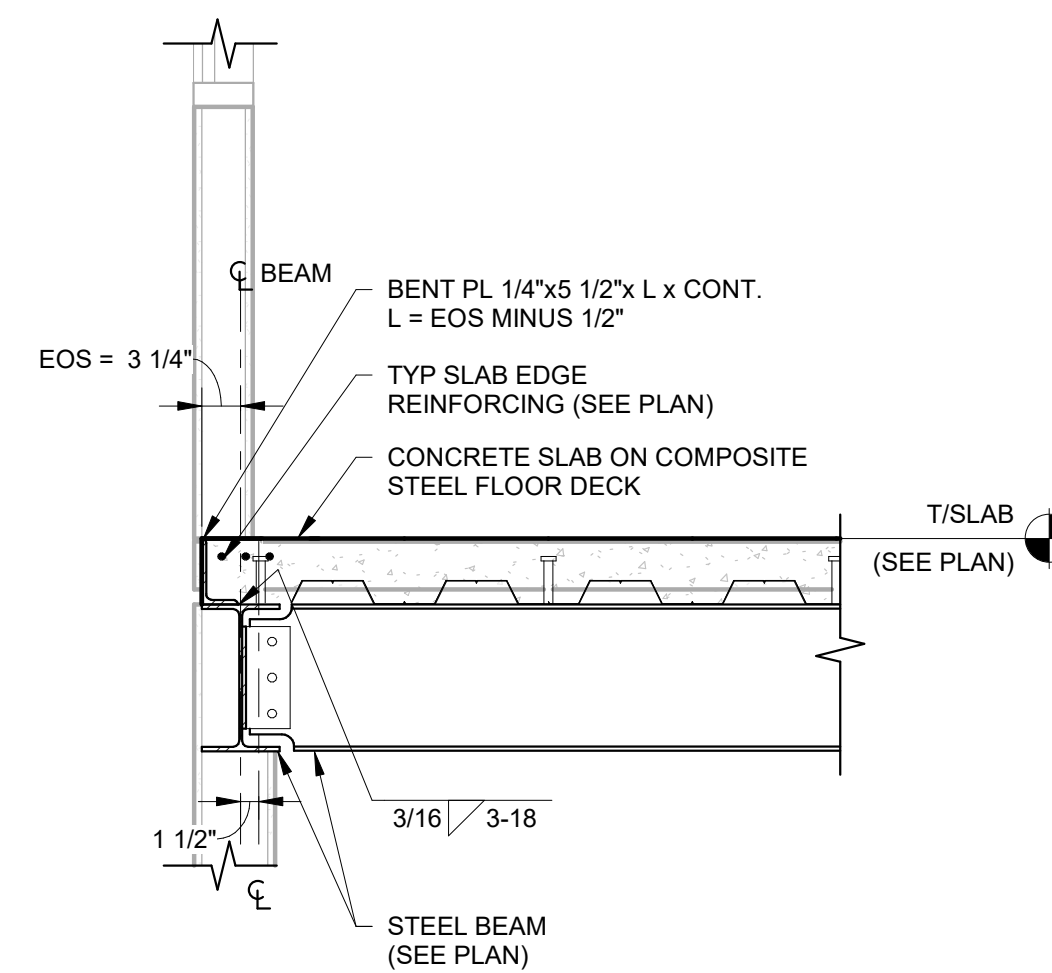
2
S512



COMPOSITE STEEL FRAMING AT INTERIOR SLAB EDGE - SECTION

SCALE: 3/4" = 1'-0"

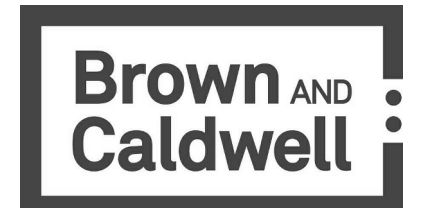
3
S512



COMPOSITE STEEL FRAMING AT INTERIOR SLAB EDGE - SECTION

SCALE: 3/4" = 1'-0"

4
S512



BROWN AND CALDWELL
900 HAMMOND DRIVE, SUITE 500
ATLANTA, GA 30328



THIS DRAWING IS NOT VALID FOR CONSTRUCTION PURPOSES UNLESS IT BEARS THE SEAL AND SIGNATURE OF A DULY REGISTERED PROFESSIONAL

CONSTRUCTION DOCUMENTS



NCWSA OFFICE ADDITION

REVISIONS

REV	DATE	DESCRIPTION

LINE IS 2 INCHES AT FULL SIZE

DESIGNED: Designer
DRAWN: Author
CHECKED: Checker
CHECKED:
APPROVED: Approver
FILENAME

BC PROJECT NUMBER
616202
CLIENT PROJECT NUMBER

COMPOSITE STEEL FRAMING DETAILS

DRAWING NUMBER
S512