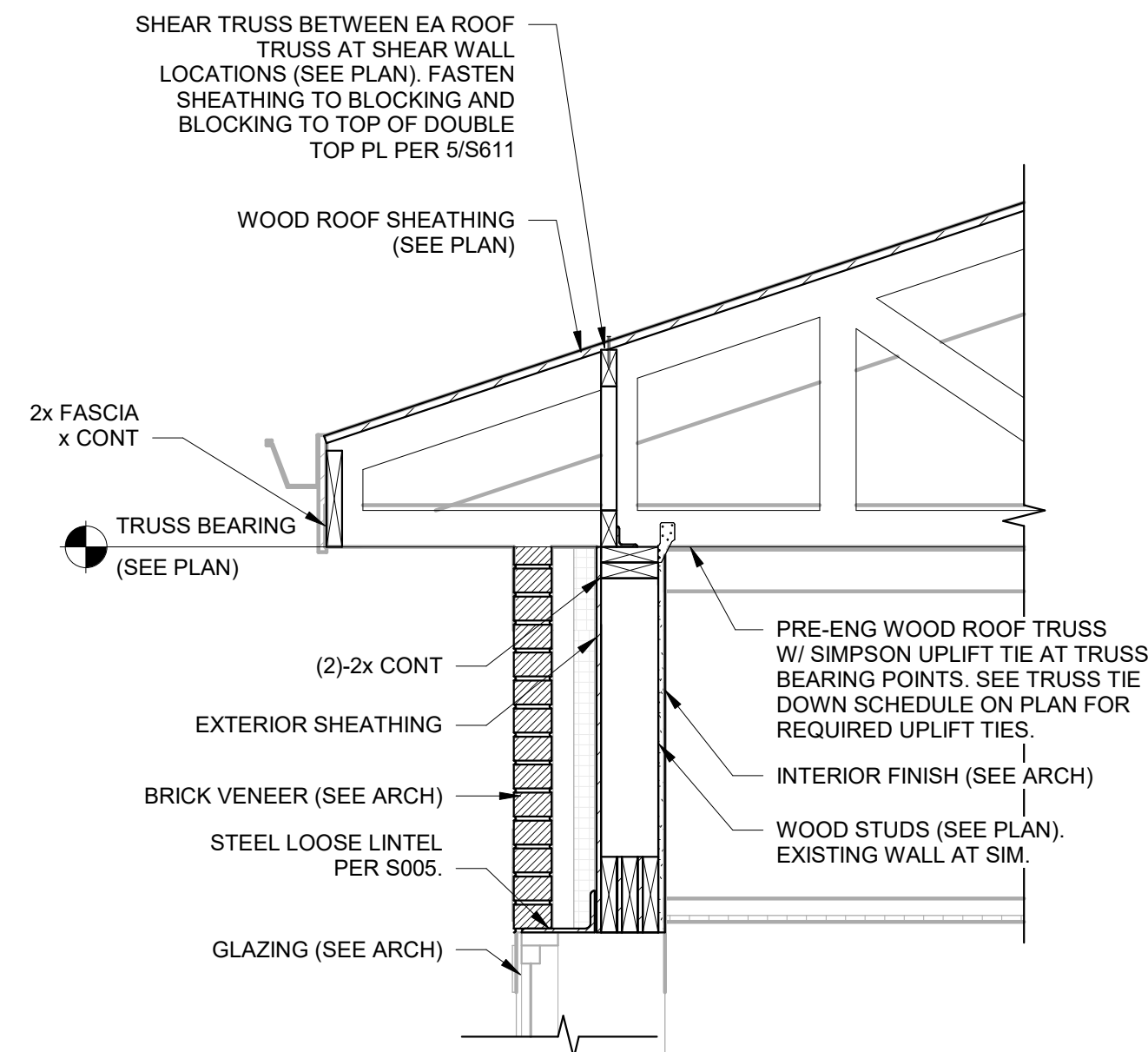


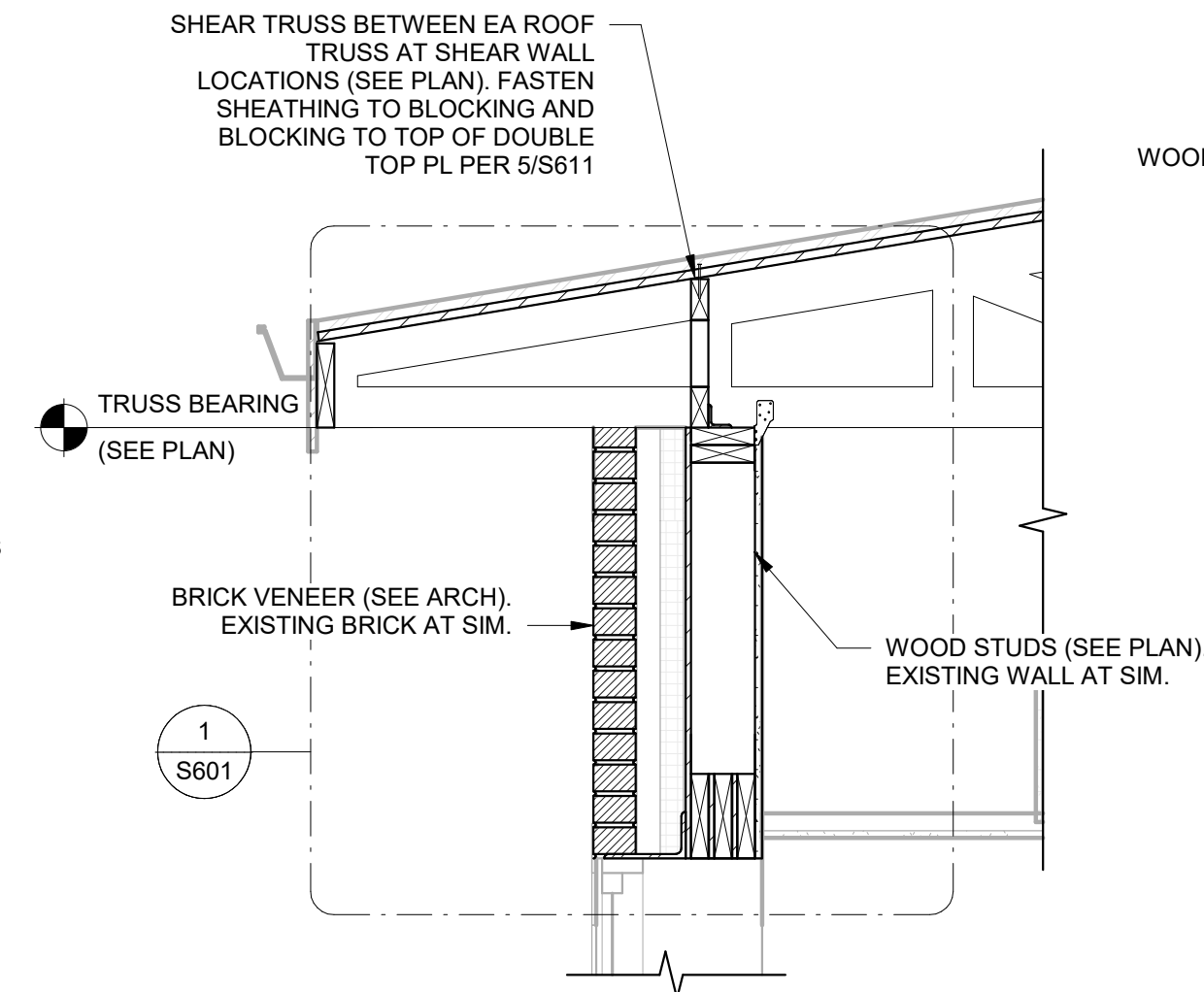
Plot Date: 4/27/2025 6:48:35 PM
 Path: Autodeskt Desk/NCWSA Admin Bldg_V25/02506863-NCWSA Office Addition-R25-STRUCT.rvt



WOOD ROOF FRAMING AT EXTERIOR WALL - SECTION

SCALE: 3/4" = 1'-0"

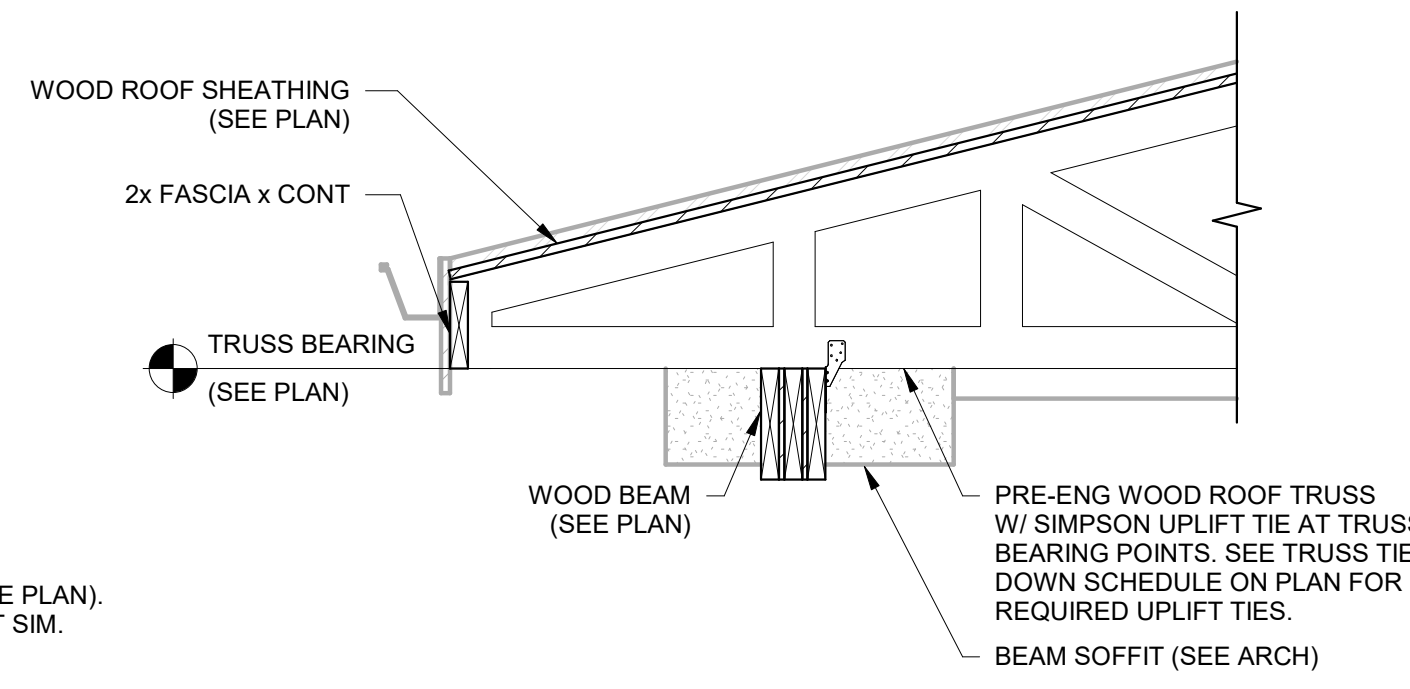
1
S601



WOOD ROOF FRAMING AT EXTERIOR WALL - SECTION

SCALE: 3/4" = 1'-0"

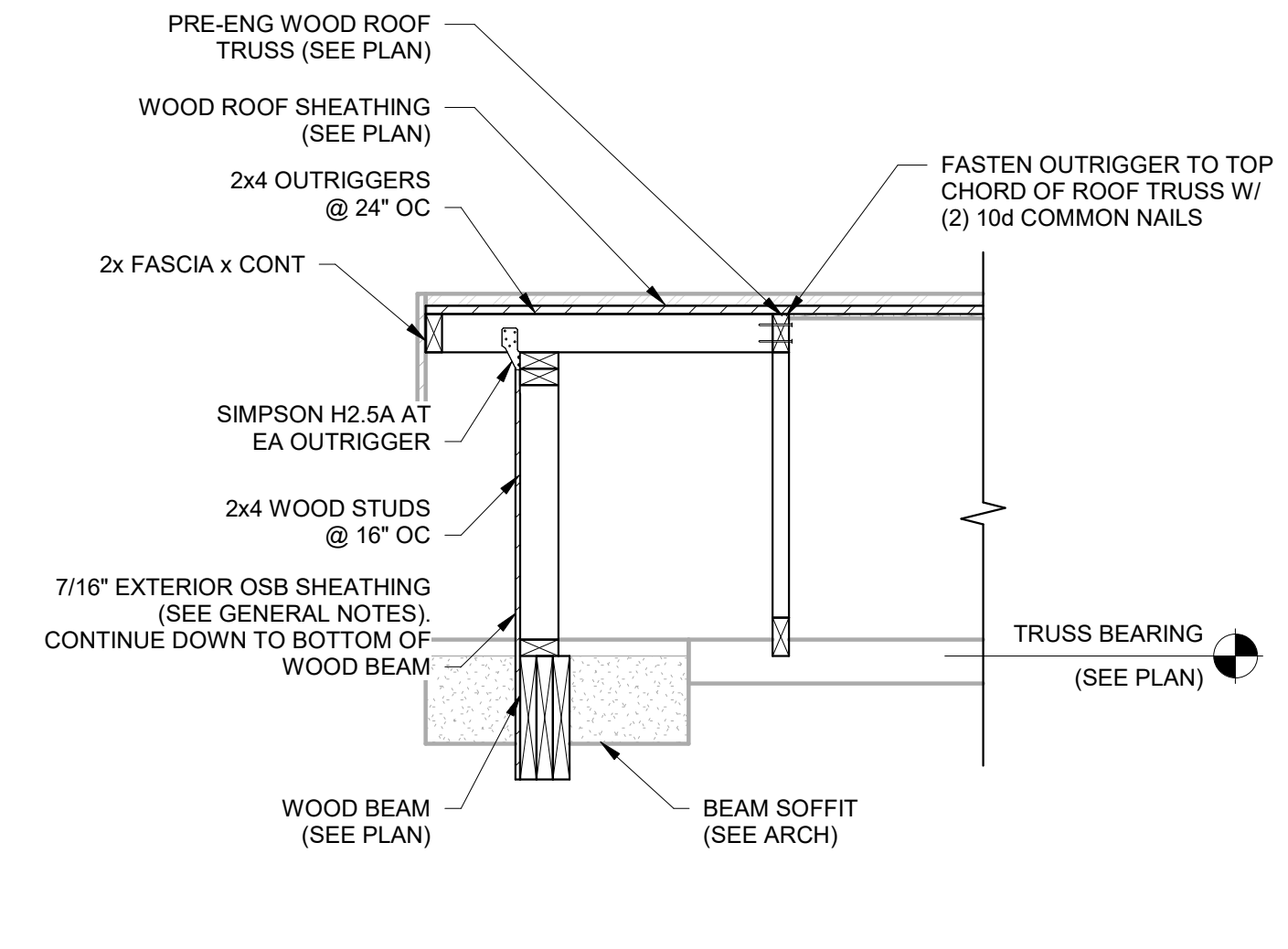
2
S601



WOOD ROOF FRAMING AT WOOD BEAM - SECTION

SCALE: 3/4" = 1'-0"

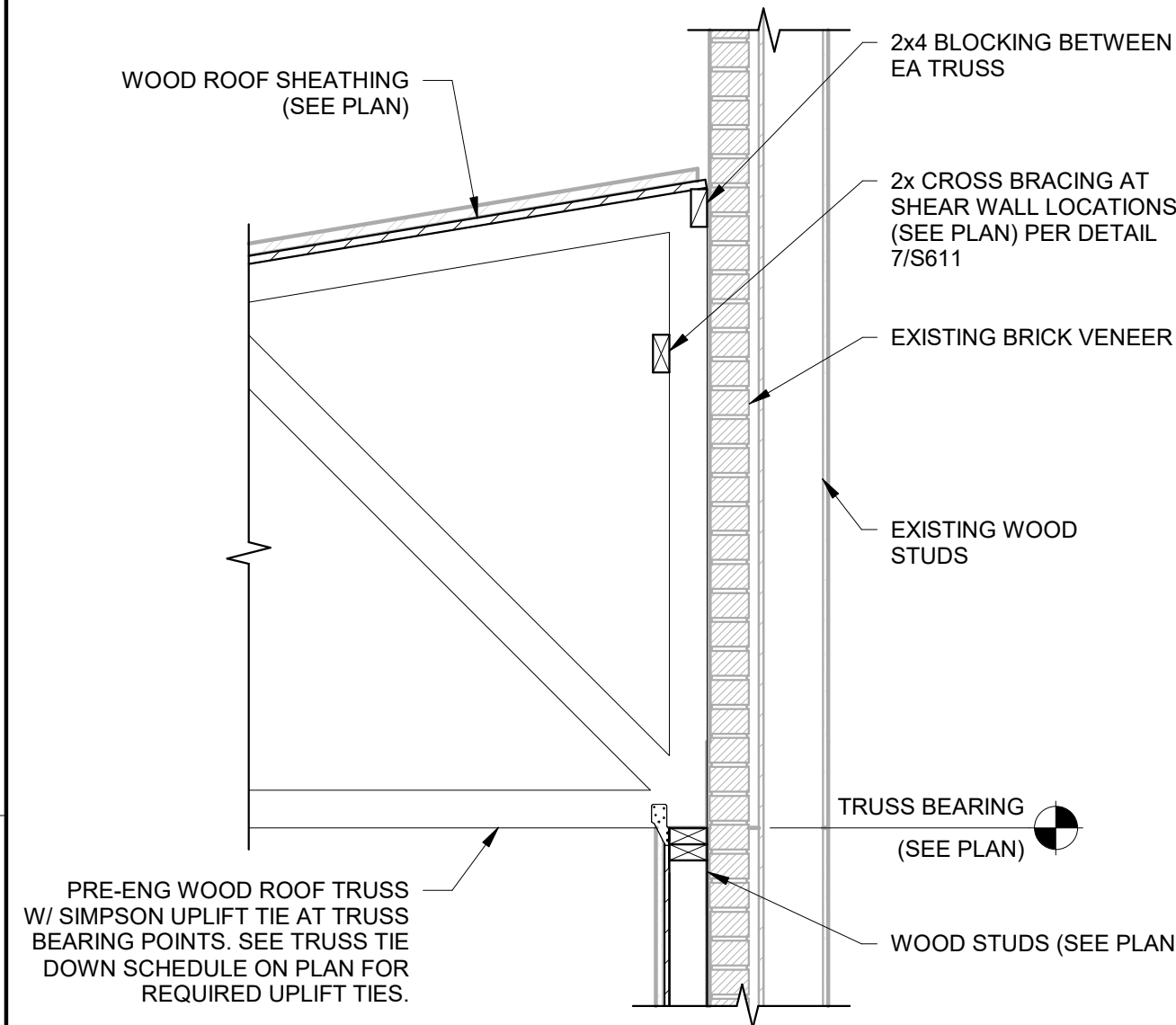
3
S601



WOOD ROOF GABLE END AT WOOD BEAM - SECTION

SCALE: 3/4" = 1'-0"

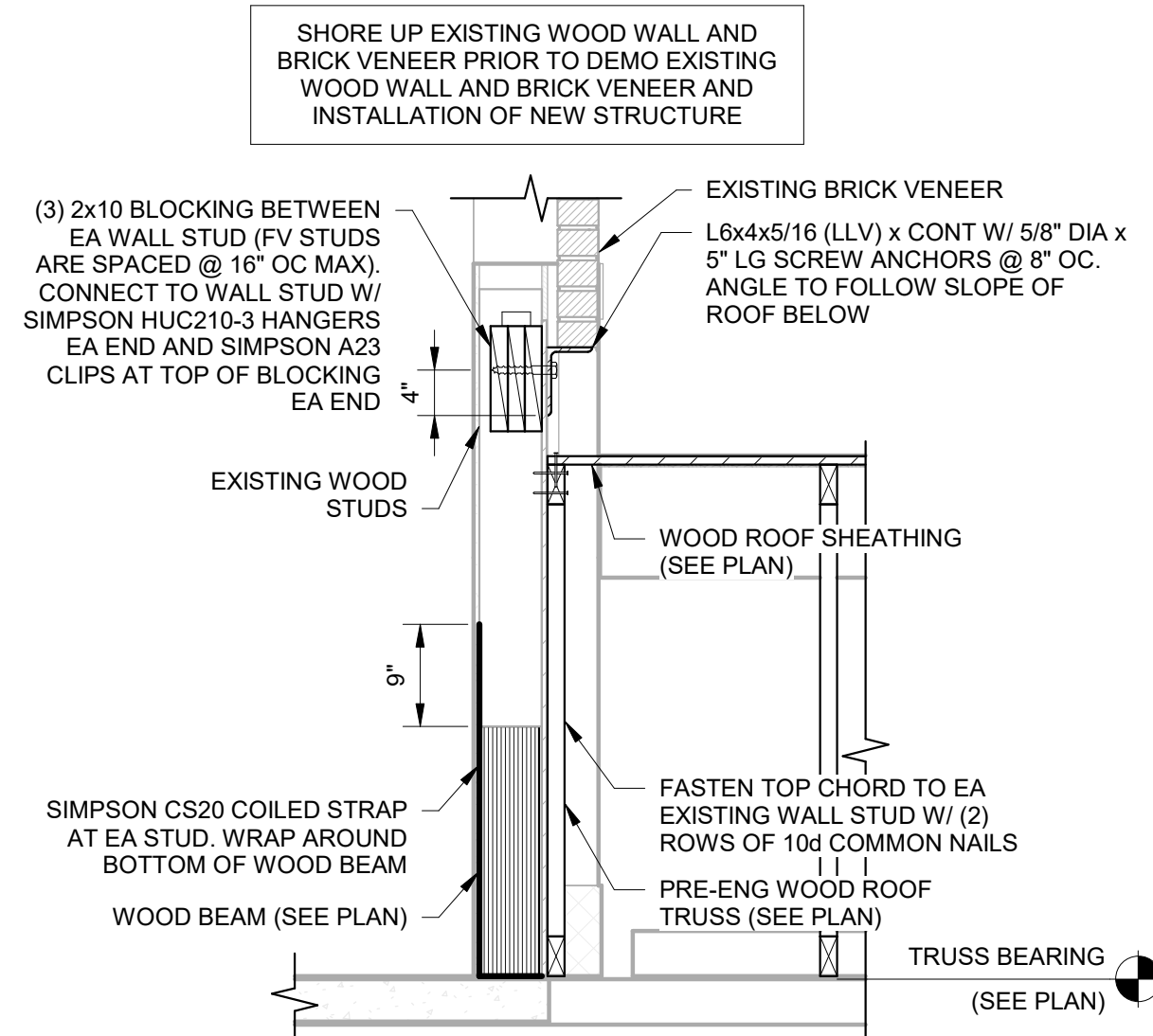
4
S601



WOOD ROOF FRAMING AT EXISTING WOOD WALL - SECTION

SCALE: 3/4" = 1'-0"

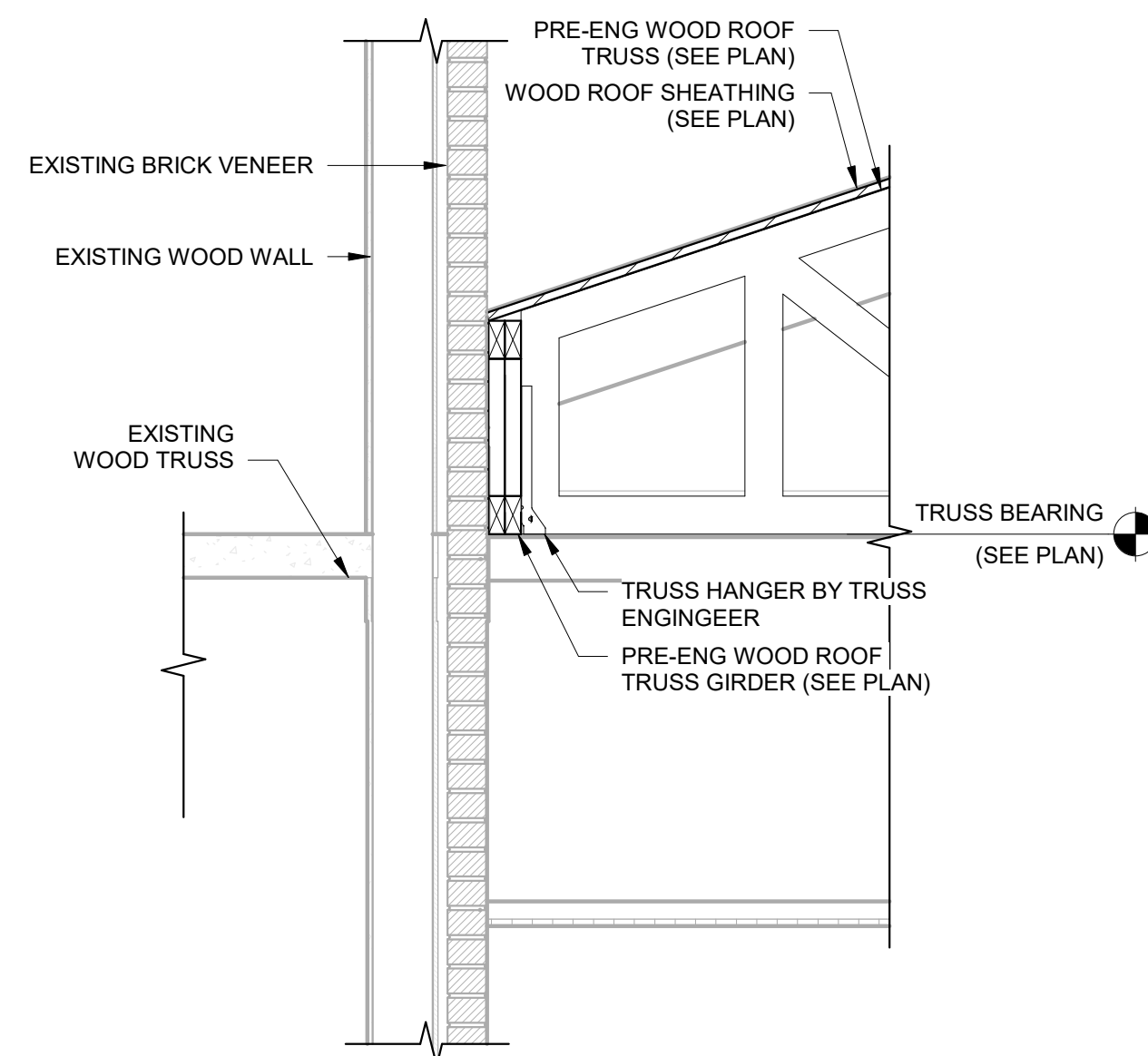
5
S601



WOOD BEAM SUPPORTING EXISTING WOOD WALL WITH BRICK - SECTION

SCALE: 3/4" = 1'-0"

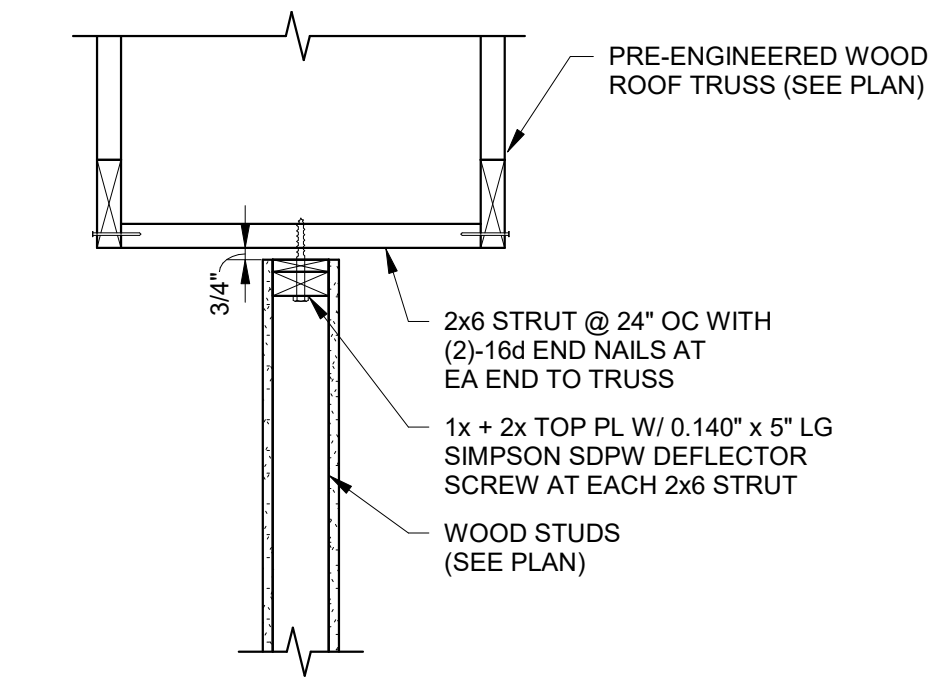
6
S601



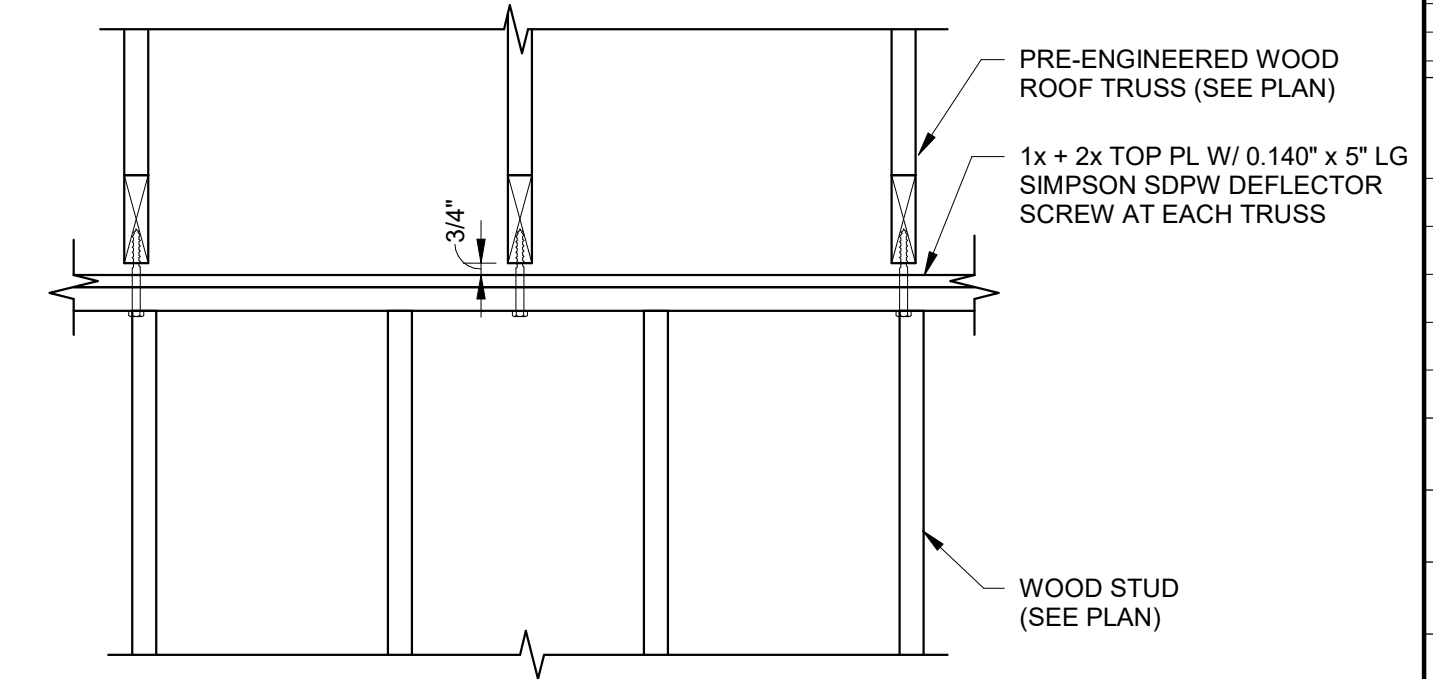
TRUSS GIRDER SUPPORT AT EXISTING WOOD WALL - SECTION

SCALE: 3/4" = 1'-0"

7
S601



WALL PARALLEL TO TRUSSES



TYPICAL ROOF TRUSS TO INTERIOR NON-LOAD BEARING WALL CONNECTIONS - SECTION

SCALE: 1" = 1'-0"

8
S601



BROWN AND CALDWELL
 900 HAMMOND DRIVE, SUITE 500
 ATLANTA, GA 30328



CONSTRUCTION DOCUMENTS



NCWSA OFFICE ADDITION

REVISIONS		
REV	DATE	DESCRIPTION

DESIGNED: Designer
 DRAWN: Author
 CHECKED: Checker
 CHECKED:
 APPROVED: Approver
 FILENAME
 BC PROJECT NUMBER
 616202
 CLIENT PROJECT NUMBER

WOOD ROOF FRAMING DETAILS

DRAWING NUMBER
S601