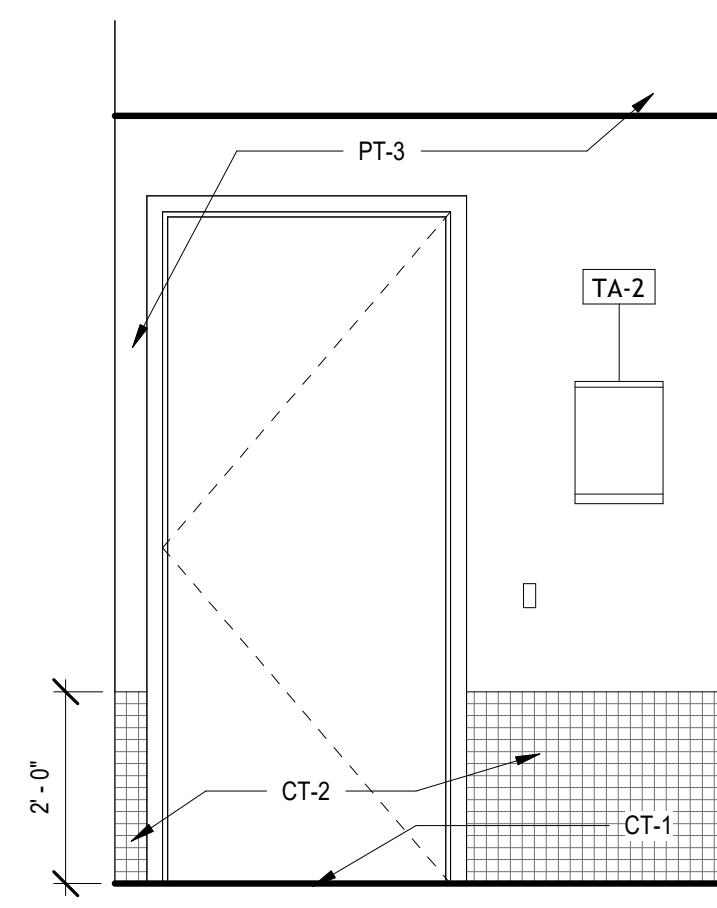
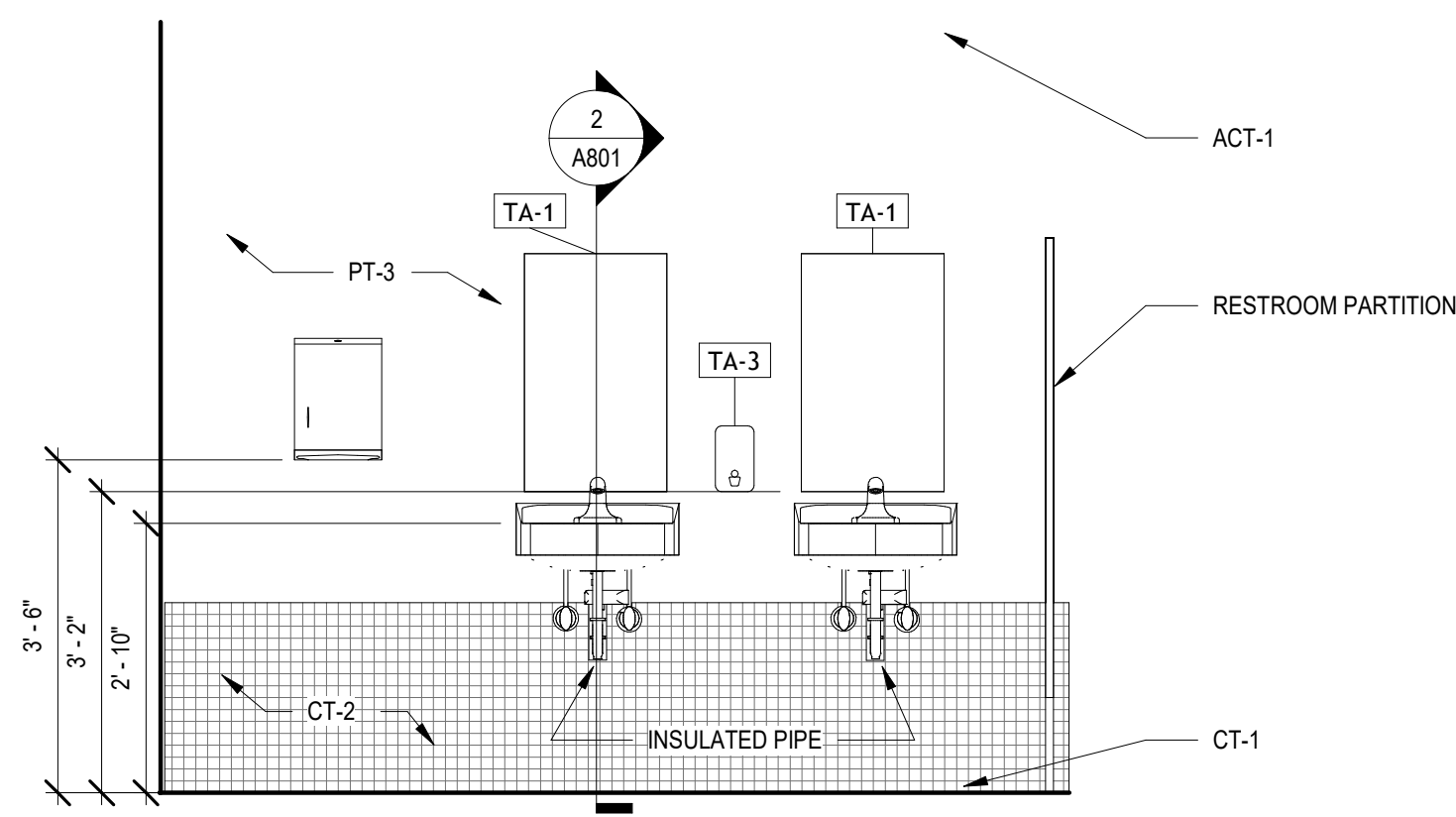


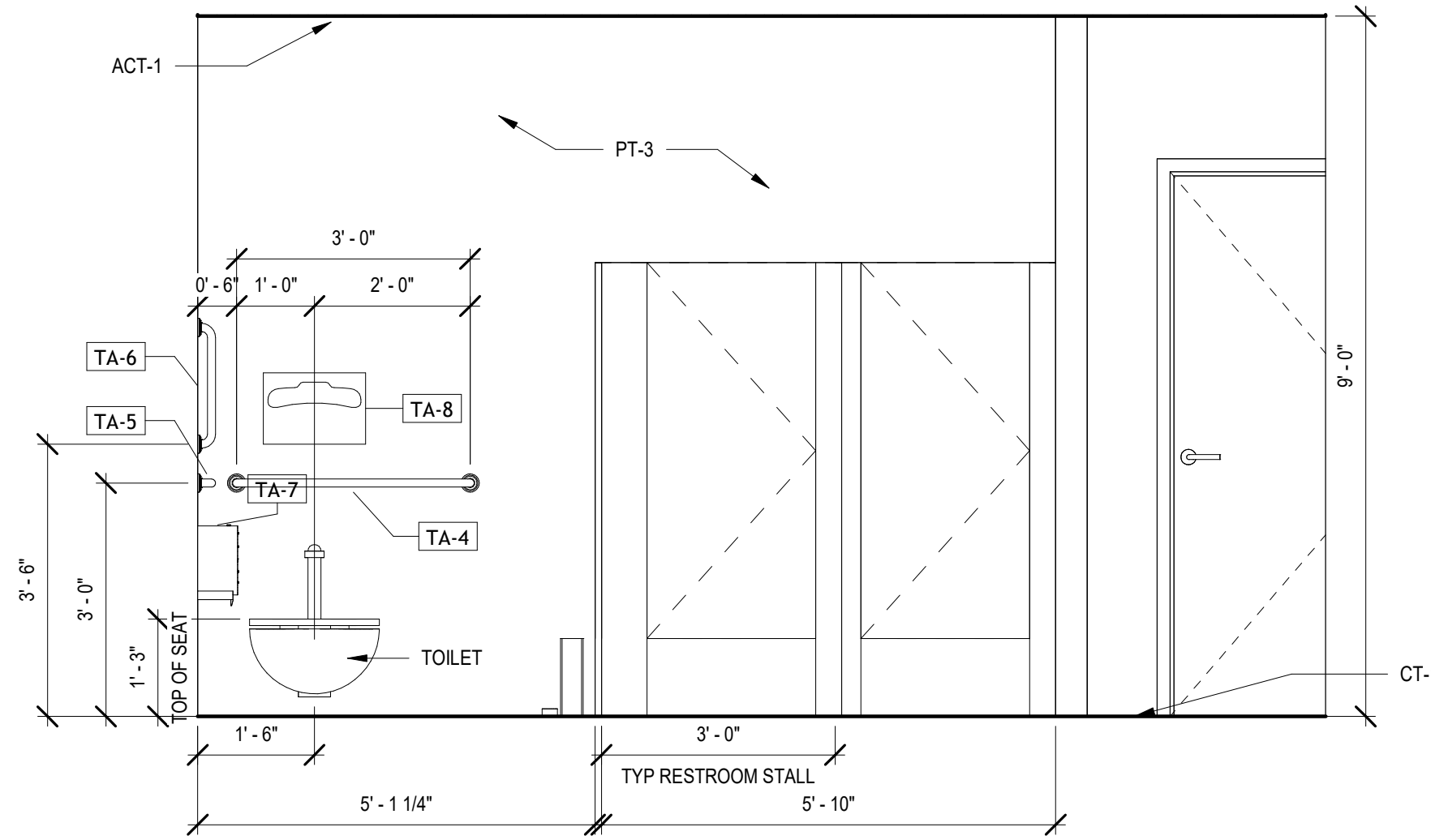
Plot Date: 4/27/2026 11:27:08 PM Path: C:\Users\mw4\OneDrive - Wendel\Documents\616202-NCWSA-ARCH_V25\Central_mwordent\FW47.rvt



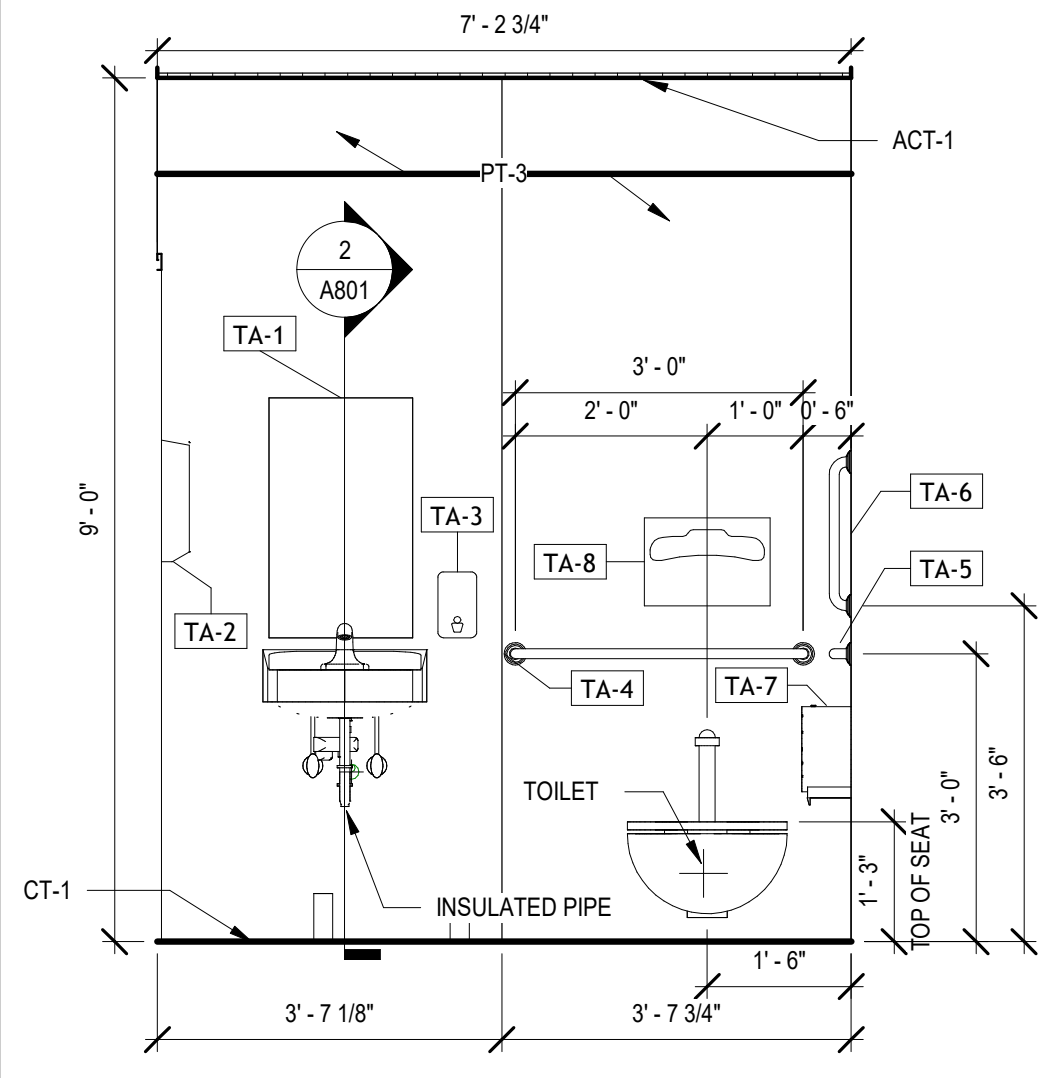
1 INTERIOR RESTROOM WALL ELEVATIONS
SCALE: 1/2" = 1'-0"



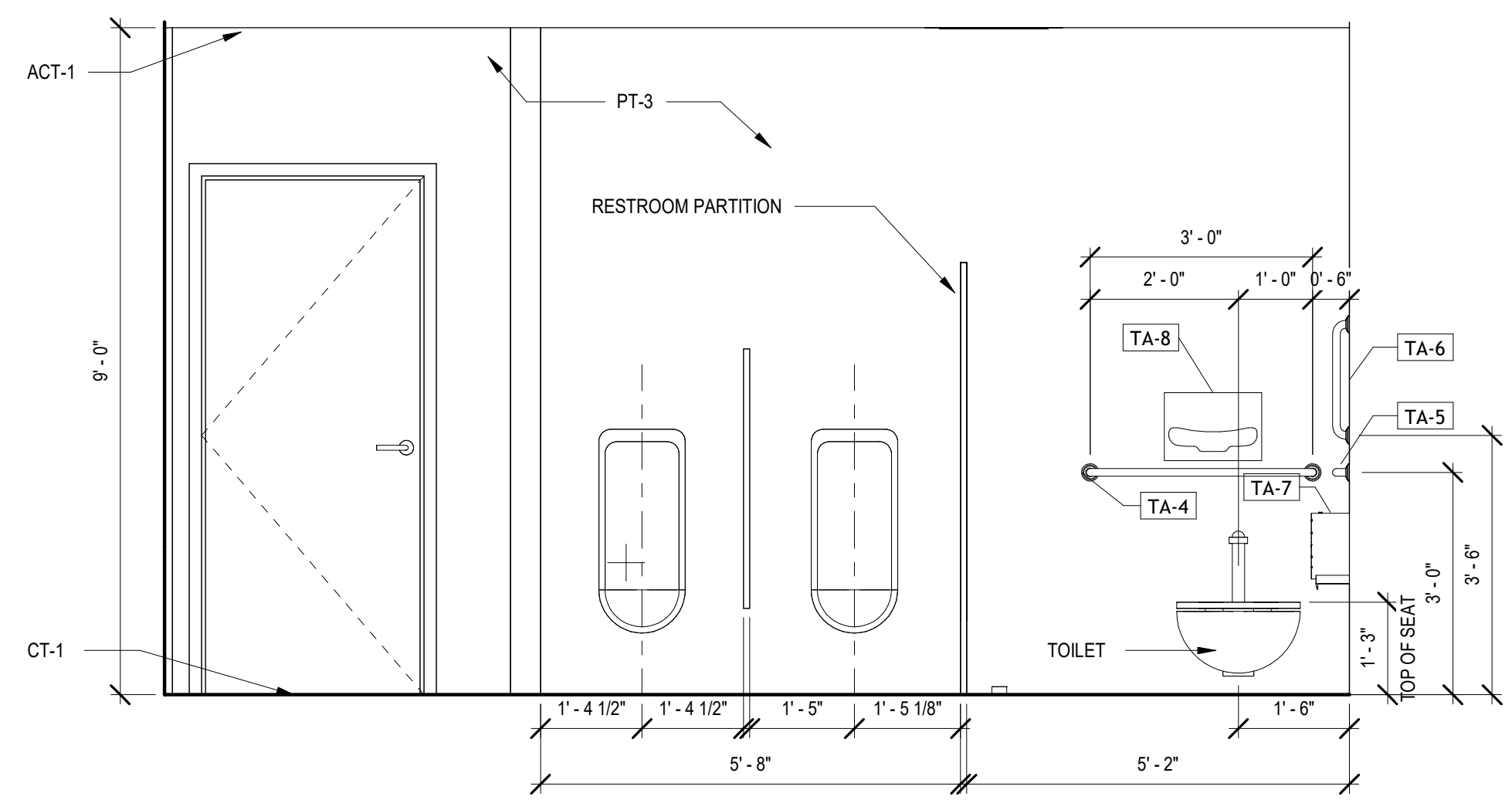
3 SINK ELEVATION AT RESTROOMS 145 & 146
SCALE: 1/2" = 1'-0"



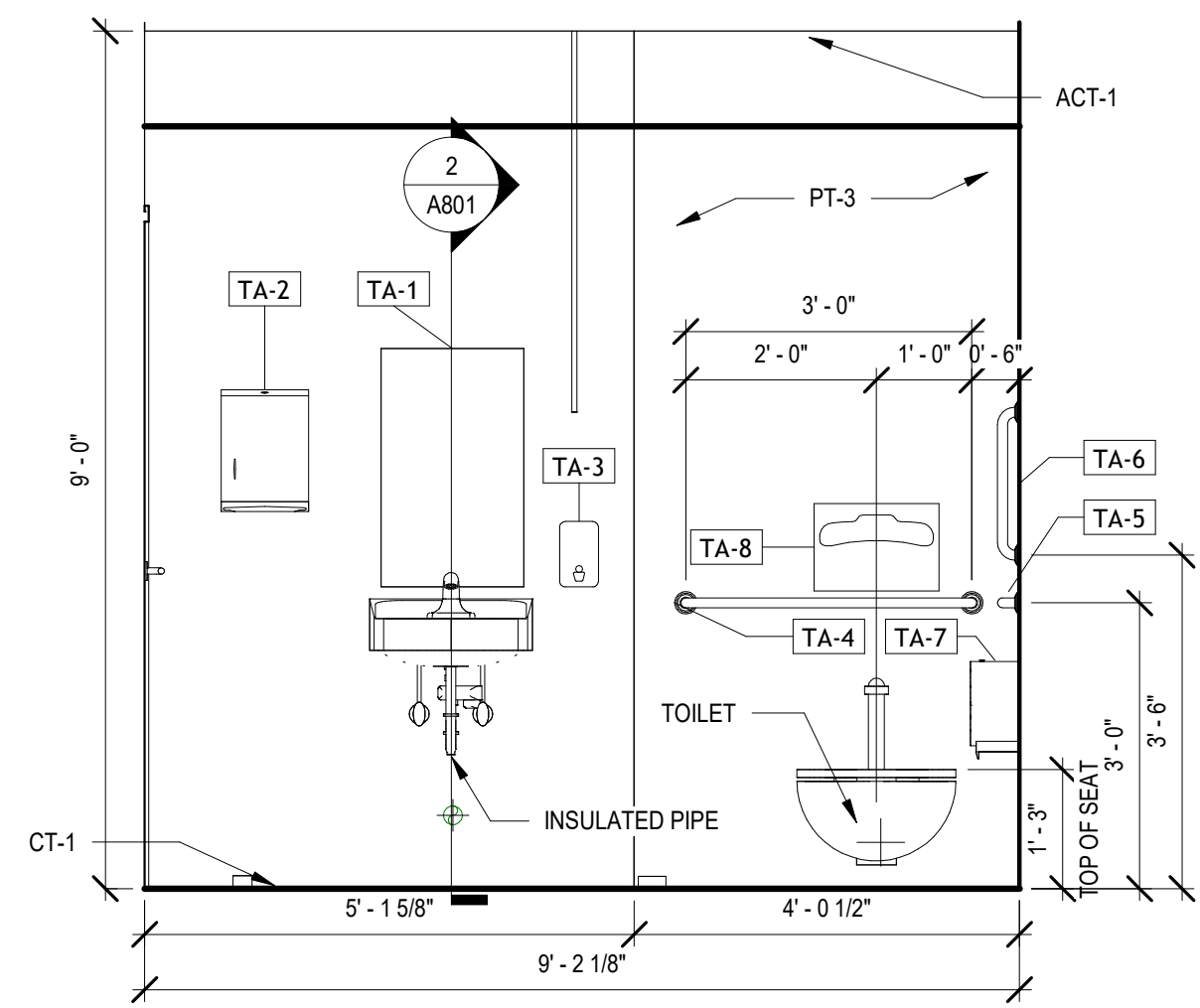
5 RESTROOM 146 - WEST ELEVATION
SCALE: 1/2" = 1'-0"



2 RESTROOM 110 & 111 ELEVATION
SCALE: 1/2" = 1'-0"



4 RESTROOM 145 - EAST ELEVATION
SCALE: 1/2" = 1'-0"



6 RESTROOM 241 & 242 ELEVATION
SCALE: 1/2" = 1'-0"



BROWN AND CALDWELL
900 HAMMOND DRIVE, SUITE 500
ATLANTA, GA 30328



THIS DRAWING IS NOT VALID FOR CONSTRUCTION PURPOSES UNLESS IT BEARS THE SEAL AND SIGNATURE OF A DULY REGISTERED PROFESSIONAL

CONSTRUCTION DOCUMENTS



NCWSA OFFICE ADDITION

REVISIONS		
REV	DATE	DESCRIPTION

LINE IS 2 INCHES AT FULL SIZE

DESIGNED: MW4
DRAWN: LDG
CHECKED: DEK
CHECKED:
APPROVED: Approver

FILENAME
BC PROJECT NUMBER 616202
CLIENT PROJECT NUMBER

RESTROOM INTERIOR ELEVATIONS

DRAWING NUMBER
A650