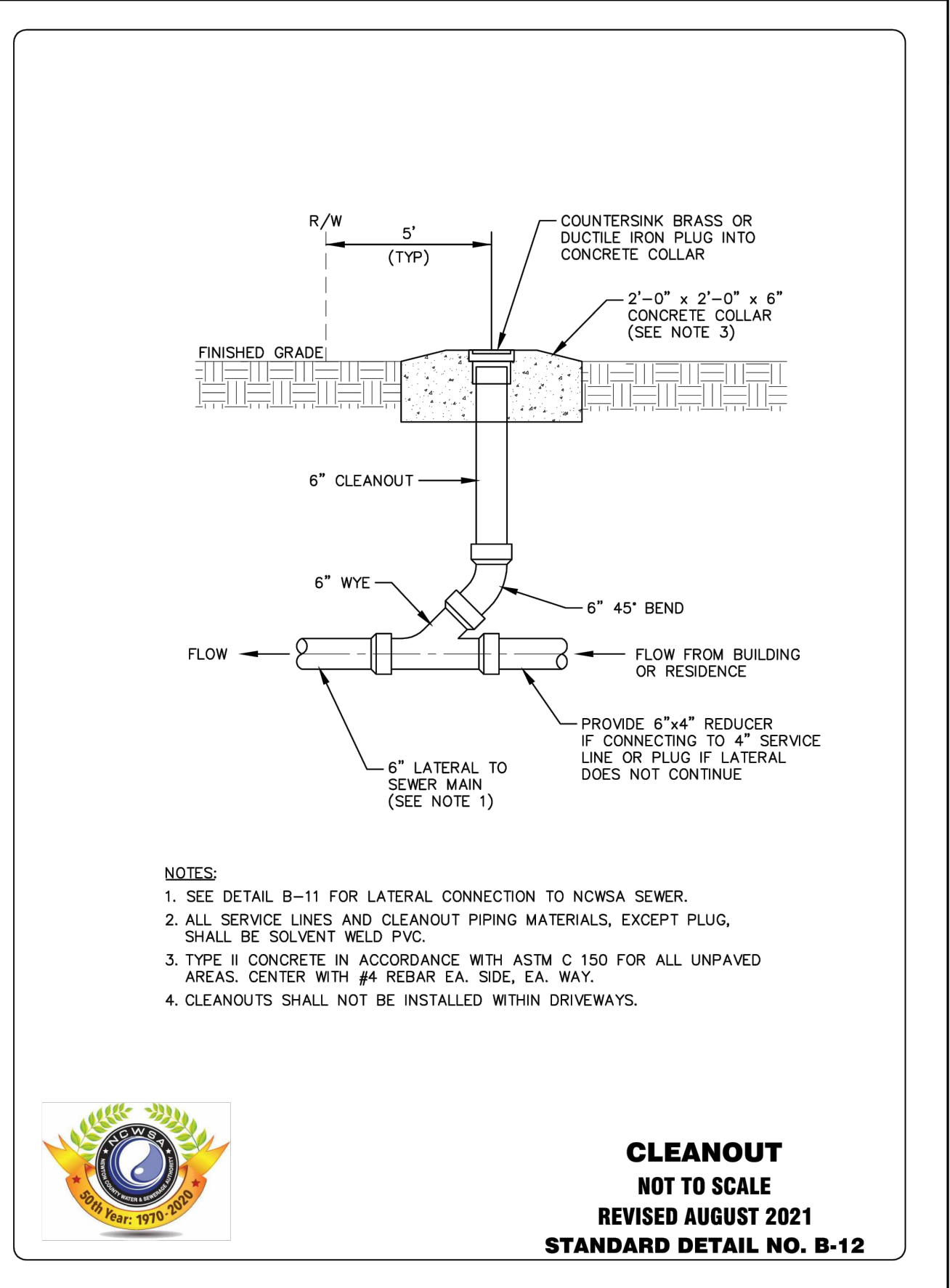
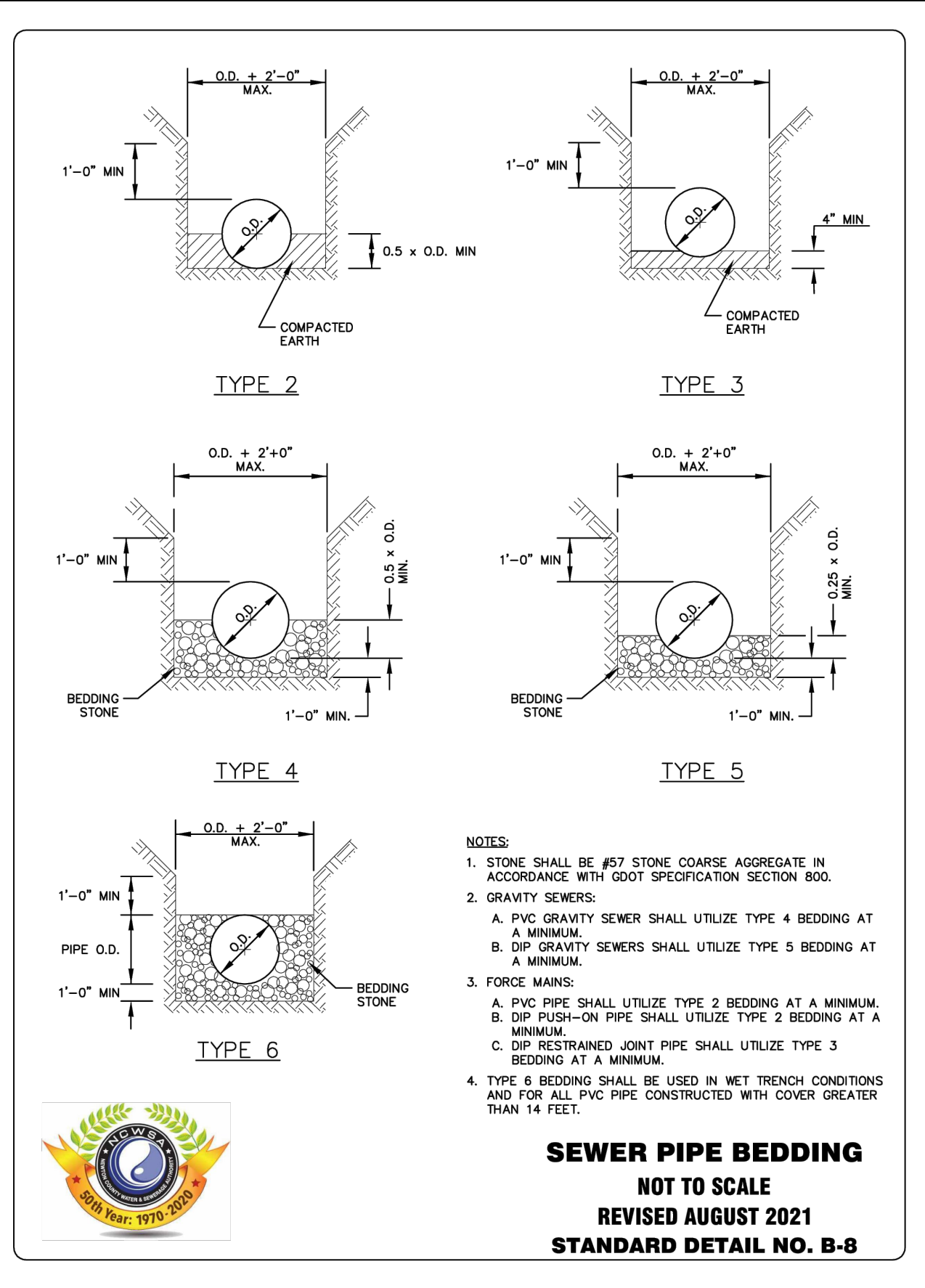
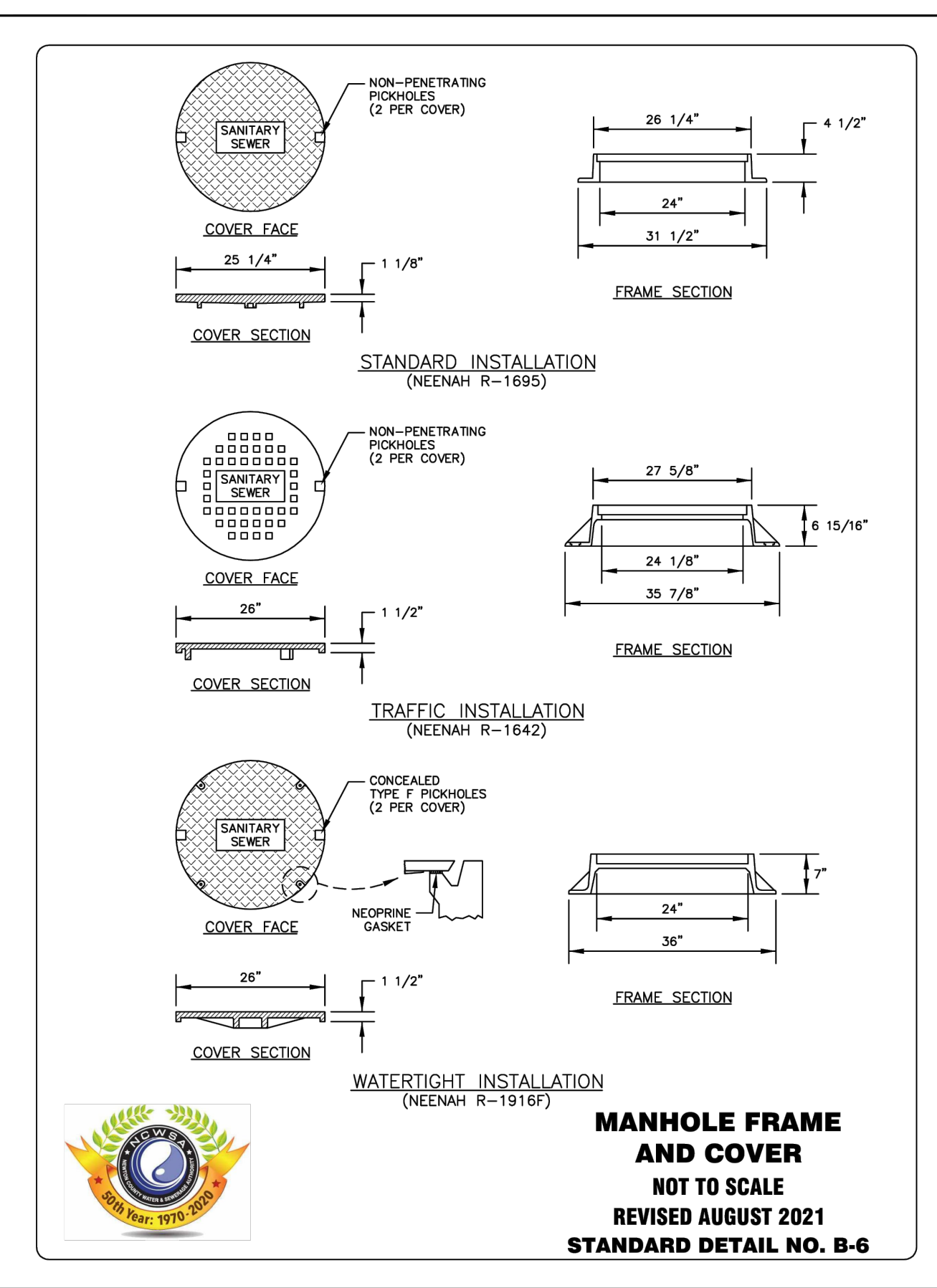
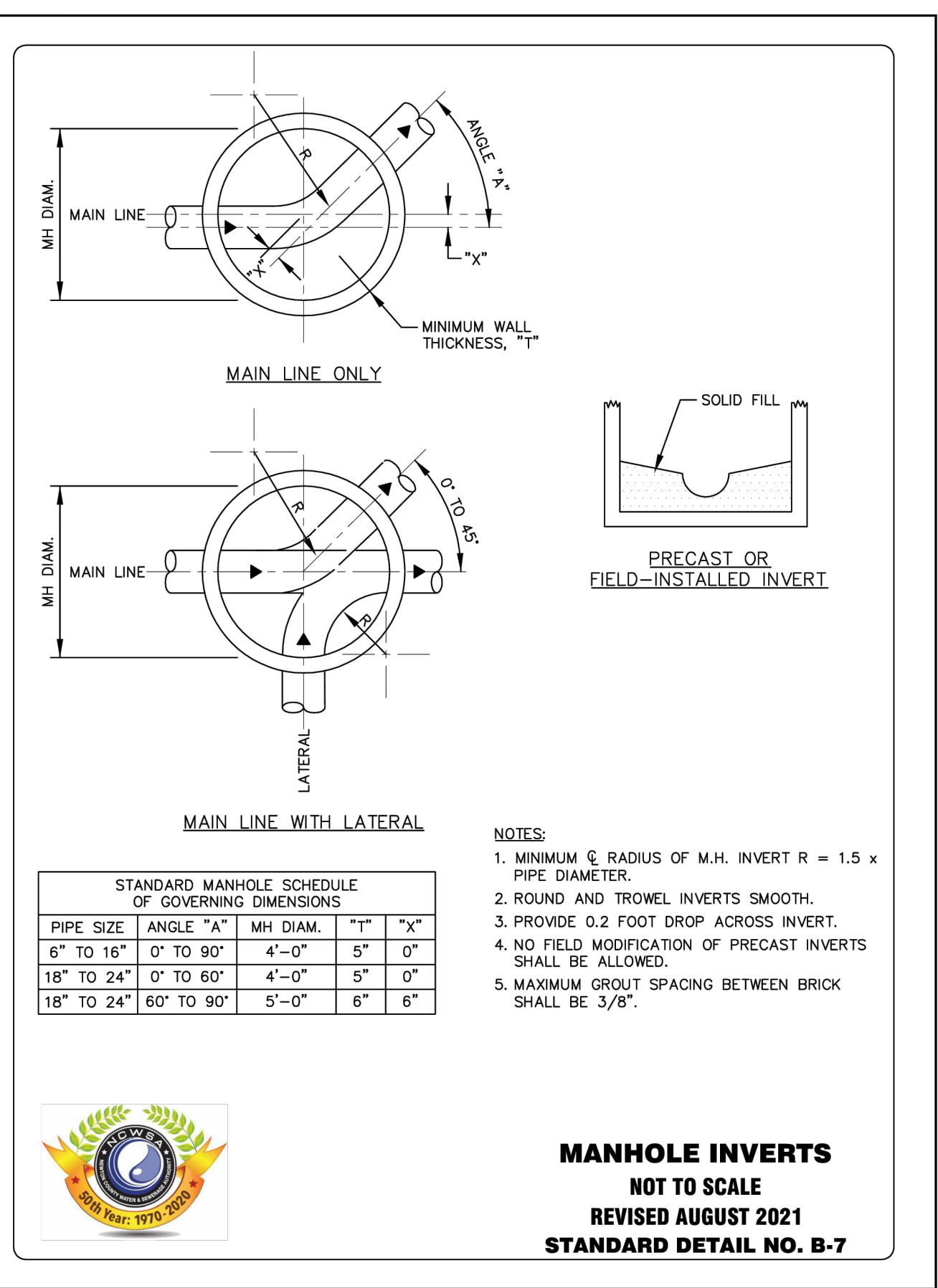
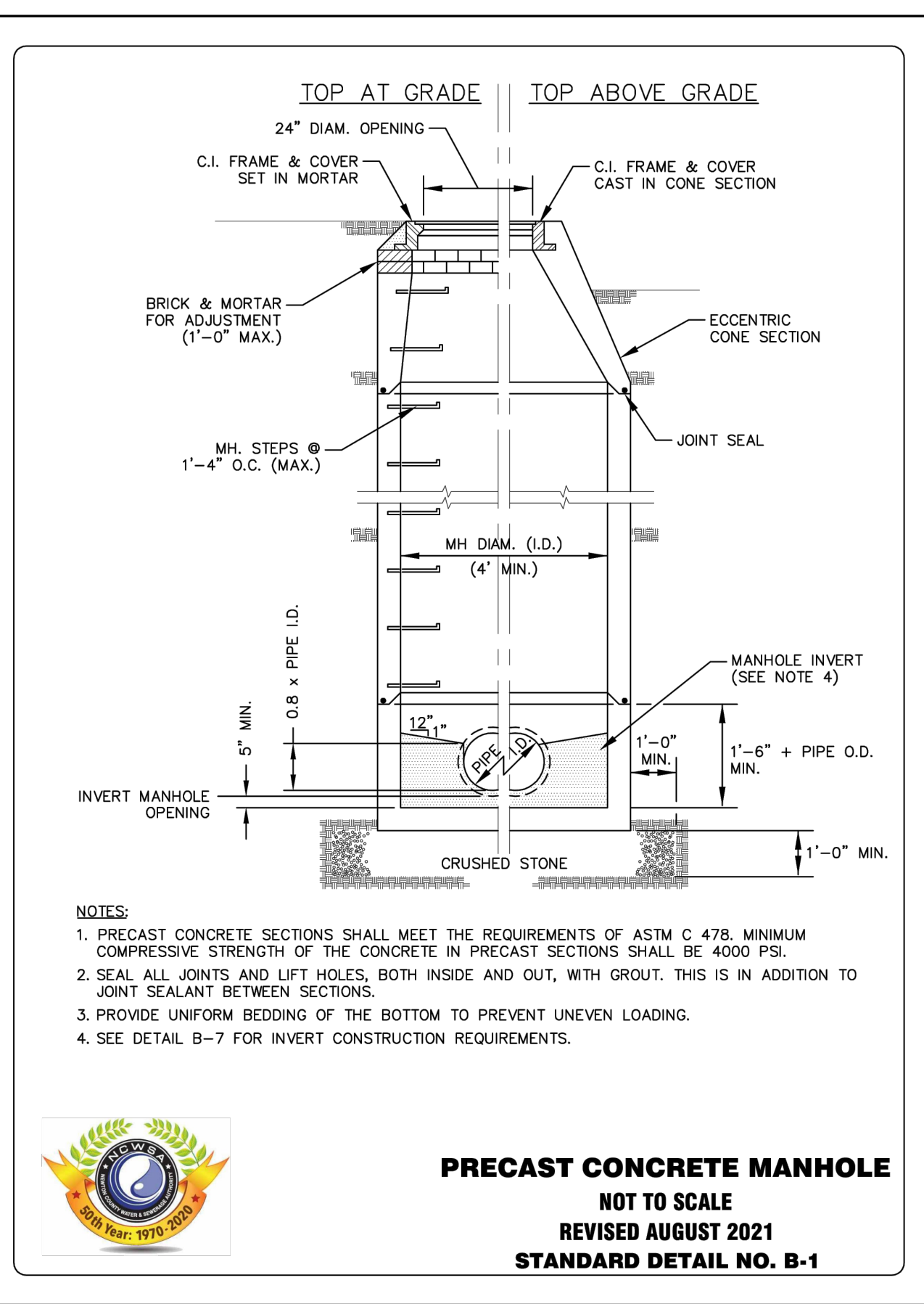


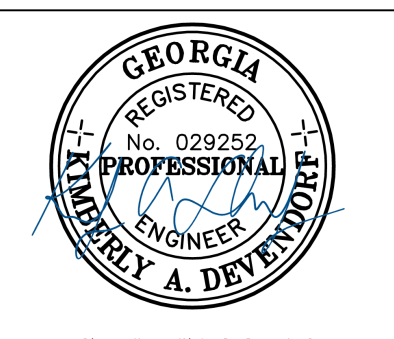
Path: C:\USERS\BFLIEG\DCACCOBS\WENDEL\NCWSA ADMIN BLDG_V25\PROJECT FILES\REVIT & CAD\CIVIL\SHEET FILENAME: 203000-C-010.DWG PLOT DATE: 4/25/2026 8:38 AM CAD USER: BENJAMIN FLIEG



BROWN AND CALDWELL
990 HAMMOND DRIVE, SUITE 500
ATLANTA, GA 30328



THIS DRAWING IS NOT VALID FOR CONSTRUCTION PURPOSES UNLESS IT BEARS THE SEAL AND SIGNATURE OF A DULY REGISTERED PROFESSIONAL



Signer Name: Kimberly Devendorf
Signing Reason: I approved this document.
Signing Time: 2026-09-22 09:59:35(EDT)

PRELIMINARY DESIGN



ADMINISTRATION BUILDING EXPANSION PROJECT

REVISIONS

REV	DATE	DESCRIPTION

LINE IS 2 INCHES AT FULL SIZE

DESIGNED: B.FLIEG
DRAWN: B.FLIEG
CHECKED: K.DEVENDORF
CHECKED:
APPROVED:

FILENAME: 203000-C-010.dwg

BC PROJECT NUMBER: 203000

CLIENT PROJECT NUMBER

CIVIL

SITE DETAILS 1

DRAWING NUMBER
C-010