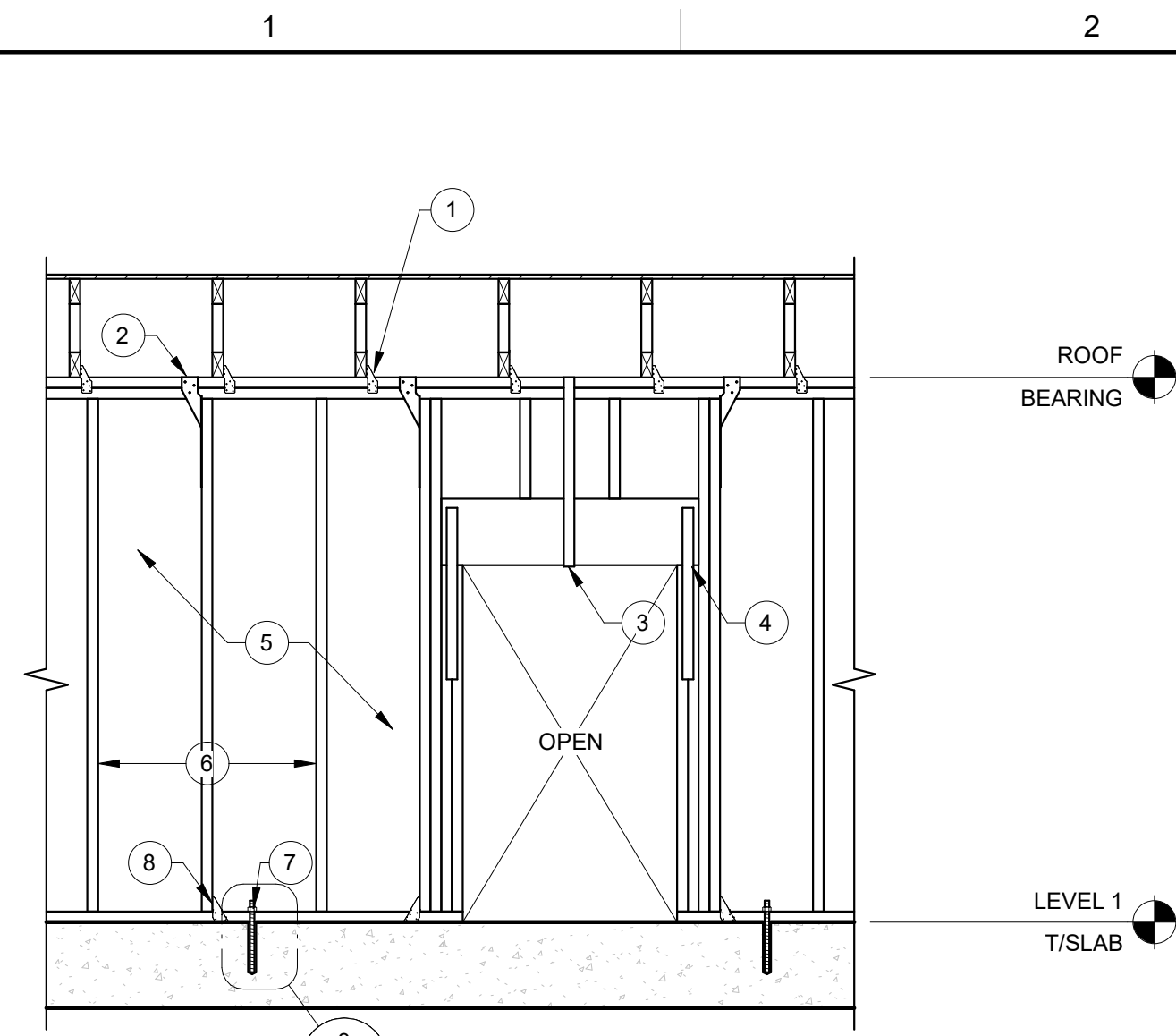


Plot Date: 3/12/2026 12:24:20 AM Path: Autodeskt Doss://NCWSA Admin Bldg_V25/02506663-NCWSA Office Addition-R25-STRUCT.rvt



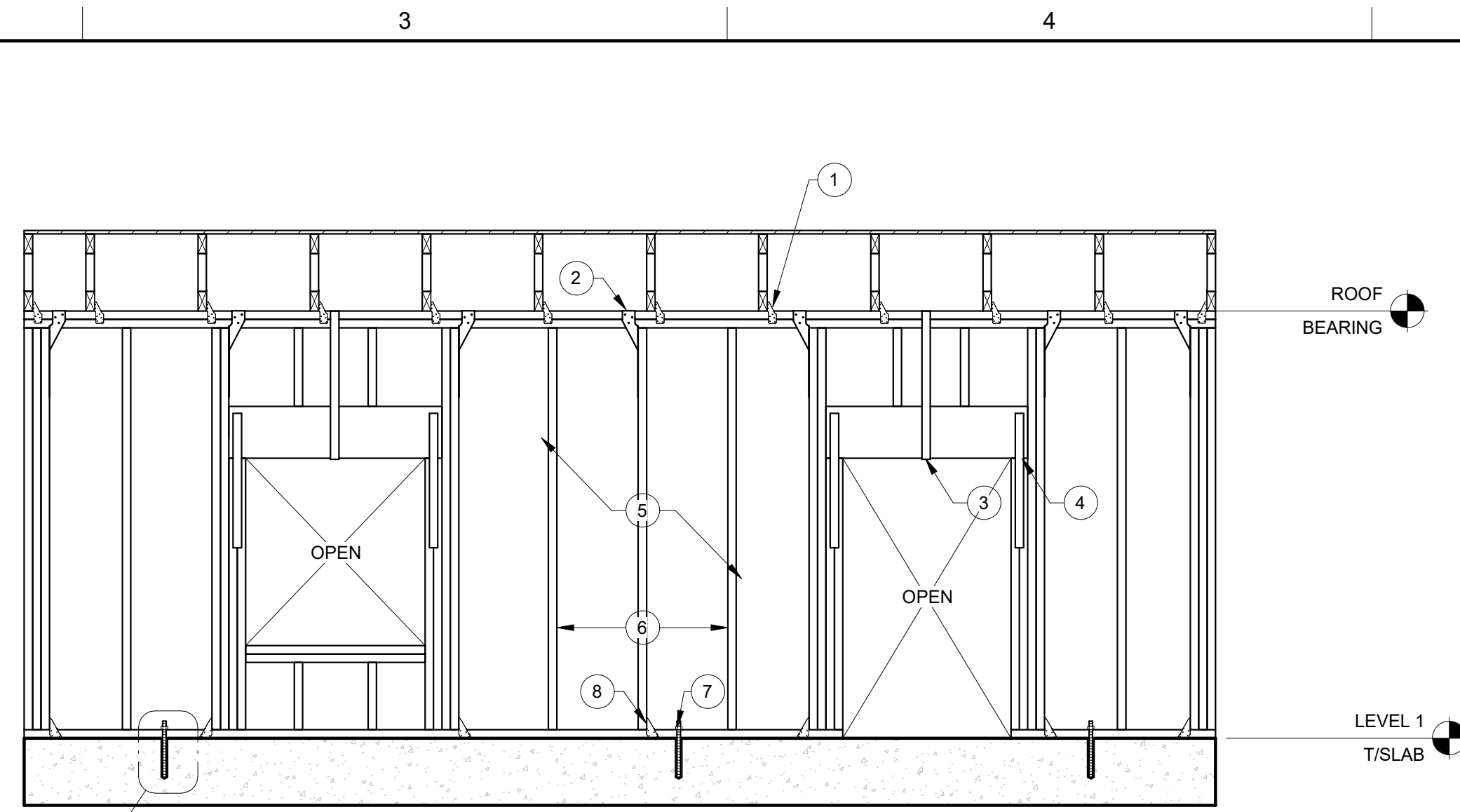
NOTES:

1. SEE WOOD WALL KEYNOTES SCHEDULE FOR HARDWARE REQUIREMENTS APPLICABLE TO THE ELEVATION.
2. SEE SHEAR WALL ELEVATIONS AND WOOD SHEAR WALL KEYNOTES SCHEDULE FOR ADDITIONAL HARDWARE REQUIRED AT WALLS INDICATED AS SHEAR WALLS IN THE CONSTRUCTION DOCUMENTS.
3. TRUSS ANCHORAGE HARDWARE REQUIREMENTS ARE SUBJECT TO CHANGE FOLLOWING THE SEOR REVIEW OF THE PRE-ENGINEERED WOOD ROOF TRUSS CALCULATIONS AND SHOP DRAWINGS.

UPLIFT CONNECTORS AT CORRIDOR WALLS - ELEVATION

SCALE: 1/2" = 1'-0"

1
S201



NOTES:

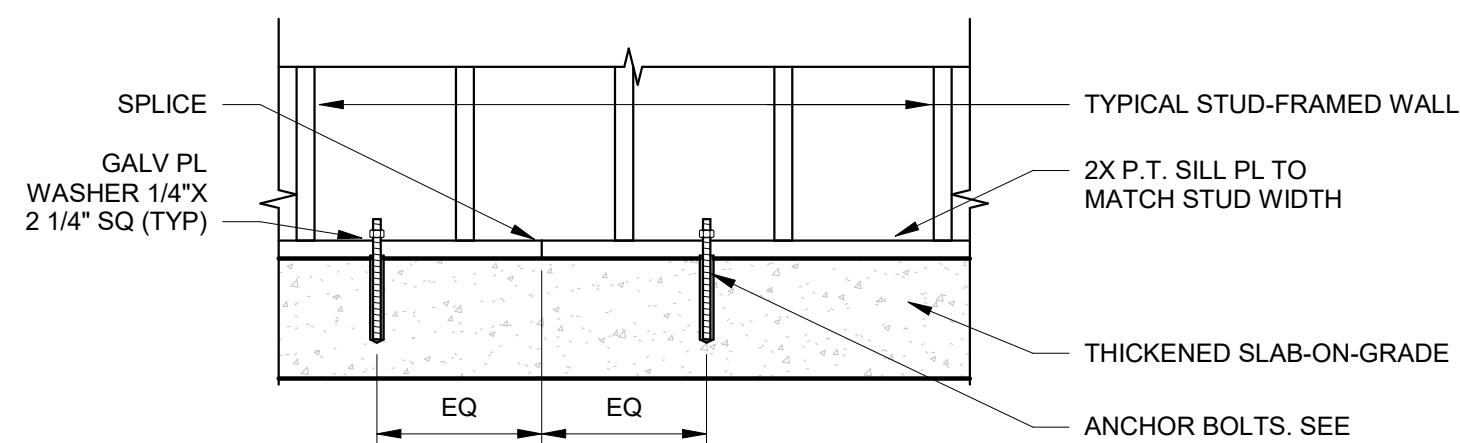
1. SEE WOOD WALL KEYNOTES SCHEDULE FOR HARDWARE REQUIREMENTS APPLICABLE TO THE ELEVATION.
2. SEE SHEAR WALL ELEVATIONS AND WOOD SHEAR WALL KEYNOTES SCHEDULE FOR ADDITIONAL HARDWARE REQUIRED AT WALLS INDICATED AS SHEAR WALLS IN THE CONSTRUCTION DOCUMENTS.
3. TRUSS ANCHORAGE HARDWARE REQUIREMENTS ARE SUBJECT TO CHANGE FOLLOWING THE SEOR REVIEW OF THE PRE-ENGINEERED WOOD ROOF TRUSS CALCULATIONS AND SHOP DRAWINGS.

UPLIFT CONNECTORS AT EXTERIOR WALLS - ELEVATION

SCALE: 1/2" = 1'-0"

2
S201

WOOD WALL KEYNOTES	
UPLIFT NOTE NUMBER	UPLIFT NOTE CONTENT
1	CONNECT EACH TRUSS TO WALL/BEAM PER ROOF TRUSS TIE DOWN SCHEDULE. CONNECT BEAM TO WALL PER PLAN AND PER KEY DETAILS. CONNECT BEAM TO POST PER KEY DETAILS.
2	THE DOUBLE 2x PLATE SHALL BE ANCHORED TO THE STUDS WITH (1) SIMPSON H8 TIE AT FULL HEIGHT STUDS AT THE JAMBS EACH SIDE OF OPENINGS. AT WALL CORNERS AND @ XX" OC BETWEEN.
3	PROVIDE SIMPSON CS## STRAP WRAPPING OVER DOUBLE 2x TOP PLATE AND EXTENDING TO BOTTOM OF HEADER ON EACH SIDE WITH (X)-10d NAILS IN HEADER ON EACH SIDE. SPACE 3'-0" OC (MAX). (TYPICAL AT ALL HEADERS AT TOP FLOOR OF LOAD BEARING WALLS)
4	FOR OPENING WIDTHS LESS THAN 6'-0", PROVIDE SIMPSON CS## STRAP FROM TOP OF HEADER X" DOWN JACK STUDS ON INTERIOR SIDE OF WALL WITH (X)-10d NAILS. FOR OPENING WIDTHS BETWEEN 6'-0" AND 12'-0", PROVIDE SIMPSON CS## STRAP FROM TOP OF HEADER XX" DOWN JACK STUDS ON INTERIOR SIDE OF WALL WITH (X)-10d NAILS. (TYPICAL AT ALL HEADERS AT TOP FLOOR OF LOAD BEARING WALLS)
5	UNSHEATHED INTERIOR AND EXTERIOR LOAD BEARING STUD WALLS SHALL HAVE CONTINUOUS HORIZONTAL BLOCKING @ 4'-0" OC MAXIMUM VERTICALLY PRIOR TO APPLYING LOADS TO THESE WALLS (NOT REQUIRED IF SHEATHING IS IN PLACE)
6	LOAD BEARING WOOD STUD (SEE WALL STUD SCHEDULE FOR STUD SIZE AND SPACING)
7	USE 5/8" DIAMETER ADHESIVE ANCHORS (7" EMBEDMENT) THRU THE MUD SILLS AT THE JAMBS EACH SIDE OF OPENINGS. AT WALL CORNERS AND @ X" OC BETWEEN (UNLESS NOTED OTHERWISE FOR SHEAR WALLS)
8	PROVIDE SIMPSON H8" AT FULL HEIGHT STUDS TO MUD SILLS AT THE JAMBS EACH SIDE OF OPENINGS. AT WALL CORNERS AND @ XX" OC BETWEEN.



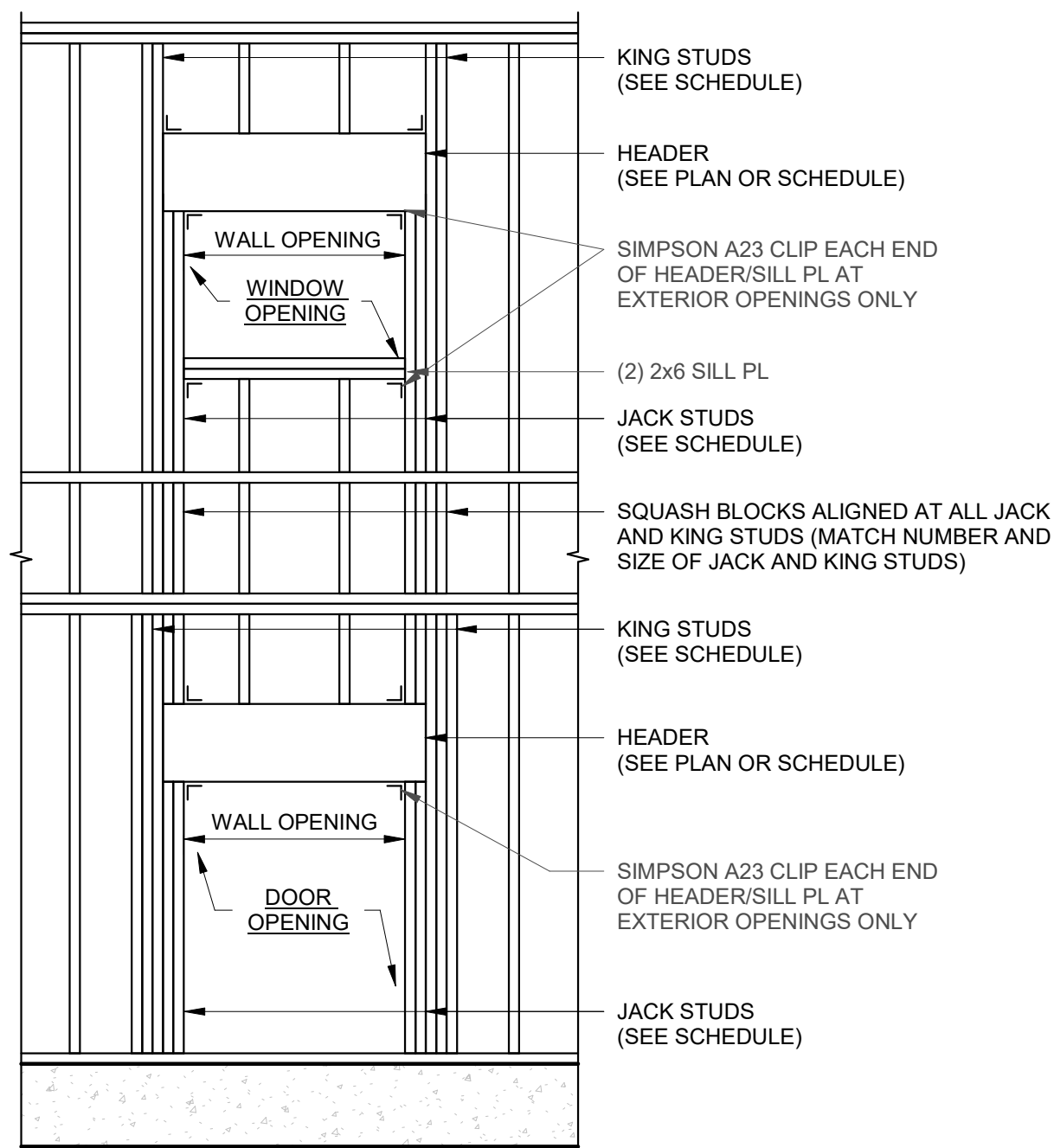
NOTES:

1. FINISH SLAB FOR EVEN BEARING OF SILL PLATE. PLACE NON-SHRINK GROUT UNDER PLATE WHEN GAP EXCEEDS 1/8"
2. USE ONLY GALVANIZED ANCHORS IN PRESSURE TREATED WOOD. GALVANIZED FASTENERS ARE NOT REQUIRED IN BORATE TREATED WOOD.
3. THIS DETAIL DOES NOT APPLY TO SHEARWALL HOLDDOWN ANCHORS.
4. OFFSET BOLTS IN SILL PLATE AS REQUIRED TO MAINTAIN 3/4" MIN EDGE DISTANCE IN CONCRETE (MEASURED FROM CENTER OF BOLT).

TYPICAL SILL PLATE ANCHORAGE - ELEVATION

SCALE: 3/4" = 1'-0"

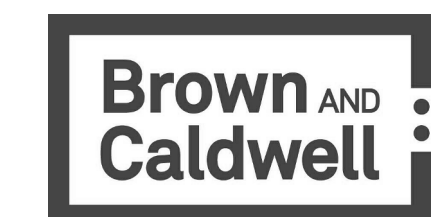
3
S201



TYPICAL HEADER LAYOUT - ELEVATION

SCALE: 1/2" = 1'-0"

4
S201



BROWN AND CALDWELL
900 HAMMOND DRIVE, SUITE 500
ATLANTA, GA 30328



THIS DRAWING IS NOT VALID FOR CONSTRUCTION PURPOSES UNLESS IT BEARS THE SEAL AND SIGNATURE OF A DULY REGISTERED PROFESSIONAL

Project Status



Project Name

REVISIONS		
REV	DATE	DESCRIPTION

LINE IS 2 INCHES AT FULL SIZE

DESIGNED: Designer
DRAWN: Author
CHECKED: Checker
CHECKED:
APPROVED: Approver
FILENAME

BC PROJECT NUMBER
Project Number
CLIENT PROJECT NUMBER

WOOD WALL ELEVATIONS

DRAWING NUMBER
S201