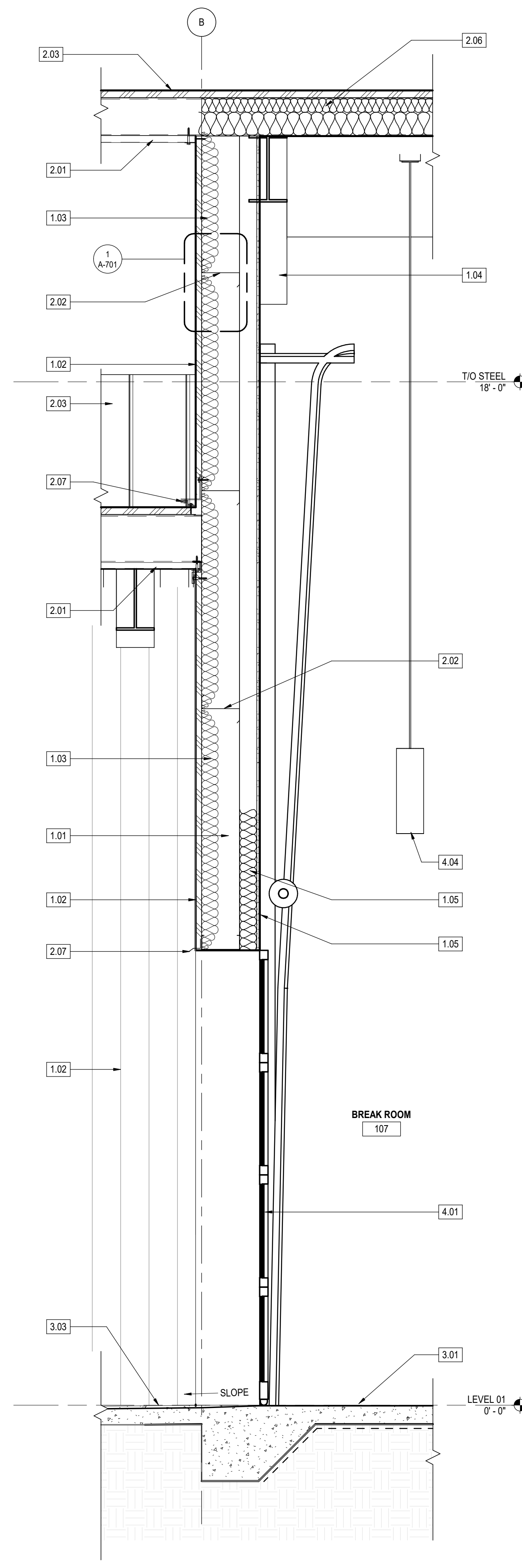
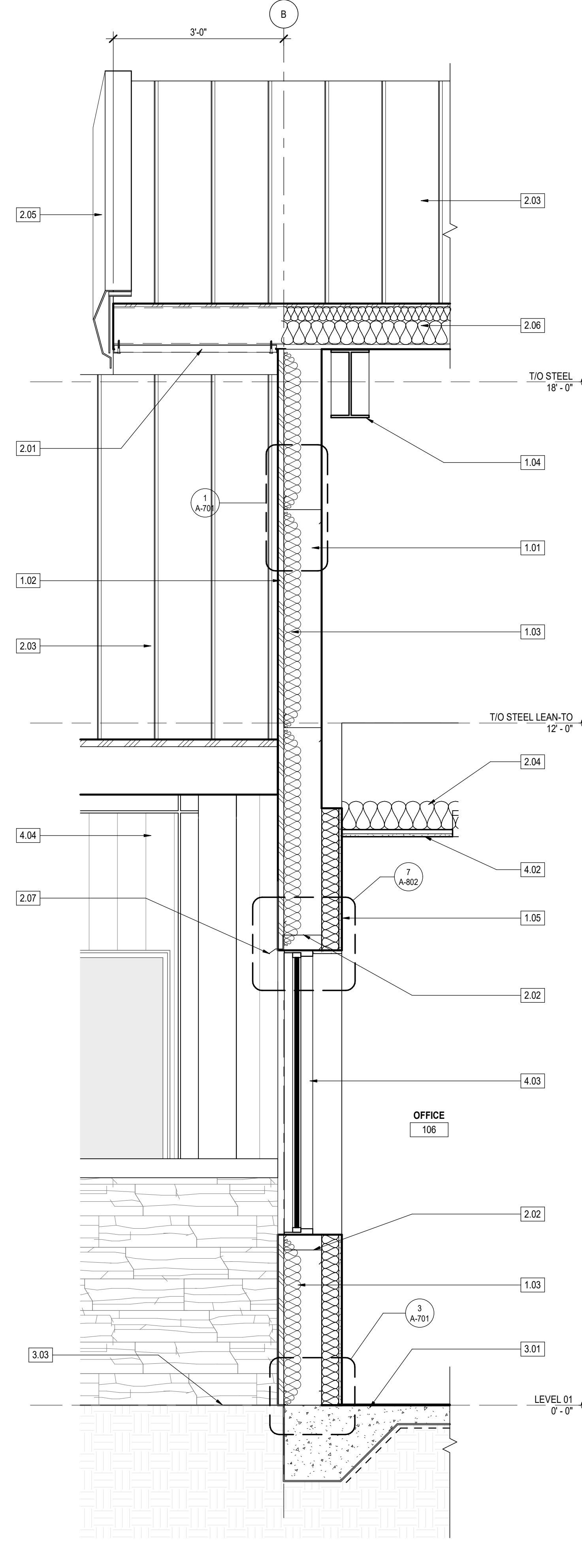


**3** WALL SECTION 6  
A-412 | 3/4" = 1'-0"



**2** WALL SECTION 5  
A-412 | 3/4" = 1'-0"



**1** WALL SECTION 4  
A-412 | 3/4" = 1'-0"

### WALL SECTION KEYNOTES

- 1.01 6" GIRT WALL, PROVIDED BY PEMB SUPPLIER.
- 1.02 VERTICAL PBR WALL PANEL, PROVIDED BY PEMB SUPPLIER.
- 1.03 FACED R-13 METAL BUILDING INSULATION AT EXTERIOR WALLS, PROVIDED BY PEMB SUPPLIER
- 1.04 MAIN FRAME, SEE PEMB DRAWINGS
- 1.05 5/8" GWB ON THE INTERIOR SIDE OVER METAL STUD WALL W/ R-13 BATT INSULATION
- 1.06 WIND BENT FRAME, SEE PEMB DRAWINGS FOR FURTHER INFORMATION
  
- 2.01 SOFFIT LINER PANEL, BASIS OF DESIGN MBCI ARTISAN L12 WITH BEAD, PROVIDED BY PEMB SUPPLIER
- 2.02 8" Z- PURLINS, SEE PEMB DRAWINGS FOR FURTHER INFORMATION.
- 2.03 STANDING SEAM METAL ROOF PROVIDED BY PEMB SUPPLIER
- 2.04 6" SOUND BATT INSULATION ABOVE SCHEDULED CEILING.
- 2.05 GABLE TRIM WITH RAKE ANGLE ANCHORED TO END OF PURLINS, PROVIDED BY PEMB SUPPLIER
- 2.06 BLACK SIMPLE SAVER ROOF INSULATION SYSTEM (R-25 + R-19), PROVIDED BY PEMB SUPPLIER
- 2.07 PROVIDE FLASHING, TYP.
- 2.08 GUTTER AND DOWNSPOUT PROVIDED BY PEMB SUPPLIER. SURFACE DRAIN WITH SPLASHBLOCK
  
- 3.01 CONCRETE SLAB ON GRADE OVER PREPARED SUBGRADE AND VAPOR BARRIER, SEE STRUCTURAL
- 3.02 CONCRETE FOUNDATION / FOOTING, SEE STRUCTURAL.
- 3.03 EXTERIOR PAVING / HARDSCAPE / SOFTSCAPE, SEE CIVIL DRAWINGS.
  
- 4.01 SCHEDULED DOOR, SEE A-800 FOR FURTHER INFORMATION
- 4.02 SCHEDULED CEILING, SEE A-201 FOR FURTHER INFORMATION
- 4.03 SCHEDULED WINDOW, SEE A-800 FOR FURTHER INFORMATION
- 4.04 SCHEDULED LIGHT FIXTURE, SEE ELECTRICAL SHEETS FOR FURTHER INFORMATION
  
- 5.01 SIGNAGE, PERMITTED SEPARATELY
- 5.02 INTERIOR LINER PANEL PROVIDED BY PEMB SUPPLIER

PRICING ONLY NOT FOR CONSTRUCTION

PROJECT NUMBER: 25-038

REVISIONS NO. DATE ISSUE

PEACH STATE CONSTRUCTION COMPANY OFFICE

PRICING ONLY NOT FOR CONSTRUCTION

WALL SECTIONS

A-412

PRICING ONLY