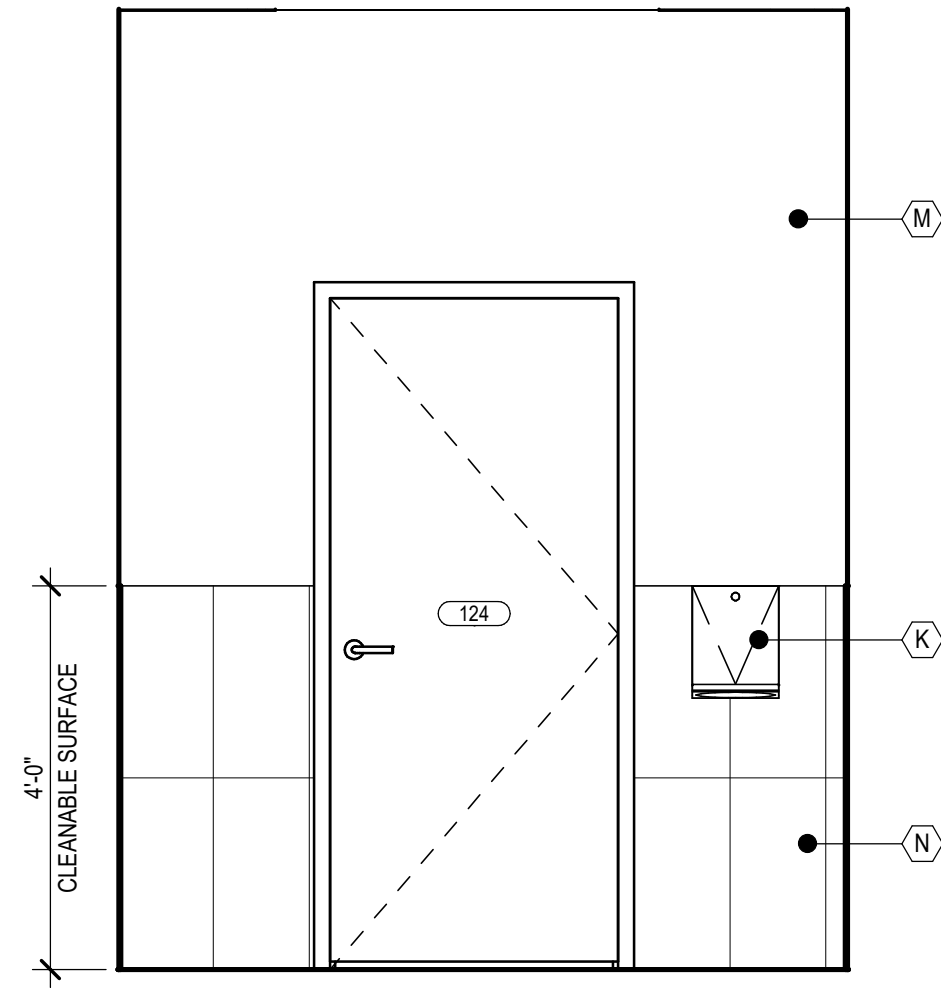
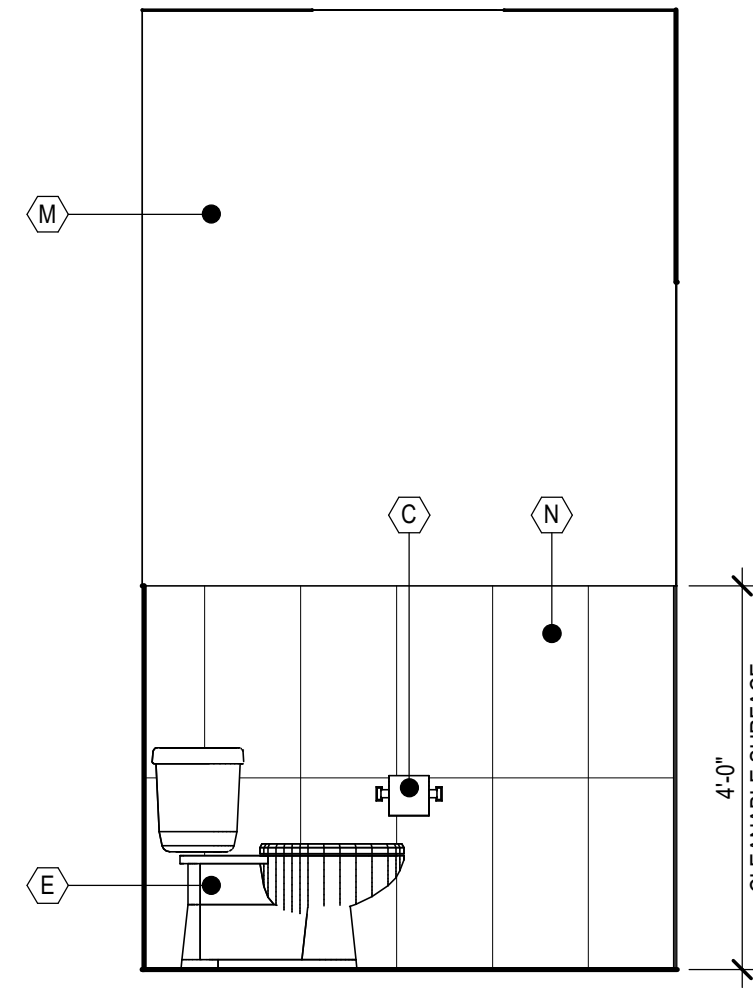


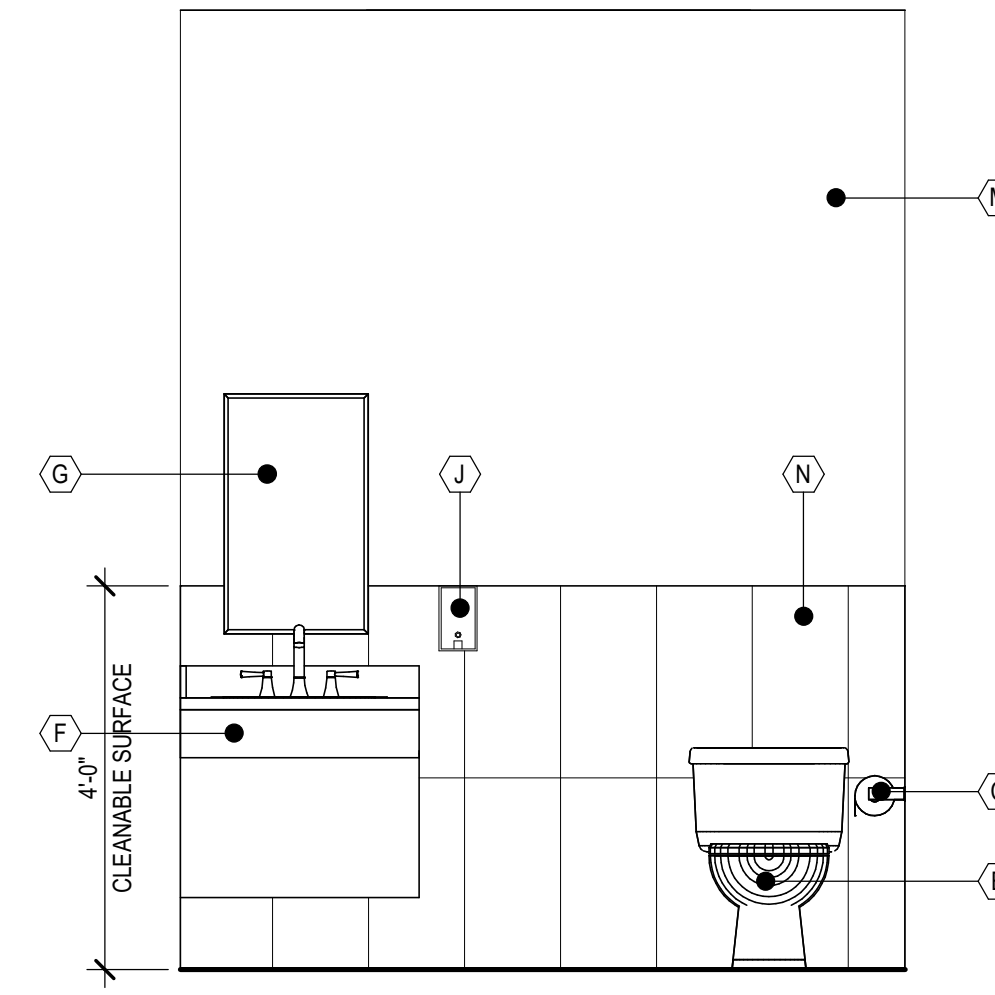
10 RR 124 - ELEVATION 9
A-506 | 1/2" = 1'-0"



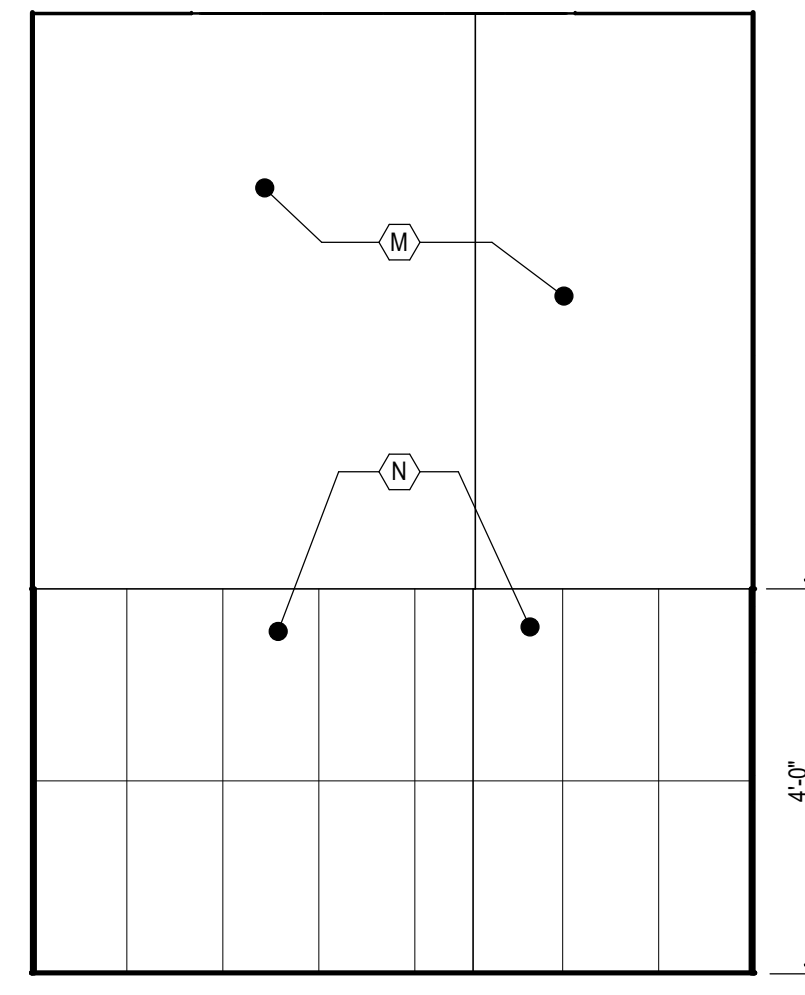
9 RR 124 - ELEVATION 8
A-506 | 1/2" = 1'-0"



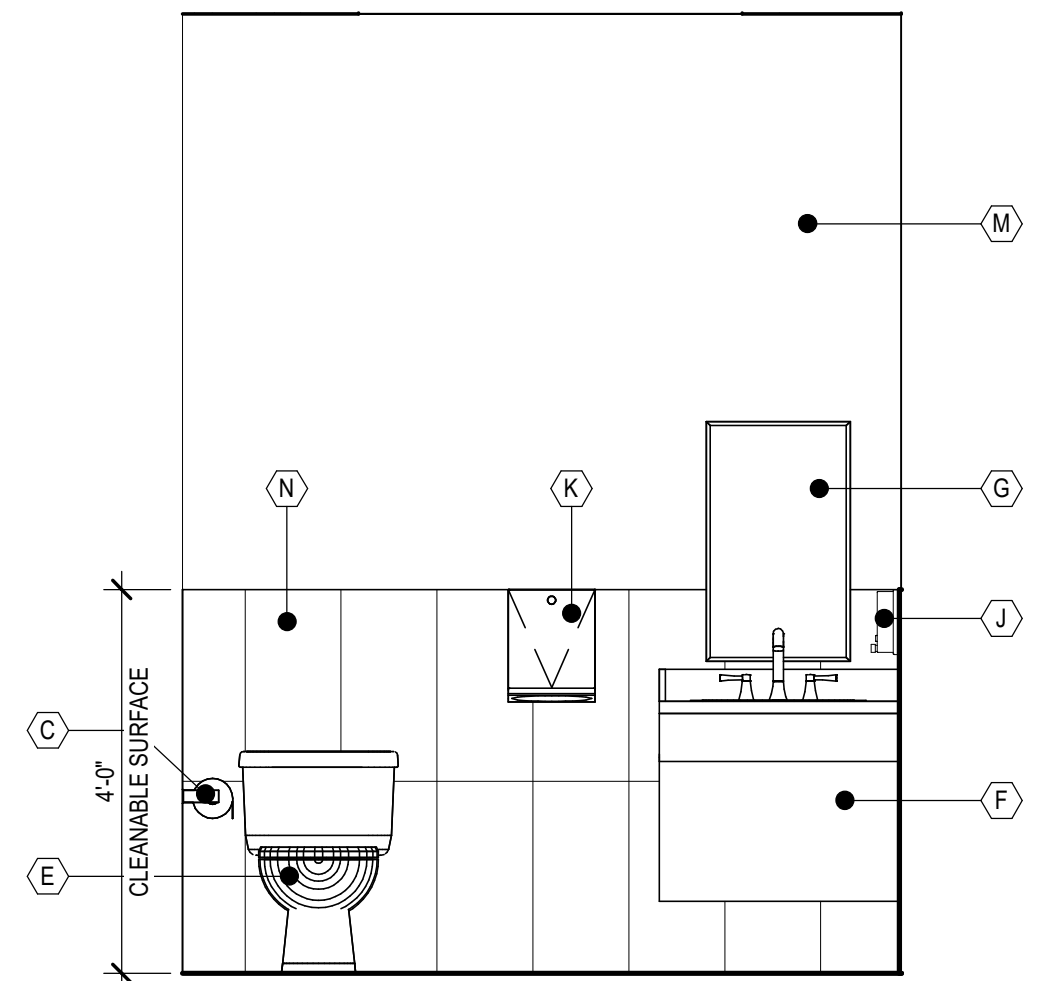
8 RR 124 - ELEVATION 7
A-506 | 1/2" = 1'-0"



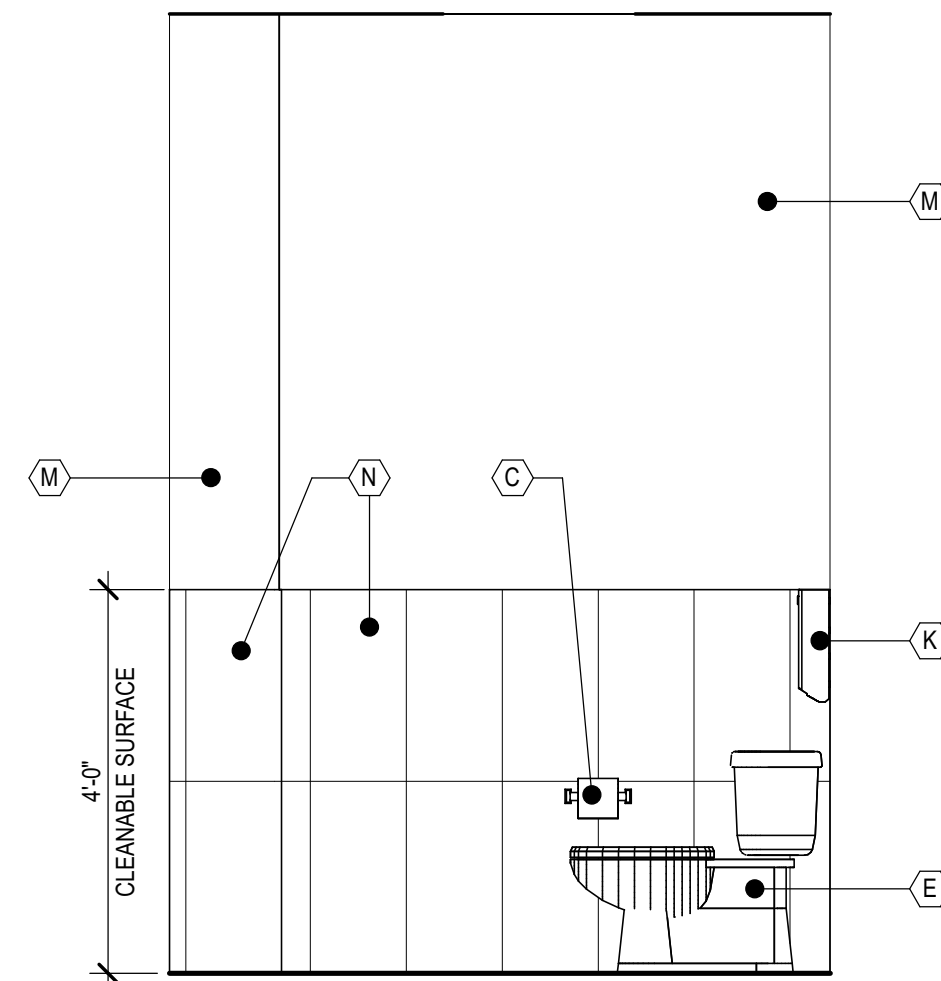
7 RR 124 - ELEVATION 6
A-506 | 1/2" = 1'-0"



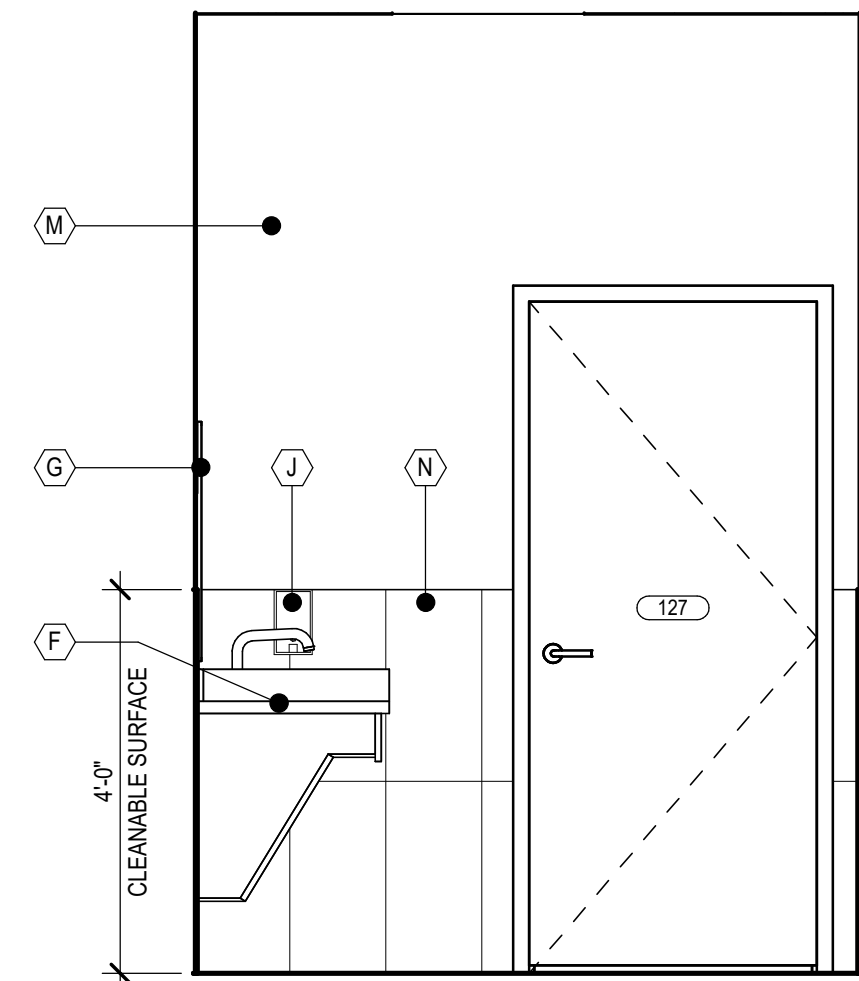
5 RR 127 - ELEVATION 5
A-506 | 1/2" = 1'-0"



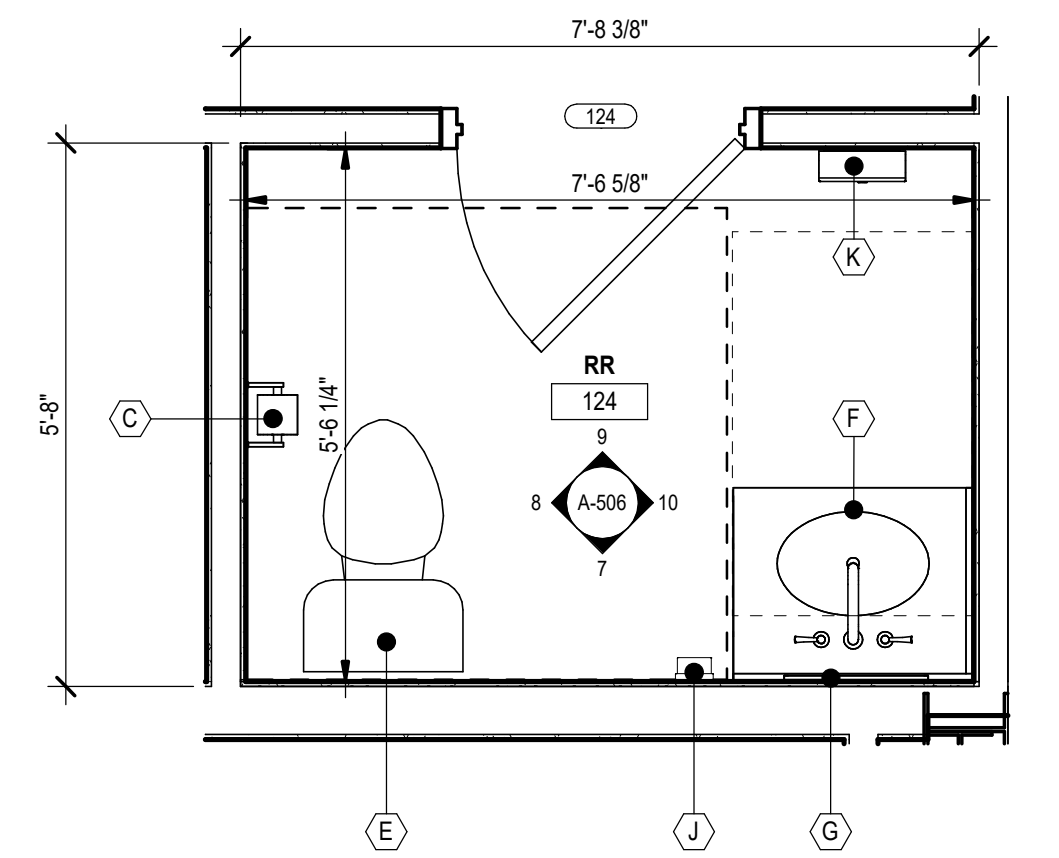
3 RR 127 - ELEVATION 3
A-506 | 1/2" = 1'-0"



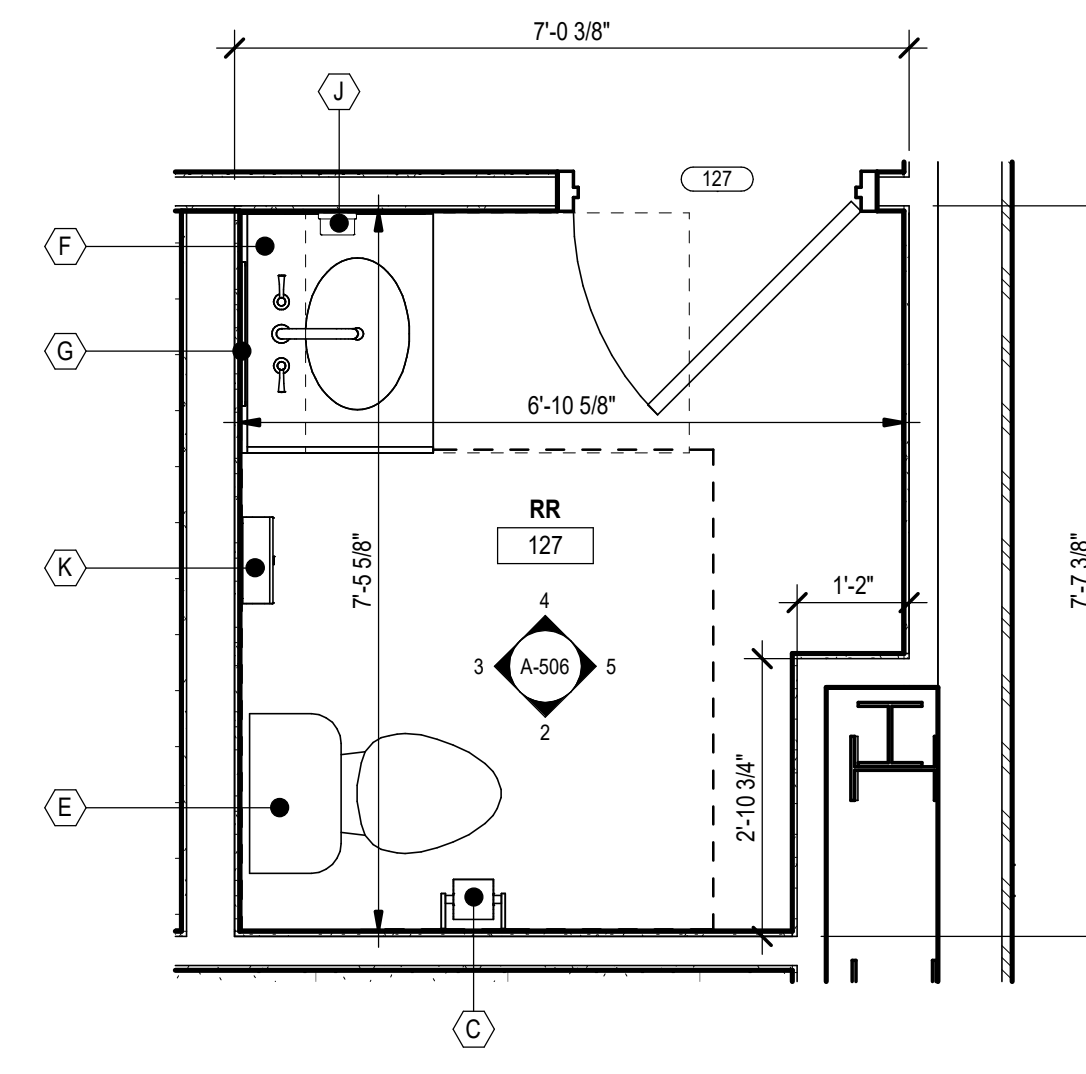
2 RR 127 - ELEVATION 2
A-506 | 1/2" = 1'-0"



4 RR 127 - ELEVATION 4
A-506 | 1/2" = 1'-0"



6 ENLARGED RR 124 FLOOR PLAN
A-506 | 1/2" = 1'-0"



1 ENLARGED RR 127 FLOOR PLAN
A-506 | 1/2" = 1'-0"

TOILET ACCESSORY LEGEND

- (A) 42" S.S. 1-1/2" GRAB BAR
- (B) 36" S.S. 1-1/2" GRAB BAR
- (C) TOILET PAPER DISPENSER - SURFACE MOUNTED; PROVIDE BLOCKING
- (D) SANITARY NAPKIN RECEPTACLE - SURFACE MOUNTED; PROVIDE BLOCKING
- (E) FLOOR MOUNTED TOILET
- (F) ADA COMPLIANT BATHROOM SKIRTING WITH COUNTERTOP AND UNDERMOUNT SINK
- (G) 18" X 36" WALL MOUNTED MIRROR
- (H) WALL MOUNTED SINK; PROVIDE BLOCKING AND PIPE PROTECTION AS REQUIRED
- (J) SOAP DISPENSER - SURFACE MOUNTED; PROVIDE BLOCKING
- (K) PAPER TOWEL DISPENSER; PROVIDE BLOCKING
- (M) INTERIOR WALL PAINT; SEE FINISHES PLAN
- (N) WALL TILE (T-01). SEE FINISHES PLAN

TOILET ROOM NOTES

1. ACCESSIBLE LOCATIONS THROUGHOUT SHALL HAVE A 30"X48" CLEAR FLOOR SPACE IN FRONT OF ALL LIGHT SWITCHES, ELECTRICAL OUTLETS, THERMOSTATS AND OTHER ENVIRONMENTAL CONTROLS. COORDINATE WITH ELECTRICAL AND MECHANICAL DRAWINGS.
2. WATER CLOSET FIXTURE TYPES SHOWN ON THESE DRAWINGS ARE DIAGRAMMATIC ONLY. SEE PLUMBING DRAWINGS FOR EXACT WATER CLOSET TYPE FIXTURE.
3. LAVATORIES AND WATER CLOSETS TO BE LEVER TYPE CONTROL, MOUNTED ON THE ACCESSIBLE SIDE OF TOILETS
4. PROVIDE SOLID BLOCKING IN WALL REQUIRED TO SUPPORT LAVATORIES, TOILET ACCESSORIES, GRAB BARS, ETC. (INCLUDING FURNITURE).
5. MOUNT ALL ACCESSORIES AT HEIGHTS AND LOCATIONS INDICATED ON MANUFACTURER'S INSTALLATION INSTRUCTIONS U.N.O. TO PROVIDE APPLICABLE ACCESSIBILITY COMPLIANCE. SEE SHEET G-050 & G-051
6. REFER TO PLUMBING DRAWINGS FOR PLUMBING FIXTURE SCHEDULE, ELECTRICAL DRAWINGS FOR ELECTRICAL FIXTURE SCHEDULE, AND INTERIOR DRAWINGS FOR FINISH INFORMATION.

PRICING ONLY NOT FOR CONSTRUCTION

PROJECT NUMBER: 25-038

REVISIONS	NO.	DATE	ISSUE

PEACH STATE CONSTRUCTION COMPANY OFFICE

PRICING ONLY NOT FOR CONSTRUCTION

ENLARGED RESTROOM PLANS & ELEVATIONS

A-506

PRICING ONLY