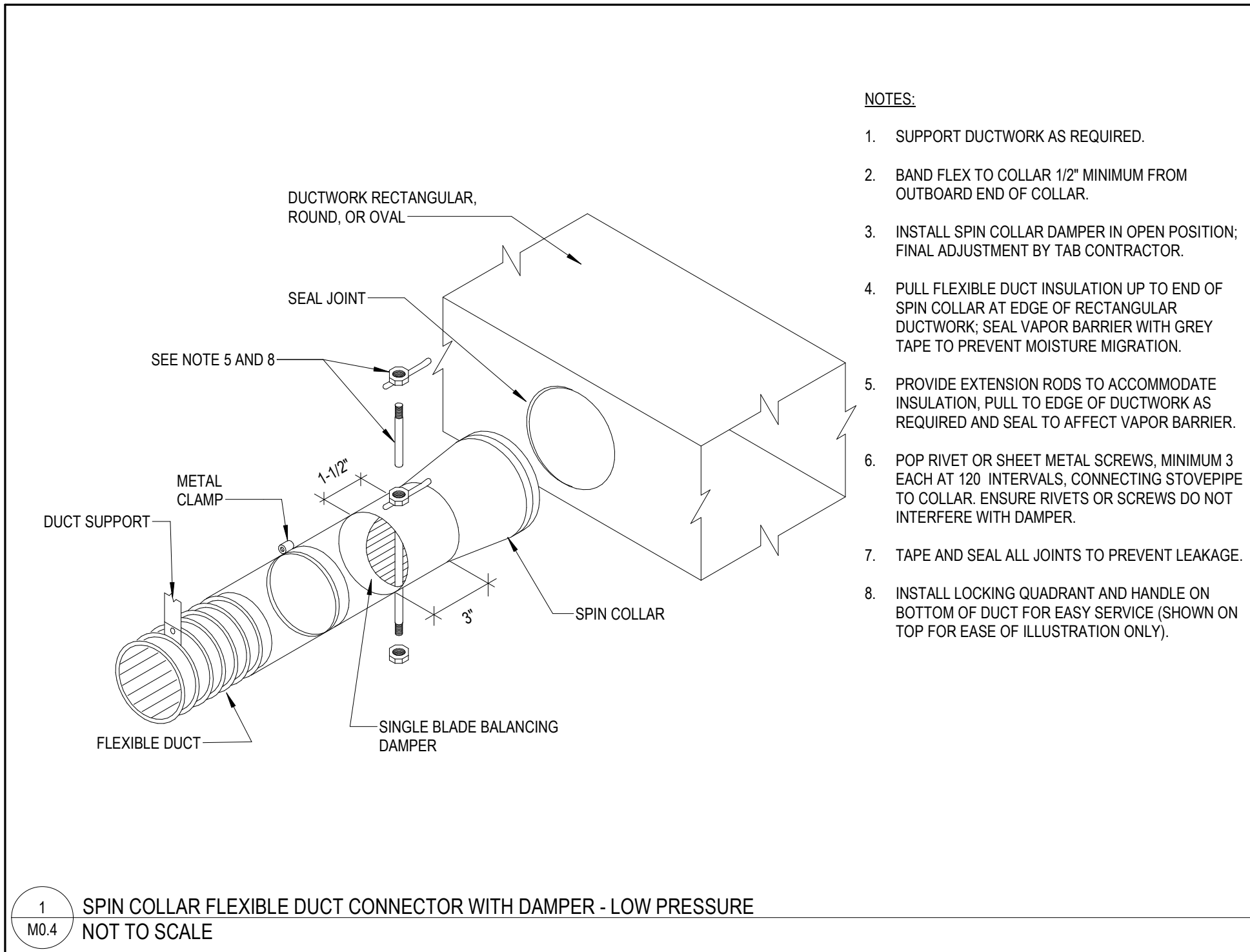


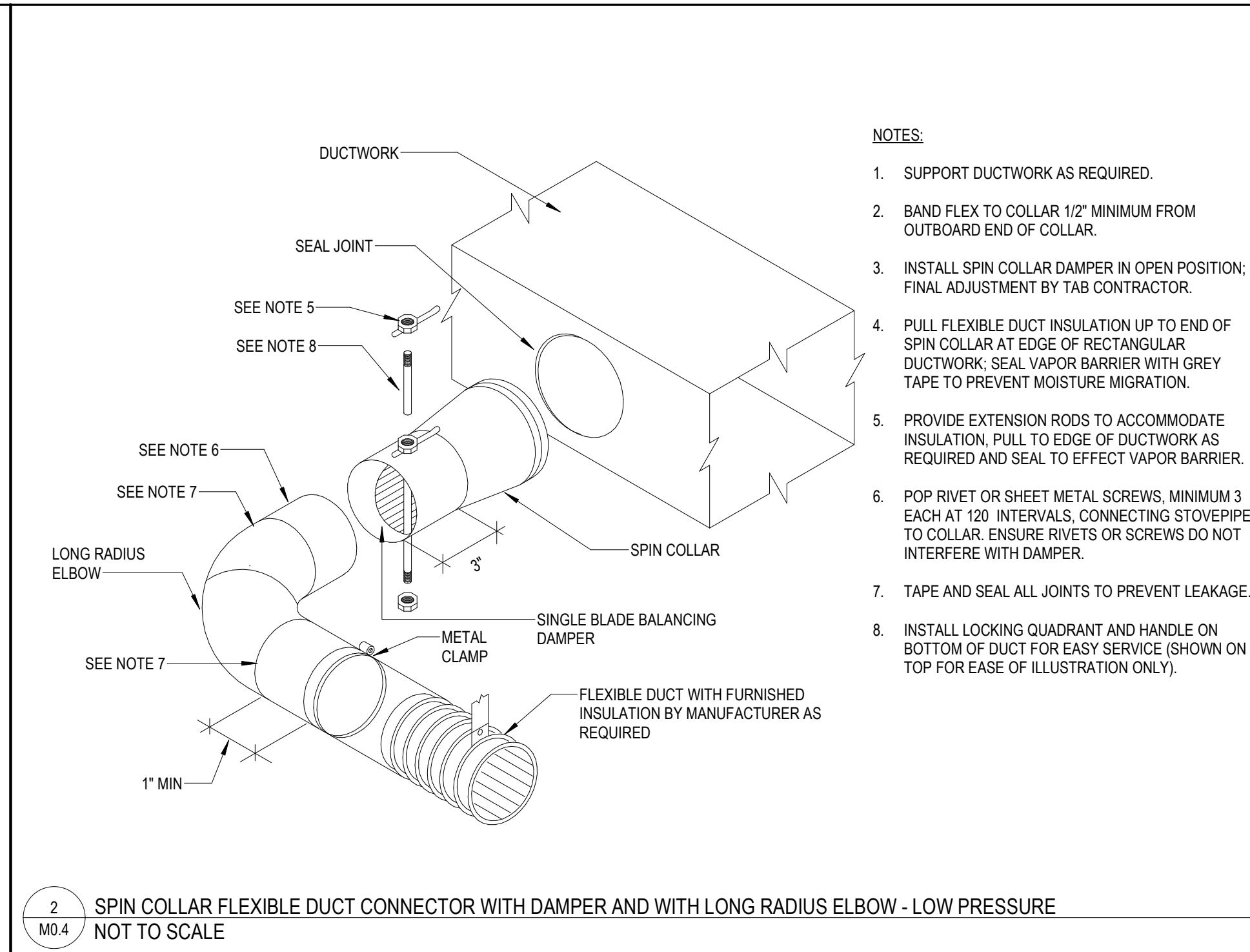
PROJECT NUMBER:	TE 25-113
ISSUE:	
DATE:	
NO.:	
REVISIONS:	

PEACH STATE CONSTRUCTION COMPANY OFFICE
 PIPER ROAD - NEWTON COUNTY, GEORGIA

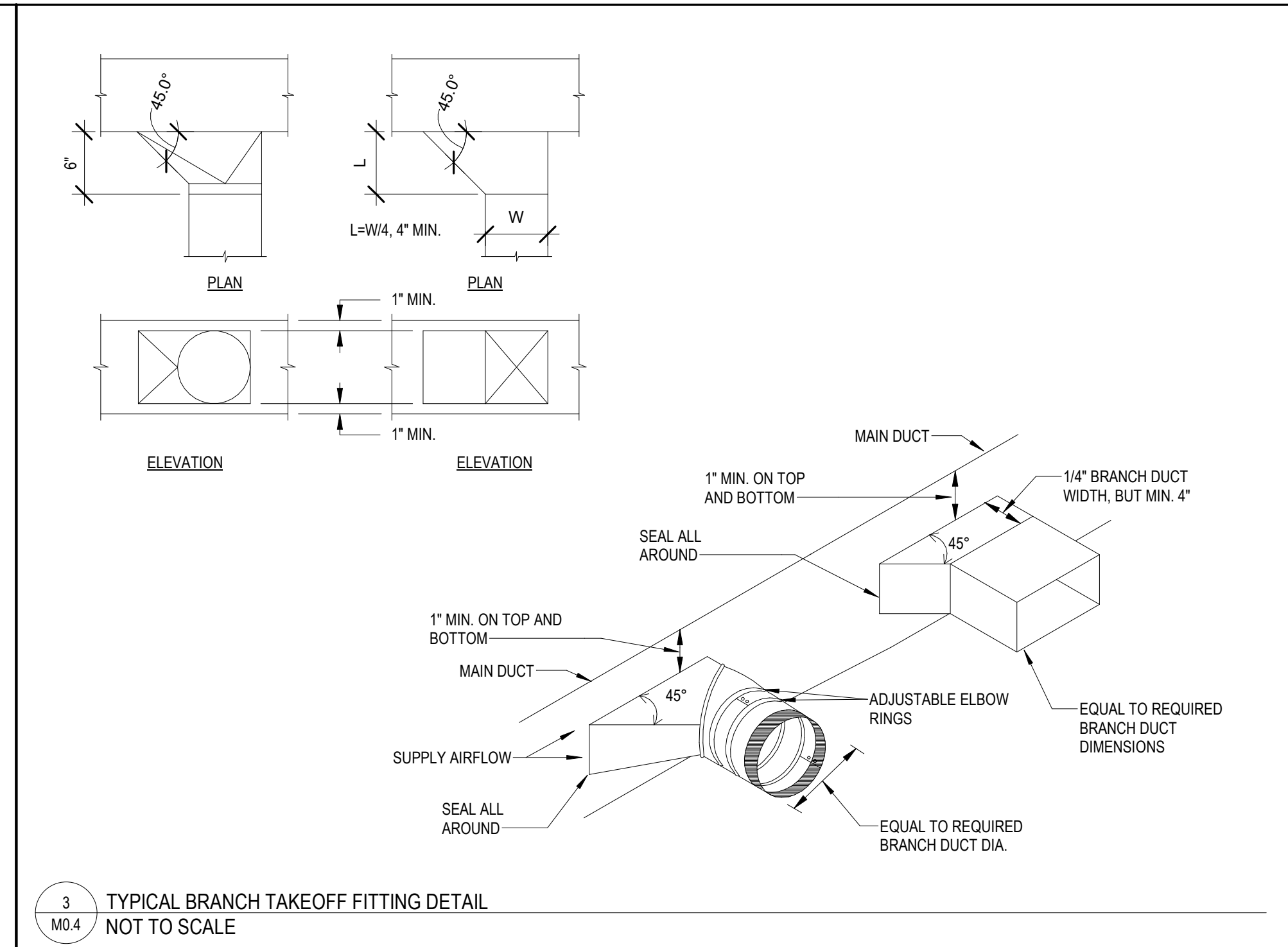
MECHANICAL DETAILS
M0.4
 SCHEMATIC DESIGN



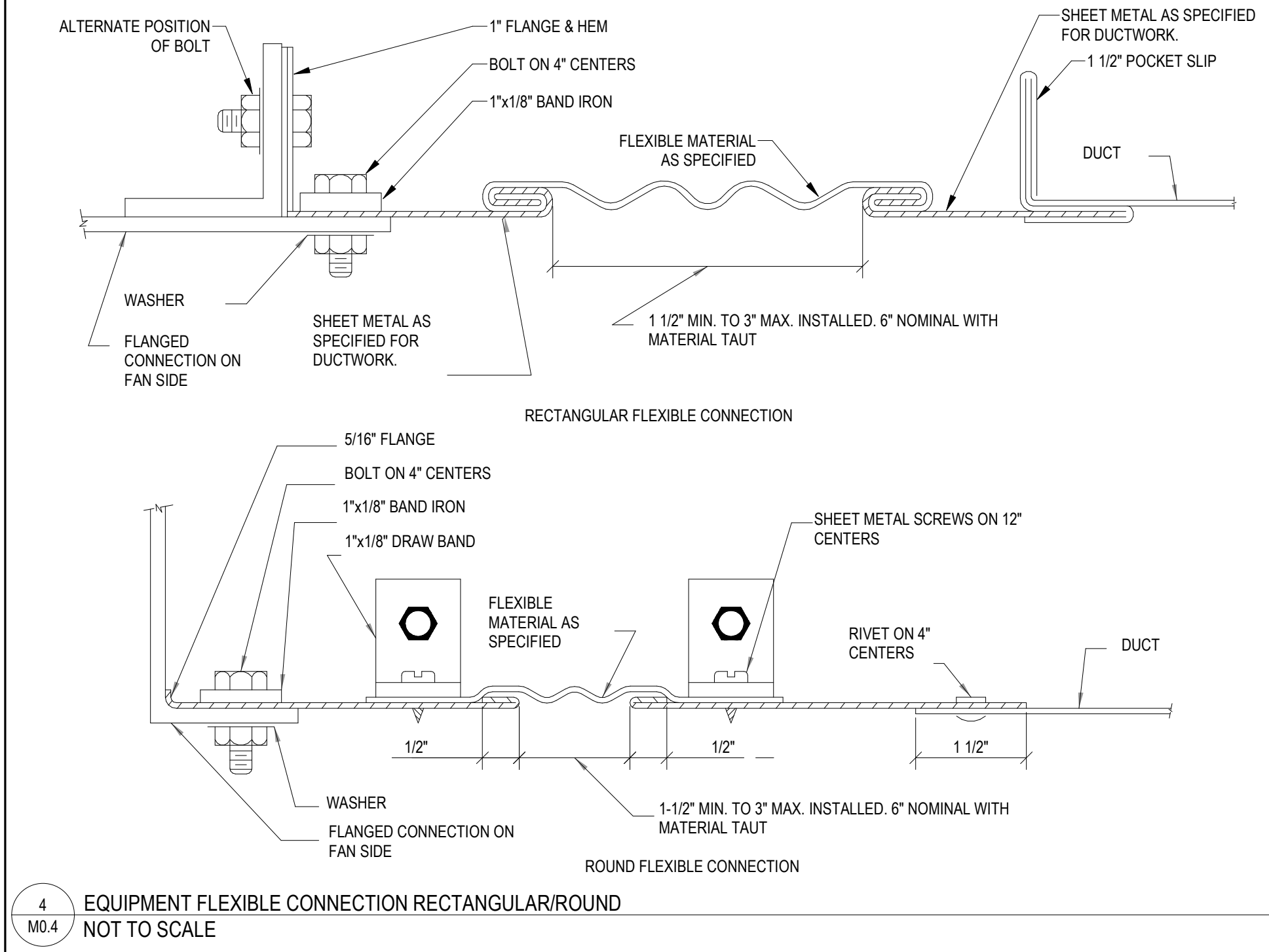
1 M0.4 SPIN COLLAR FLEXIBLE DUCT CONNECTOR WITH DAMPER - LOW PRESSURE NOT TO SCALE



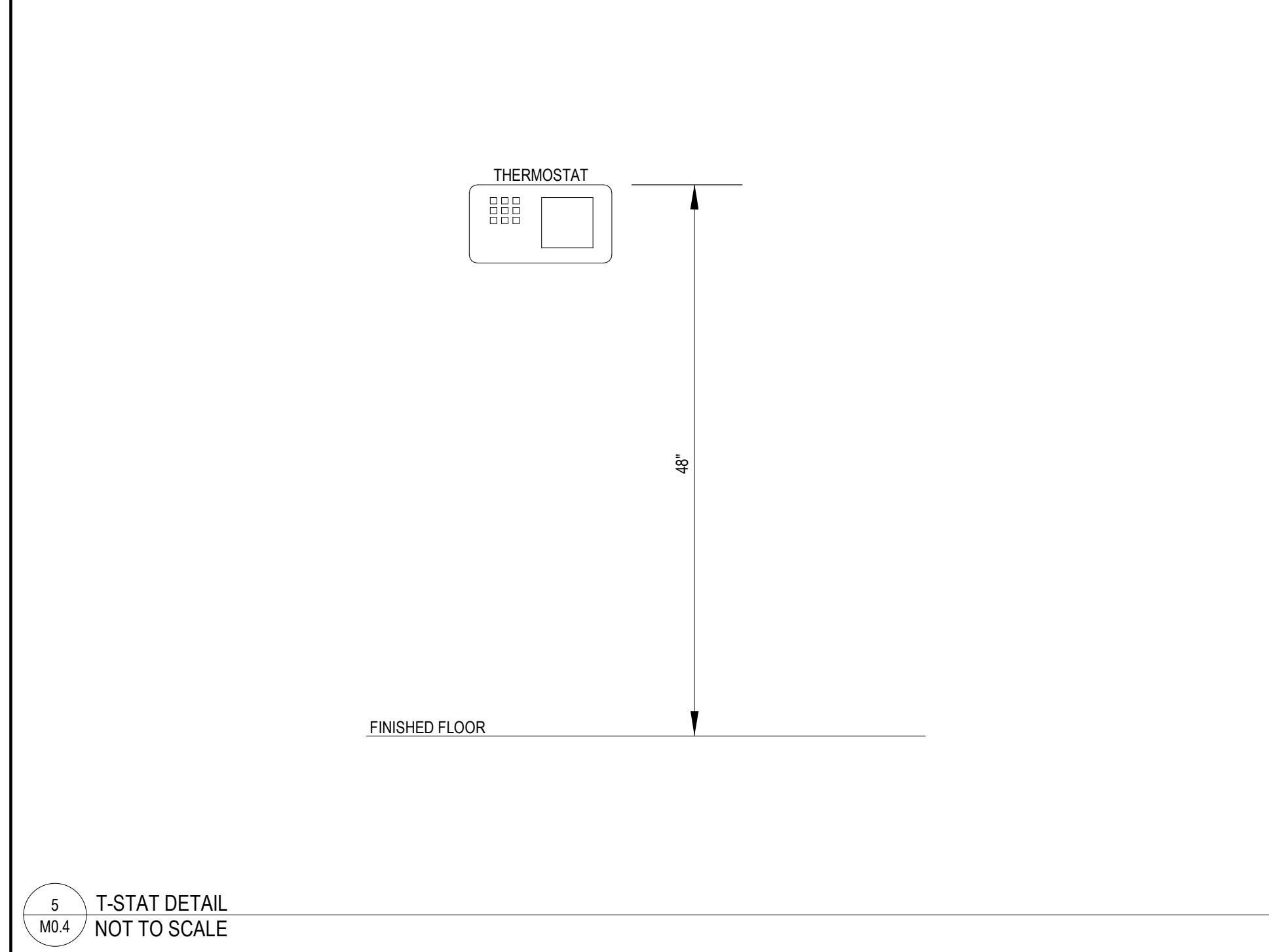
2 M0.4 SPIN COLLAR FLEXIBLE DUCT CONNECTOR WITH DAMPER AND WITH LONG RADIUS ELBOW - LOW PRESSURE NOT TO SCALE



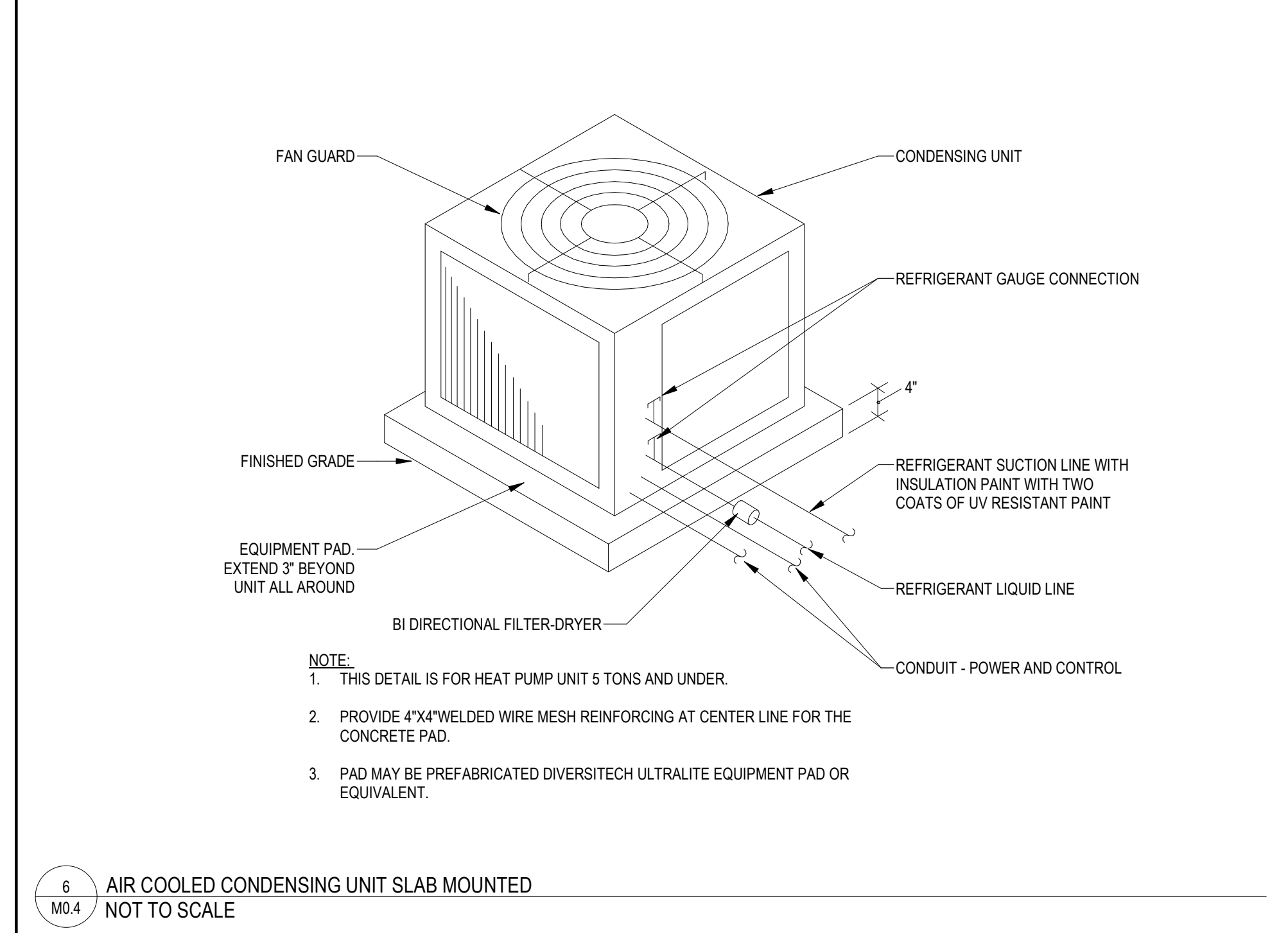
3 M0.4 TYPICAL BRANCH TAKEOFF FITTING DETAIL NOT TO SCALE



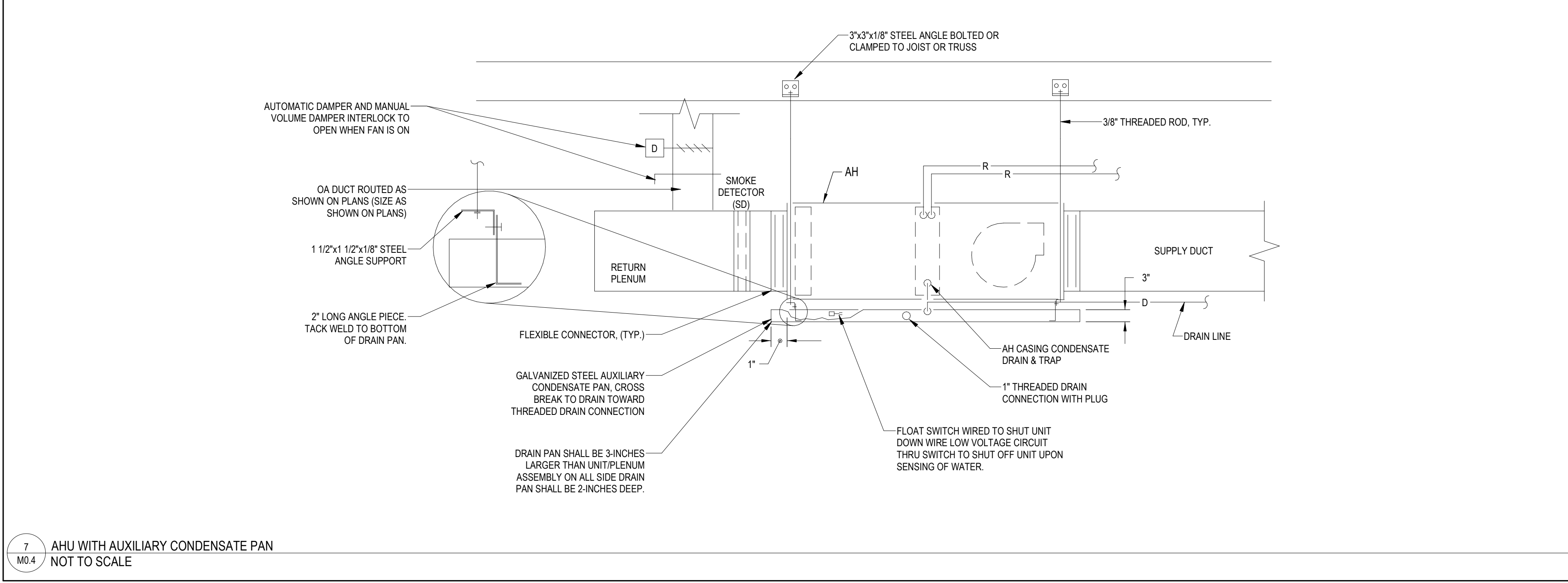
4 M0.4 EQUIPMENT FLEXIBLE CONNECTION RECTANGULAR/ROUND NOT TO SCALE



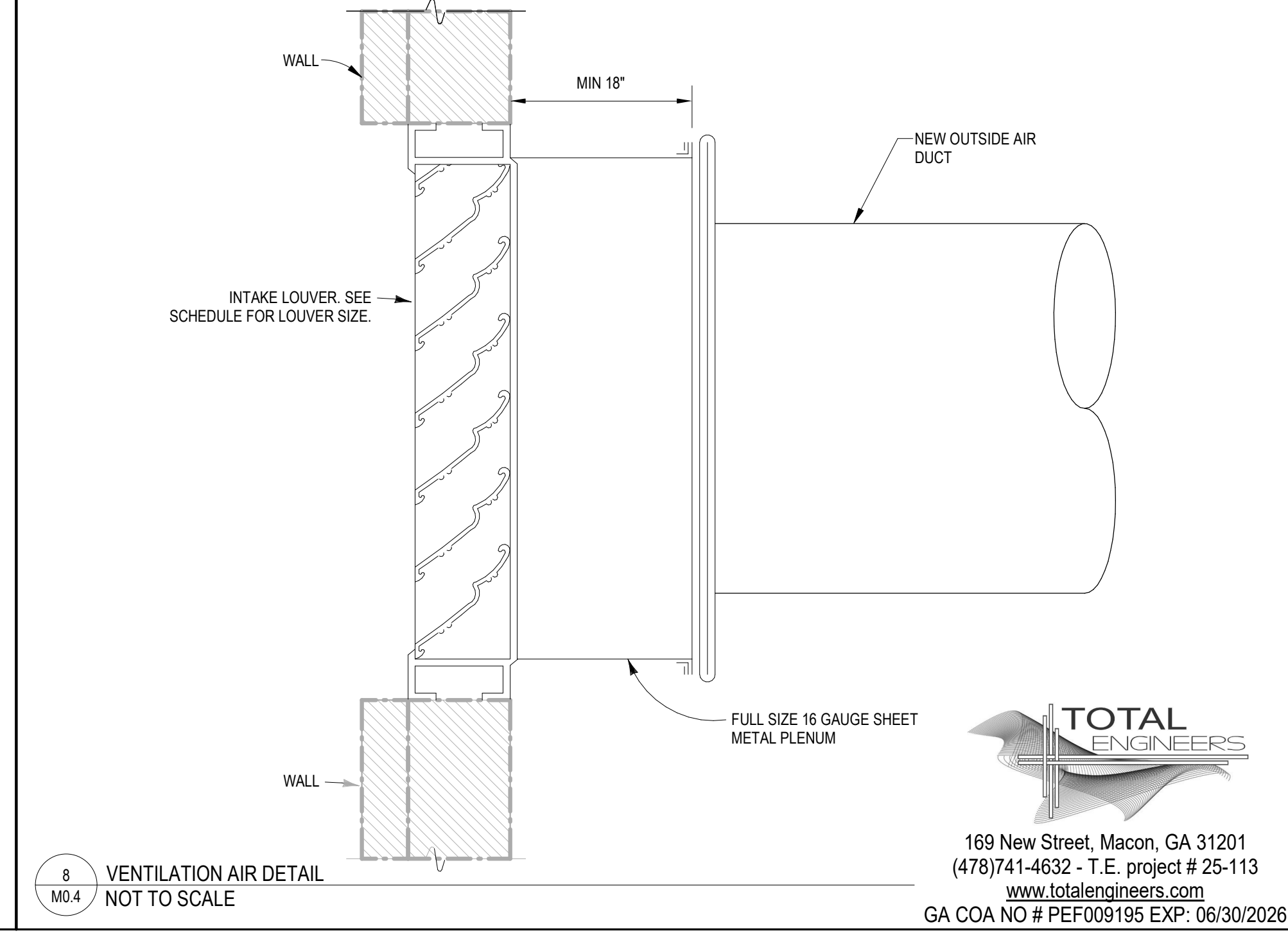
5 M0.4 T-STAT DETAIL NOT TO SCALE



6 M0.4 AIR COOLED CONDENSING UNIT SLAB MOUNTED NOT TO SCALE



7 M0.4 AHU WITH AUXILIARY CONDENSATE PAN NOT TO SCALE



8 M0.4 VENTILATION AIR DETAIL NOT TO SCALE

C:\Users\Total Engineers\Documents\M_P24_TIE 25-113_1em272720.rvt 3/4/2026 3:06:05 PM