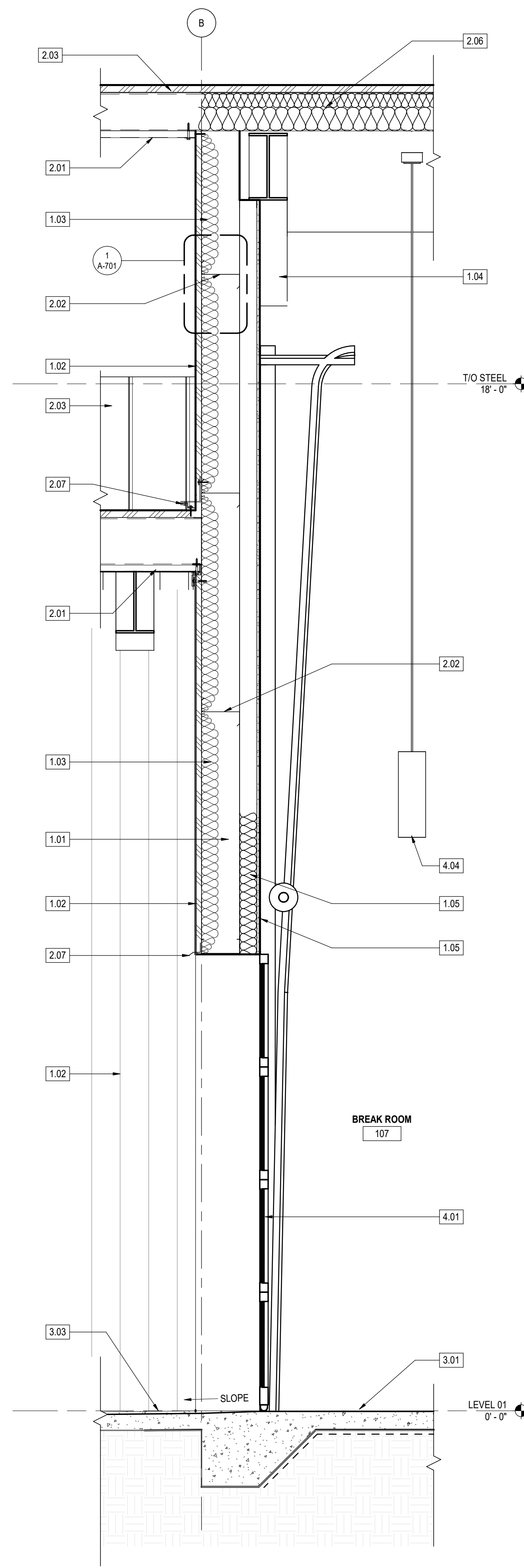
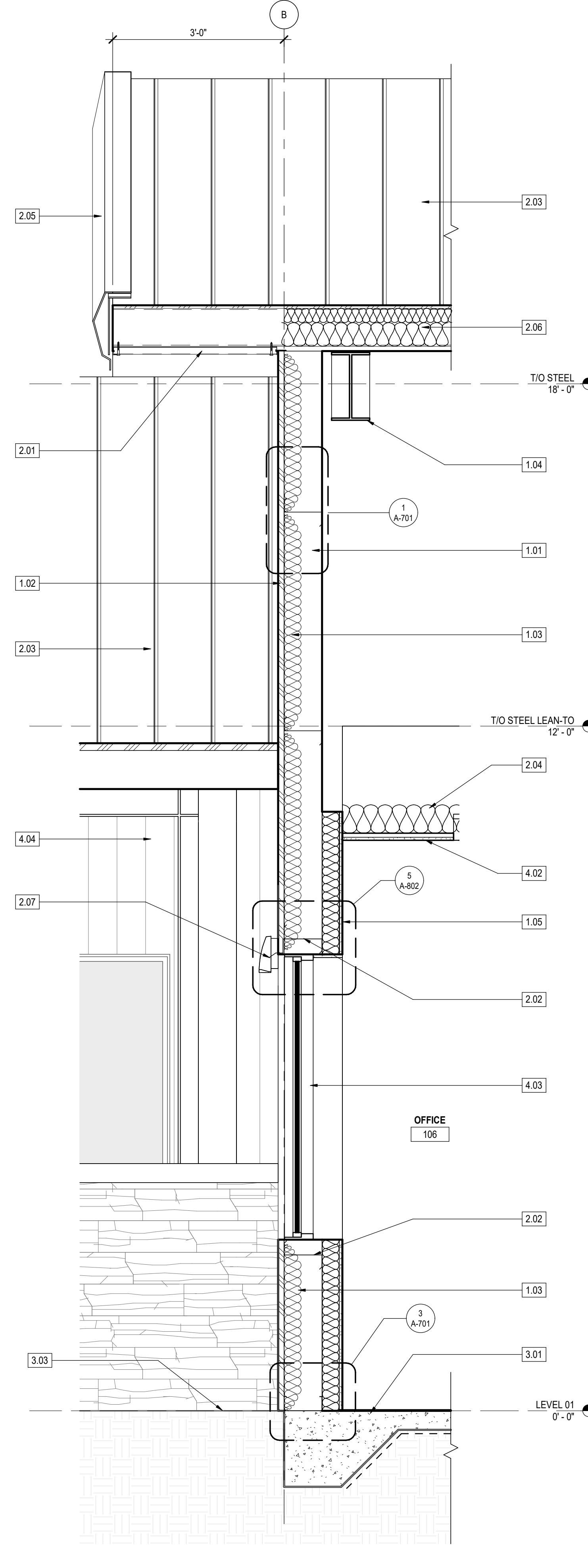


**3** WALL SECTION 6  
A-412 | 3/4" = 1'-0"



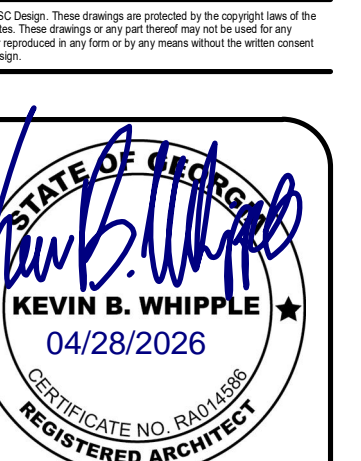
**2** WALL SECTION 5  
A-412 | 3/4" = 1'-0"



**1** WALL SECTION 4  
A-412 | 3/4" = 1'-0"

**WALL SECTION KEYNOTES**

- 1.01 8" GIRT WALL; PROVIDED BY PEMB SUPPLIER.
- 1.02 VERTICAL PBR WALL PANEL; PROVIDED BY PEMB SUPPLIER.
- 1.03 FACED R-13 METAL BUILDING INSULATION AT EXTERIOR WALLS; PROVIDED BY PEMB SUPPLIER
- 1.04 MAIN FRAME; SEE PEMB DRAWINGS
- 1.05 5/8" GWB ON THE INTERIOR SIDE OVER METAL STUD WALL W/ R-13 BATT INSULATION
- 1.06 WIND BENT FRAME; SEE PEMB DRAWINGS FOR FURTHER INFORMATION
  
- 2.01 SOFFIT LINER PANEL; BASIS OF DESIGN MBCI ARTISAN L12 WITH BEAD; PROVIDED BY PEMB SUPPLIER
- 2.02 8" Z- PURLINS; SEE PEMB DRAWINGS FOR FURTHER INFORMATION.
- 2.03 STANDING SEAM METAL ROOF PROVIDED BY PEMB SUPPLIER
- 2.04 6" SOUND BATT INSULATION ABOVE SCHEDULED CEILING.
- 2.05 GABLE TRIM WITH RAKE ANGLE ANCHORED TO END OF PURLINS; PROVIDED BY PEMB SUPPLIER
- 2.06 BLACK SIMPLE SAVER ROOF INSULATION SYSTEM (R-25 + R-19); PROVIDED BY PEMB SUPPLIER
- 2.07 PROVIDE FLASHING, TYP.
- 2.08 GUTTER AND DOWNSPOUT PROVIDED BY PEMB SUPPLIER. SURFACE DRAIN WITH SPLASHBLOCK
  
- 3.01 CONCRETE SLAB ON GRADE OVER PREPARED SUBGRADE AND VAPOR BARRIER; SEE STRUCTURAL.
- 3.02 CONCRETE FOUNDATION / FOOTING; SEE STRUCTURAL.
- 3.03 EXTERIOR PAVING / HARDSCAPE / SOFTSCAPE; SEE CIVIL DRAWINGS.
  
- 4.01 SCHEDULED DOOR; SEE A-800 FOR FURTHER INFORMATION
- 4.02 SCHEDULED CEILING; SEE A-201 FOR FURTHER INFORMATION
- 4.03 SCHEDULED WINDOW; SEE A-800 FOR FURTHER INFORMATION
- 4.04 SCHEDULED LIGHT FIXTURE; SEE ELECTRICAL SHEETS FOR FURTHER INFORMATION
  
- 5.01 SIGNAGE; PERMITTED SEPARATELY
- 5.02 INTERIOR LINER PANEL PROVIDED BY PEMB SUPPLIER



PROJECT NUMBER: 25-038

REVISIONS	NO.	DATE	ISSUE

**PEACH STATE CONSTRUCTION COMPANY OFFICE**

285 PIPER ROAD  
CANTON, GA 30115  
NEWTON COUNTY, GEORGIA

WALL SECTIONS

**A-412**

ISSUED FOR CONSTRUCTION