

PROJECT NUMBER: TE 25-113

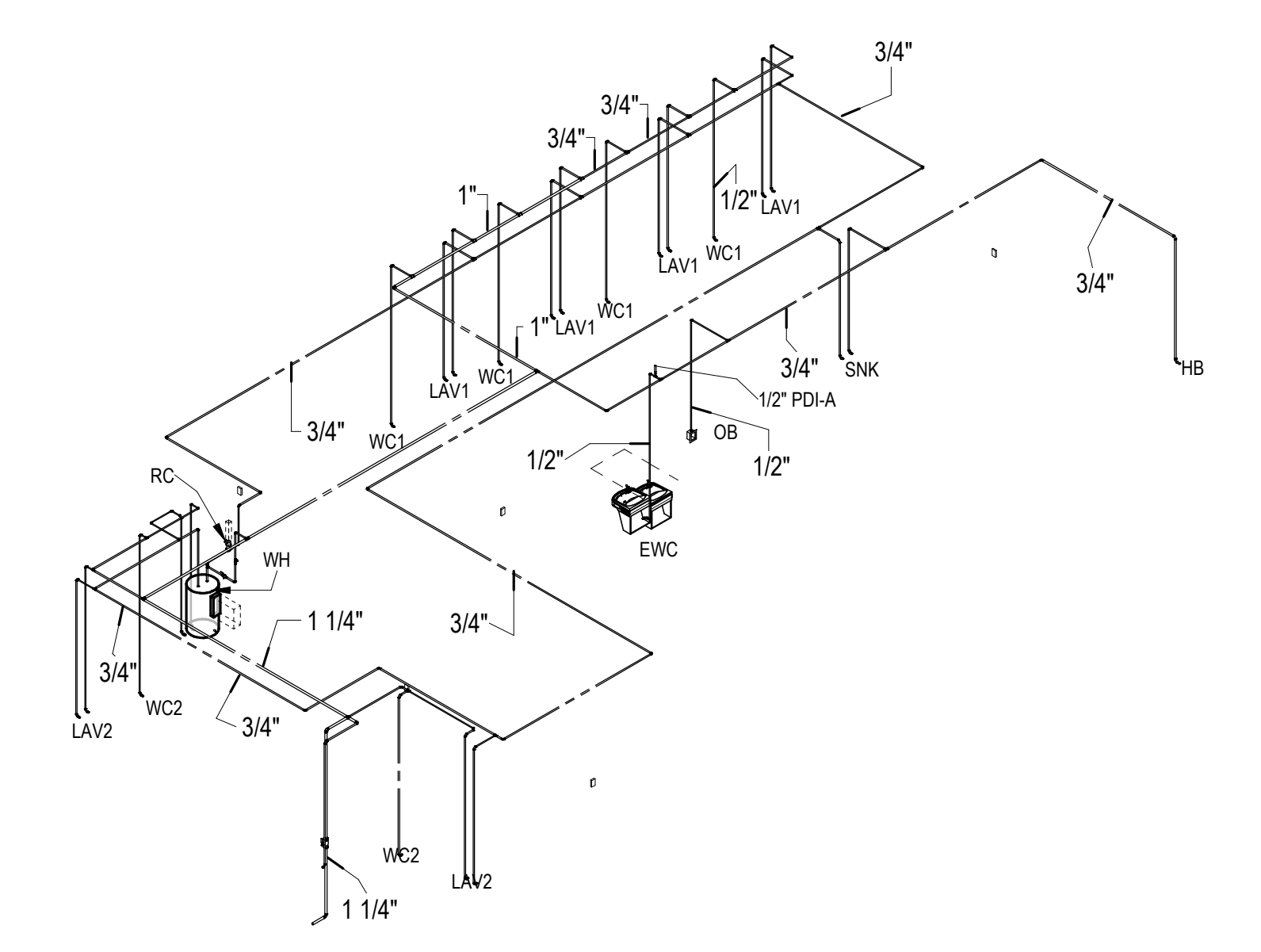
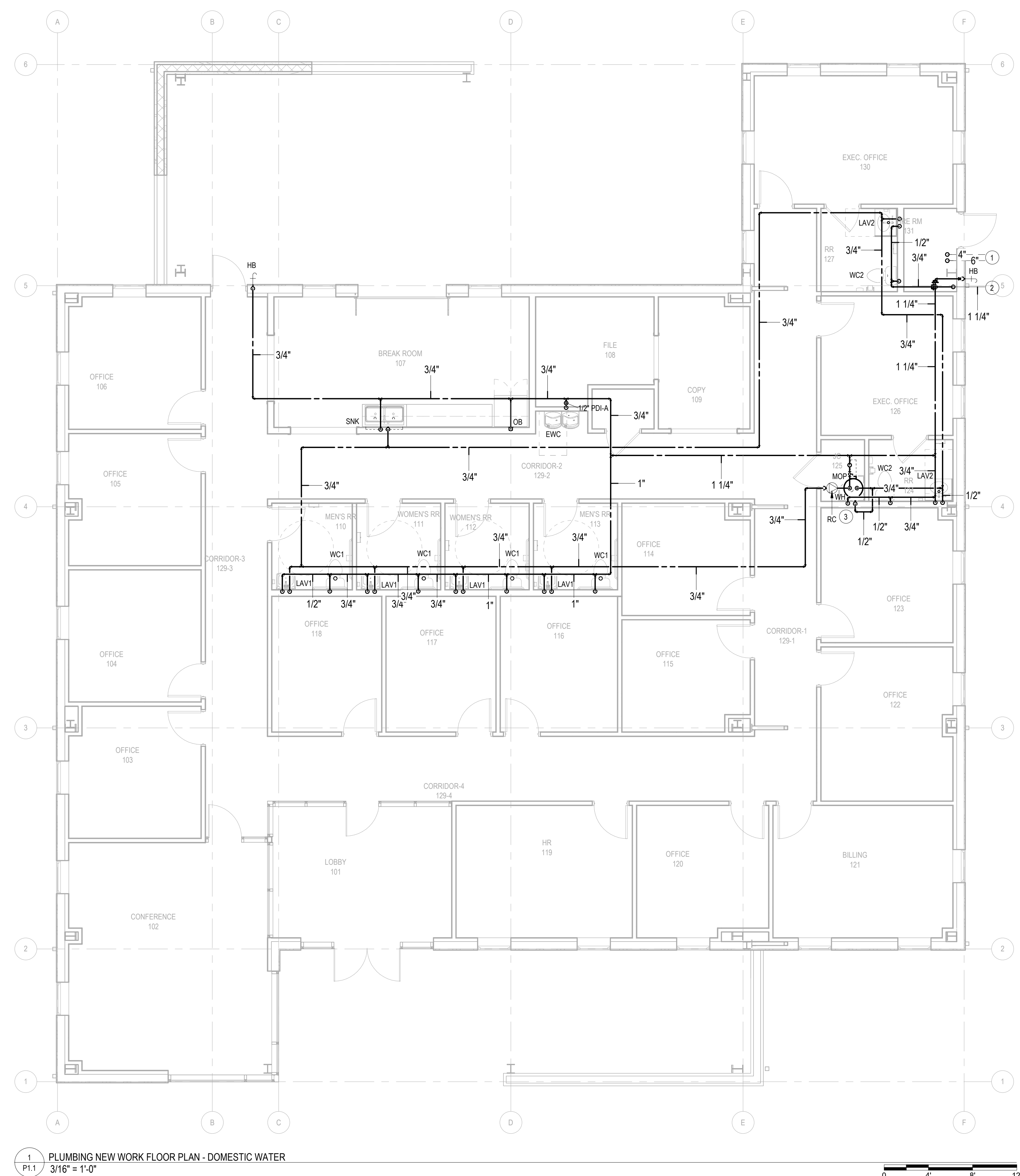
REVISIONS	NO.	DATE	ISSUE

**PEACH STATE CONSTRUCTION COMPANY OFFICE**  
 PIPER ROAD - NEWTON COUNTY, GEORGIA

PLUMBING NEW WORK FLOOR PLAN-DOMESTIC WATER

**P1.1**  
 CONSTRUCTION DOCUMENTS

#	NEW WORK NOTES - P1.1
NOTE NUMBER	NOTE TEXT
1	6" FIRE SPRINKLER FROM CITY SUPPLY & 4" FIRE TO REMOTE F.D.C REFER TO CIVIL FOR CONTINUATION.
2	1-1/4" DOMESTIC WATER SUPPLY. REFER TO CIVIL FOR CONTINUATION.
3	REFER TO WATER HEATER DETAIL PROVIDED.



2 WATER RISER  
 P1.1

1 PLUMBING NEW WORK FLOOR PLAN - DOMESTIC WATER  
 3/16" = 1'-0"

