

### LIGHTING FIXTURE SCHEDULE

A	2 FT. X 4 FT. ECONOMY RECESSED LOW PROFILE ARCHITECTURAL TROFFER WITH ACRYLIC CENTER LENS AND MATTE WHITE POWDER PAINT REFLECTOR; STANDARD 0-10 DIMMING; FIELD SELECTABLE LUMEN AND COLOR TEMP. PROVIDE 10 WATT BATTERY WHERE INDICATED ON THE PLANS.  LAMPS: LED, 6000 LUMENS, 49 WATTS, 3500 DEGREE K DRIVER: UNV. VOLT	LITHONIA "STAK" SER., COLUMBIA "CCL" SER., METALUX "ACHEVA" SER., H.E. WILLIAMS "FT" SER.
B	2 FT. X 2 FT. ECONOMY RECESSED LOW PROFILE ARCHITECTURAL TROFFER WITH ACRYLIC CENTER LENS AND MATTE WHITE POWDER PAINT REFLECTOR; STANDARD 0-10 DIMMING; FIELD SELECTABLE LUMEN AND COLOR TEMP. PROVIDE 10 WATT BATTERY WHERE INDICATED ON THE PLANS.  LAMPS: LED, 5000 LUMENS, 41 WATTS, 3500 DEGREE K DRIVER: UNV. VOLT	LITHONIA "STAK" SER., COLUMBIA "CCL" SER., METALUX "ACHEVA" SER., H.E. WILLIAMS "FT" SER.
C	COMMERCIAL GRADE DOWNLIGHT, RECESSED SELF FLANGED, 6 IN. ROUND APERTURE, SPECULAR REFLECTOR FINISH; ACCESS FROM BELOW OR ABOVE CEILING; STANDARD 0-10 DIMMING. PROVIDE 10 WATT BATTERY WHERE INDICATED ON THE PLANS.  LAMPS: LED, 2000 LUMENS, 23 WATTS, 3500 DEGREE K DRIVER: UNV. VOLT	LITHONIA "LDN6" SER., HALO COMMERCIAL "HC6" SER., PRESCOLITE "LFR-6RD" SER., LIGHTOLIER "6N-C6L" SER.
D1	6 FT. DECORATIVE PENDANT, ALUMINUM CONSTRUCTION; STANDARD 0-10 DIMMING. COORDINATE FINISH WITH OWNER/ARCHITECT.  LAMPS: LED, 6200 LUMENS, 53 WATTS, 3000 DEGREE K DRIVER: UNV. VOLT	MARSET "AMBROSIA PRO 180" SER., OR ARCHITECT APPROVED EQUAL
D2	3 FT. DECORATIVE PENDANT, ALUMINUM CONSTRUCTION; STANDARD 0-10 DIMMING. COORDINATE FINISH WITH OWNER/ARCHITECT.  LAMPS: LED, 3100 LUMENS, 30 WATTS, 3000 DEGREE K DRIVER: UNV. VOLT	MARSET "AMBROSIA PRO 120" SER., OR ARCHITECT APPROVED EQUAL
E	6 IN. ROUND COMMERCIAL GRADE CYLINDER, PENDANT MOUNTED; STANDARD 0-10 DIMMING. COORDINATE COLOR AND STEM LENGTH WITH ARCHITECT. PROVIDE MOUNTING BRACKET OR CANOPY AS REQUIRED.  LAMPS: LED, 2000 LUMENS, 23 WATTS, 3500 DEGREE K DRIVER: UNV. VOLT	LITHONIA "LDN6CYL" SER., HALO COMMERCIAL "HC6S" SER., RAYON "RFL-6" SER., LIGHTOLIER "C6 CYLINDER" SER.
F	ARCHITECTURAL PENDANT TO BE SELECTED BY OWNER. PROVIDE \$1200 ALLOWANCE FOR LIGHTING FIXTURE ONLY. COST OF INSTALLATION MUST ALSO BE INCLUDED SEPARATELY FROM ALLOWANCE. COORDINATE SUSPENSION HEIGHT WITH OWNER/ARCHITECT.  LAMPS: LED, 100 WATTS MAX DRIVER: UNV. VOLT	TBD
G	4 FT. LED WALL FIXTURE, DIE FORMED STEEL HOUSING, SURFACE MOUNTED HORIZONTAL, INJECTION MOLDED FROST LENS; 0-10 DIMMING STANDARD. PROVIDE 10-WATT EMERGENCY BATTERY PACK WHERE INDICATED ON THE DRAWINGS.  LAMPS: LED, 4000 LUMENS, 40 WATTS, 3500 DEGREE K DRIVER: UNV. VOLT	LITHONIA "WL4" SER., METALUX "SWLED" SER., COLUMBIA "ESL" SER., H.E. WILLIAMS "SLF" SER.
H	2 FT. LONG, ROUND LINEAR VANITY FIXTURE, 4 IN. PROJECTION INCLUDING MOUNTING BRACKET; FROSTED ACRYLIC DIFFUSER PROVIDING SOFT EVEN ILLUMINATION; BRUSHED NICKEL (FINISH SELECTED BY ARCHITECT) FINISH END CAPS, SOLID BACK PLATE MOUNTING.  LAMPS: LED, 2000 LUMENS, 21 WATTS, 3500 DEGREE K DRIVER: UNV. VOLT	BROWNLEE "ZOOM-RD" SER., LUMINII "EXPV" SER., INDESSA "342-ASPIRE" SER.
OA	COMMERCIAL GRADE DOWNLIGHT, RECESSED SELF FLANGED, 6 IN. ROUND APERTURE, SPECULAR REFLECTOR FINISH; ACCESS FROM BELOW OR ABOVE CEILING; WET LOCATION LISTED; STANDARD 0-10 DIMMING.  LAMPS: LED, 2000 LUMENS, 23 WATTS, 4000 DEGREE K DRIVER: UNV. VOLT	LITHONIA "LDN6" SER., HALO COMMERCIAL "HC6" SER., PRESCOLITE "LFR-6RD" SER., LIGHTOLIER "6N-C6L" SER.
OB	ARCHITECTURAL WALL PACK WITH DIE-CAST ALUMINUM HOUSING; TYPE 4 DISTRIBUTION; WET LOCATION LISTED. COORDINATE FINISH WITH OWNER/ARCHITECT. COORDINATE MOUNTING HEIGHT WITH ARCHITECTURAL. PROVIDE 10-WATT EMERGENCY BATTERY PACK WHERE INDICATED ON THE DRAWINGS.  LAMPS: LED, 5300 LUMENS, 41 WATTS, 4000 DEGREE K DRIVER: UNV. VOLT	LITHONIA "WDGE2" SER., MCGRAW-EDISON "IST" SER., BEACON "TRP" SER., GARDCO "101L" SER.
OC	ARCHITECTURAL WET LOCATION SCONCE TO BE SELECTED BY OWNER. PROVIDE \$750 ALLOWANCE FOR LIGHTING FIXTURE ONLY. COST OF INSTALLATION MUST ALSO BE INCLUDED SEPARATELY FROM ALLOWANCE.  LAMPS: LED, 60 WATTS MAX DRIVER: UNV. VOLT	TBD
OD	3-BLADE 52 IN. FAN WITH NO LIGHT KIT; WET LOCATION LISTED. COORDINATE FINISH WITH OWNER/ARCHITECT.  LAMPS: N/A DRIVER: UNV. VOLT	MODERN FORMS "ROBOTO 52" SER., OR APPROVED EQUAL BY HUNTER, MINKA AIRE
EX	LED THERMOPLASTIC EXIT, IMPACT/SCRATCH RESISTANT AND CORROSION PROOF; TOP, END, OR BACK MOUNTING STANDARD. UNIVERSAL FIELD SELECTABLE SINGLE OR DOUBLE FACE, FIELD SELECTABLE RED OR GREEN ILLUMINATION, WHITE / BLACK ENCLOSURE. (PROVIDE 90 MIN. BACK-UP BATTERY)  LAMPS: LED, 3 WATTS DRIVER: UNV. VOLT	LITHONIA "LQM" SER., SURELITES "LPX" SER., COMPASS "CE" SER., OR EQUAL BY BEGHELLI
EM	LED 2 HEAD EMERGENCY UNIT, ROUND HEAD, LOW PROFILE CONTEMPORARY DESIGN WITH THERMOPLASTIC HOUSING, IMPACT RESISTANT, DAMP LOCATION LISTED. (PROVIDE 90 MIN. BACK-UP BATTERY)  LAMPS: LED (2), 3 WATTS DRIVER: UNV. VOLT	LITHONIA "ELM2L" SER., COMPASS "CU2" SER., SURELITES "SL17" SER., EVENLITE "TCL" SER.
EG	EXTERIOR ARCHITECTURAL STYLED LOW PROFILE LED EMERGENCY LIGHTING UNIT, SELF DIAGNOSTICS STANDARD, WET LOCATION WITH FULLY GASKETED HOUSING AND -20C TO 50C OPERATION, PRISMATIC POLYCARB REFRACTOR, BRONZE / BLACK SELECTED BY ARCHITECT. (PROVIDE 90 MIN. BACK-UP BATTERY)  LAMPS: LED, 3 WATTS DRIVER: UNV. VOLT	LITHONIA "AFO" SER., MULE "MAKO" SER., SPITZER "EWS" SER., COMPASS "CUW" SER., H.E. WILLIAMS "EMER" SER.

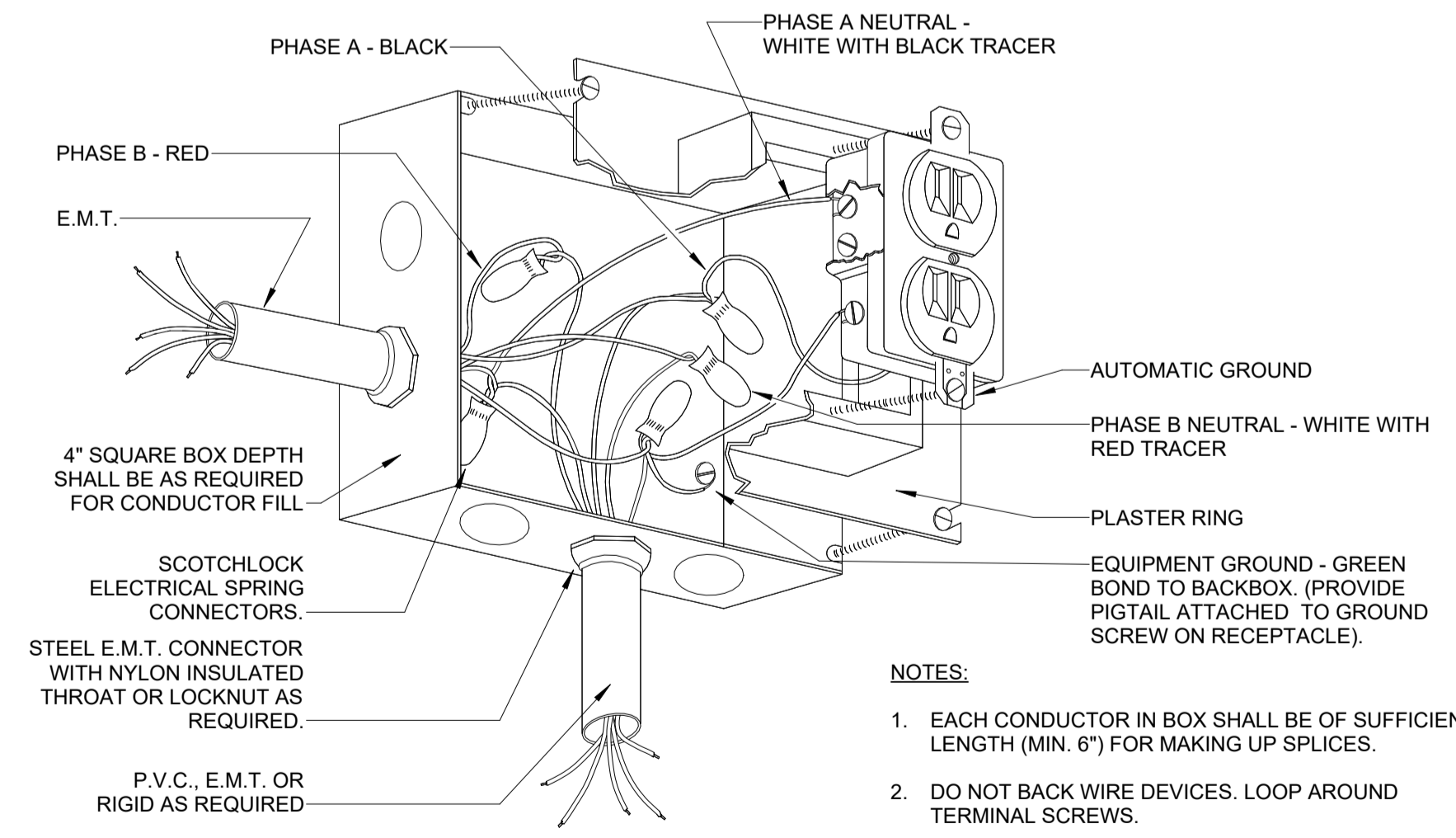
NOTES:  
 1. CONTRACTOR TO VERIFY ALL VOLTAGES, GRID AND CEILING TYPES WITH THE ARCHITECT AND COORDINATE FIXTURE DIMENSION SIZE TO ENSURE A PROPER FIT IN ALL CEILING TYPES PRIOR TO ORDERING.  
 2. ALL LUMENS LISTED ARE DELIVERED LUMENS. ALL EQUALS TO SPECIFIED FIXTURES SHALL NOT BE ANY LOWER THAN 5% OF SPECIFIED LUMENS. WATTAGE SHALL NOT BE HIGHER THAN 15% OF SPECIFIED WATTAGE.  
 3. LISTING OF MANUFACTURERS DOES NOT EQUAL AUTOMATIC APPROVAL. ALL CHARACTERISTICS NOTED IN DESCRIPTION SECTION MUST BE MET IN ORDER TO BE APPROVED. WHERE VENDOR/REP. DOES NOT HAVE ONE MANUFACTURER LISTED, PRIOR APPROVAL IS REQUIRED TO BE SUBMITTED TO ENGINEER TEN (10) DAYS PRIOR TO BID.  
 4. PROVIDE UNSWITCHED HOT TO EXIT SIGNS, EMERGENCY FLOOD LIGHTS AND EXTERIOR BUILDING EGRESS LIGHTING.

### LEGEND

	LIGHTING AND POWER
	CONDUIT RUN CONCEALED ABOVE CEILING OR IN WALL CONTAINING 3 NUMBER 12 CONDUCTORS UNLESS SHOWN OTHERWISE. HASH MARKS, IF SHOWN, INDICATE QUANTITY OF NUMBER 12 CONDUCTORS. WHERE DRAWING SPACE PROHIBITS HASH MARKS BEING SHOWN REFER TO CIRCUIT NUMBERS AND PROVIDE REQUIRED NUMBER OF CONDUCTORS PER CIRCUIT TYPE.
	CONDUIT RUN CONCEALED IN OR BELOW FLOOR SLAB, OR UNDERGROUND.
	HOMERUN TO PANELBOARD, LETTER OR LETTERS INDICATE PANELBOARDS, NUMBERS INDICATE CIRCUIT NUMBERS.
	EXPOSED CONDUIT RUN.
	L.E.D. LIGHTING FIXTURE. SEE FIXTURE SCHEDULE FOR DIMENSIONS AND MOUNTING TYPE.
	EMERGENCY L.E.D. LIGHTING FIXTURE. SEE FIXTURE SCHEDULE FOR DIMENSIONS, MOUNTING TYPE AND BATTERY PACK INFORMATION (IF APPLICABLE).
	L.E.D. TROFFER FIXTURE. SEE FIXTURE SCHEDULE FOR DIMENSIONS AND MOUNTING TYPE.
	EMERGENCY L.E.D. TROFFER. SEE FIXTURE SCHEDULE FOR DIMENSIONS, MOUNTING TYPE AND BATTERY PACK INFORMATION (IF APPLICABLE).
	L.E.D. LIGHTING FIXTURE, SURFACE WALL BRACKET MOUNTED. MOUNTING HEIGHT AS NOTED.
	L.E.D. LIGHTING FIXTURE, SURFACE WALL BRACKET MOUNTED. MOUNTING HEIGHT AS NOTED. SEE FIXTURE SCHEDULE FOR BATTERY PACK INFORMATION (IF APPLICABLE).
	EXIT LIGHT.
	EMERGENCY PACK FIXTURE.
	DUPLEX CONVENIENCE OUTLET, +18" TO CENTER LINE OF OUTLET UNLESS OTHERWISE NOTED. 5" INDICATES THE CIRCUIT NUMBER.
	DUPLEX CONVENIENCE OUTLET MOUNTED ABOVE COUNTER, AT +46" TO CENTERLINE OF OUTLET.
	DUPLEX CONVENIENCE OUTLET, GFI TYPE, +18" TO CENTER LINE UNLESS OTHERWISE NOTED. "WP" WHERE SHOWN INDICATES WEATHER-RESISTENT DEVICE WITH METAL IN-JUSE WEATHERPROOF COVER.
	DUPLEX CONVENIENCE OUTLET, GFI TYPE, MOUNTED ABOVE COUNTER AT +46" TO CENTERLINE OF RECEPTACLE UNLESS NOTED OTHERWISE.
	QUADRUPLEX RECEPTACLE, +18" TO CENTER LINE OF OUTLET UNLESS OTHERWISE NOTED.
	FLUSH FLOOR BOX WITH QUADRUPLEX RECEPTACLE AND DATA/VOICE OUTLET. PROVIDE WALKER 880 OMNIBOX SERIES TWO GANG CAST IRON OR PLASTIC FLOOR BOX WITH BRASS FLANGE AND COVERPLATE.
	SINGLE POLE TOGGLE SWITCH, +46" TO CENTER LINE MOUNTING HEIGHT.
	THREE OR FOUR WAY SWITCH AS INDICATED. +46" TO CENTER LINE MOUNTING HEIGHT.
	LED DECORA STYLE DIMMER WITH ROCKER ON/OFF SWITCH AND SLIDE DIMMER ON SIDE OF ROCKER, 0-10VDC CAPABLE DIMMER +46" MOUNTING HEIGHT. LUTRON "DIVA 0-10V" OR EQUAL BY LEVITON, WATSTOPPER, HUBBELL, OR COOPER. (NO ADDITIONAL POWER PACK REQUIRED), DIVISION 26 SHALL PROVIDE ALL ADDITIONAL CONDUCTORS TO ALL FIXTURES CONNECTED FOR A PROPER 0-10VDC OPERATION. GRAY FINISH.
	PANELBOARD, SEE SCHEDULE.
	DISCONNECT SWITCH, SIZE AS NOTED ON DRAWINGS. FUSED PER MANUFACTURER'S NAME PLATE DATA OF EQUIPMENT SERVED.
	SINGLE OR DOUBLE POLE, MINIMUM 20 AMP MOTOR RATED ENCLOSED SWITCH WITH "LOCK-OUT" OPTION. MOUNTED NEAR EQUIPMENT BEING SERVED.
	MOTOR.
	OCCUPANCY SENSORS
	SWITCH, WALL MOUNTED OCCUPANCY SENSOR (WATTSTOPPER PW-100 OR EQUAL), +46" TO CENTER LINE MOUNTING HEIGHT.
	DUAL TECHNOLOGY 360° OCCUPANCY SENSOR, CEILING MOUNTED, INFRARED/ULTRASONIC (WATTSTOPPER "DT" SERIES OR EQUAL). PROVIDE ALL NECESSARY COMPONENTS TO INSURE PROPER OPERATION (POWER PACKS, SLAVE PACKS, ETC.)
	TELEPHONE / DATA SYSTEMS
	PLYWOOD BACKBOARD "T.B." INDICATES TELECOMMUNICATIONS BOARD.
	COMBINATION VOICE/DATA OUTLET, +18" TO CENTER LINE OF OUTLET UNLESS NOTED OTHERWISE. STUB UP 1" TO CEILING SPACE ABOVE.
	DATA OUTLET, +18" TO CENTER LINE OF OUTLET UNLESS NOTED OTHERWISE. STUB UP 1" TO CEILING SPACE ABOVE.
	DATA OUTLET, (WIRELESS ACCESS POINT), +6" ABOVE ACCESSIBLE CEILING UNLESS NOTED OTHERWISE. WHERE THERE IS NO CEILING OR HIGH CEILING, WALL MOUNT AT +11' A.F.F.
	INTRUSION ALARM SYSTEM (RACEWAY, BOXES, AND PULL STRING ONLY)
	INTRUSION ALARM DETECTOR, INFRARED, CEILING MOUNTED UNIT. 50°-0° COVERAGE UNLESS OTHERWISE NOTED.
	C.C.T.V. SYSTEM (RACEWAY, BOXES, AND PULL STRING ONLY)
	CCTV SYSTEM CAMERA, WALL OR CEILING MOUNTED. NUMBER DESIGNATES CAMERA NUMBER, "WP" INDICATES WEATHERPROOF.
	ACCESS CONTROLS SYSTEM (RACEWAY, BOXES, AND PULL STRING ONLY)
	ACCESS CONTROL KEYPAD LOCATION.
	DOOR CONTACT POSITION SENSOR LOCATION. PROVIDE SINGLE GANG BOX BY DIVISION 16 AT DOOR FRAME ON SECURE SIDE OF DOOR. COORDINATE EXACT LOCATION WITH ACCESS CONTROL SYSTEM VENDOR. PROVIDE 3/4", WITH PULLSTRING FROM BOX TO STUB-OUT 6" ACCESSIBLE CEILING AT DOOR.
	FIRE ALARM (120V STAND ALONE)
	FIRE ALARM DUCT SMOKE DETECTOR LOCATED IN HVAC SUPPLY AIR DUCT. PROVIDE IN UNITS 2000 CFM AND GREATER. STAND ALONE 120V UNIT. UNIT SHALL COME COMPLETE WITH SAMPLING TUBE AND REMOTE TEST/RESET STATION LOCATED IN ELECTRICAL CLOSET IN AN ACCESSIBLE LOCATION. DETECTOR SHALL SHUT DOWN UNIT UPON ACTIVATION.

### GENERAL NOTES:

- DO NOT SCALE DRAWINGS TO LOCATE EQUIPMENT OR OUTLETS.
- MOUNTING HEIGHTS AS INDICATED ON THE DRAWINGS SHALL BE FROM THE FINISHED FLOOR TO THE CENTER LINE OF THE OUTLET BOX.
- THE ELECTRICAL DRAWINGS ARE ONLY A PART OF THE CONTRACT DOCUMENTS. ALL OF THE DRAWINGS AND SPECIFICATIONS MUST BE REVIEWED FOR THEIR INTERRELATIONSHIP AND REQUIRED COORDINATION BETWEEN DISCIPLINES.
- 112 SYMBOL INDICATING ROOM OR SPACE NUMBER.
- IN AREAS WHERE COMPUTER OUTLETS AND TELEPHONE OUTLETS ARE LOCATED BENEATH A WINDOW, AND WINDOW PREVENTS THE ROUTING OF CONDUIT UP TO CEILING SPACE, CONDUIT SHALL BE ROUTED TO A WALL WHICH ALLOWS CONDUIT TO RISE UP TO CEILING SPACE.
- ALL CONDUIT ROUTED FROM DISCONNECT TO EXTERIOR HVAC UNITS SHALL BE ROUTED UNDERGROUND. TURN UP ADJACENT TO UNIT AND MAKE TRANSITION TO SEALTITE TO SERVE UNIT. CONDUIT SHALL BE ROUTED CONCEALED IN WALL.
- ALL FLUSH RECESSED OUTLET BOXES SHALL BE INSTALLED SUCH THAT FRONT EDGE OF BOX WILL NOT BE SET BACK OF THE FINISHED SURFACE MORE THAN 1/4" IN ORDER TO COMPLY WITH N.E.C. 314-20. SUPPORT OF OUTLET BOX BY RECEPTACLE AND COVERPLATE IS NOT ACCEPTABLE.
- ALL CONDUIT, OUTLET BOXES, AND LOW VOLTAGE CABLING SHALL BE APPROPRIATELY SUPPORTED THROUGHOUT THE PROJECT. SUPPORT OF THESE ITEMS BY CEILING GRID OR GRID SUPPORT WIRES IS NOT ACCEPTABLE.
- ALL RECEPTACLES LOCATED WITHIN 6'-0" TO THE EDGE SINK OR OTHER WATER SOURCE SHALL BE GFCI TYPE DEVICE IN ACCORDANCE WITH N.E.C 210-8.7. COORDINATE LOCATIONS WITH ARCHITECTURAL AND PLUMBING DRAWINGS PRIOR TO ROUGH-IN.
- COORDINATE EXACT LOCATION OF ALL MECHANICAL AND PLUMBING EQUIPMENT WITH DIVISION 23 PRIOR TO ROUGH IN. ADJUST LOCATION OF DISCONNECTING MEANS AND BRANCH CIRCUITRY AS REQUIRED.



1 DETAIL - RECEPTACLE CONNECTION  
E-101 NO SCALE

PROVIDE ALL BRANCH CIRCUIT CONDUIT/CONDUCTORS AS NECESSARY TO CONNECT ALL DEVICES SHOWN ON THE CIRCUIT. PROVIDE DEDICATED NEUTRALS FOR ALL CIRCUITS.

**EDC**  
ELECTRICAL DESIGN CONSULTANTS  
ELECTRICAL ENGINEERS  
MACON OFFICE - PROJECT #: M26024  
edc1973.com

**CSC DESIGN, INC.**  
ARCHITECTS & ENGINEERS  
135 P RICHMAN INDUSTRIAL DR.  
SUITE 100 CANTON, GA 30115  
Phone: (770) 345-2579

REGISTERED PROFESSIONAL ENGINEER  
JEFFREY H. MOORE  
04/24/26  
PROJECT NUMBER: 25-038

ISSUE:	
NO.	
DATE:	
REVISIONS	

PEACH STATE CONSTRUCTION COMPANY OFFICE

LEGEND, NOTES, & SCHEDULES

E-101

FOR CONSTRUCTION