

#	DATE	TITLE

PROJECT NUMBER:  
**00-000**

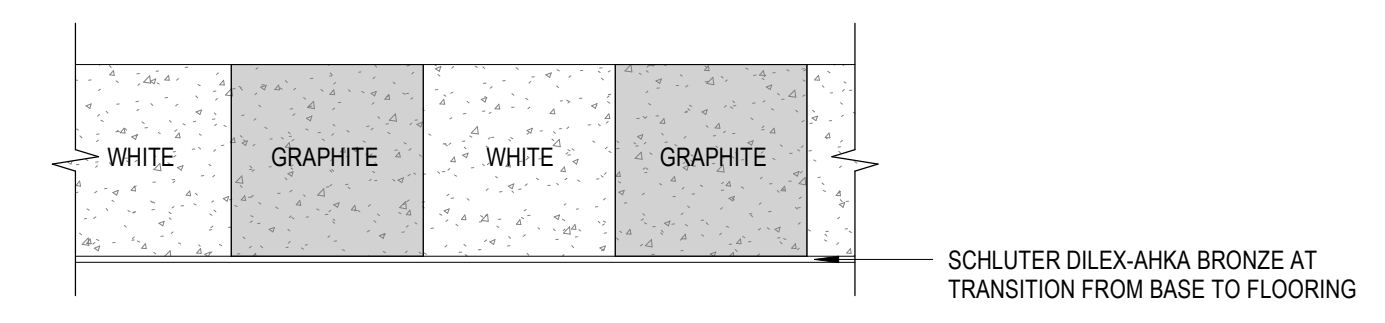
**1167 PACE ST. - PHASE I**  
**1167 PACE ST, COVINGTON, GA**

**MILLWORK ELEVATIONS @ DETAILS**

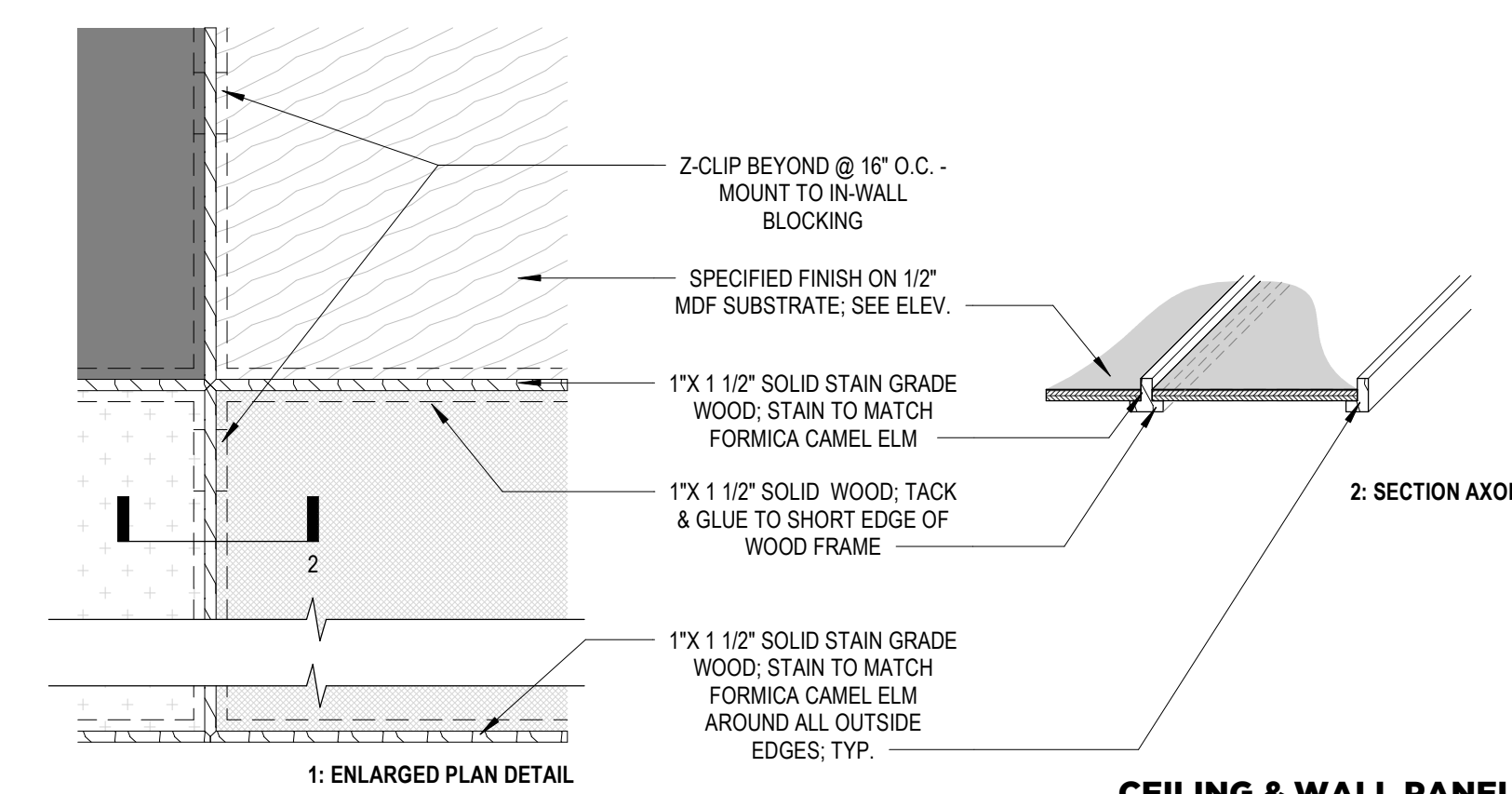
**ID501**

THIS DRAWING AND THE FILE FROM WHICH IT HAS BEEN CREATED ARE AN INSTRUMENT OF SERVICE FOR THIS PROJECT. THESE DOCUMENTS ARE THE SOLE PROPERTY OF THE ARCHITECT. AND ANY USE OF THESE DOCUMENTS FOR PURPOSES OTHER THAN THOSE ASSOCIATED WITH THIS PROJECT IS STRICTLY PROHIBITED.

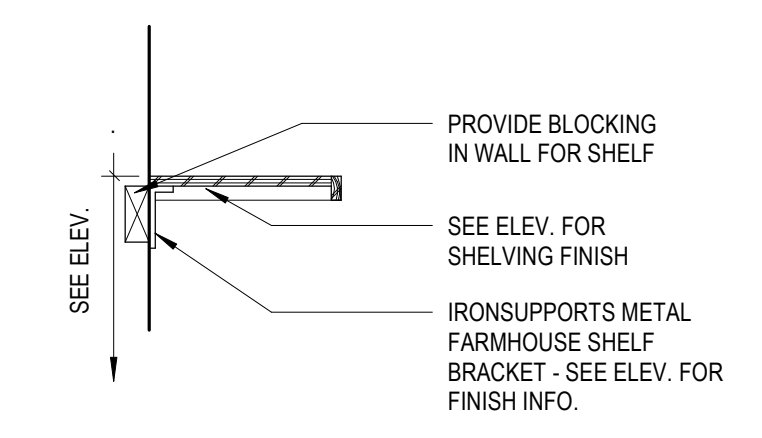
RELEASED FOR CONSTRUCTION



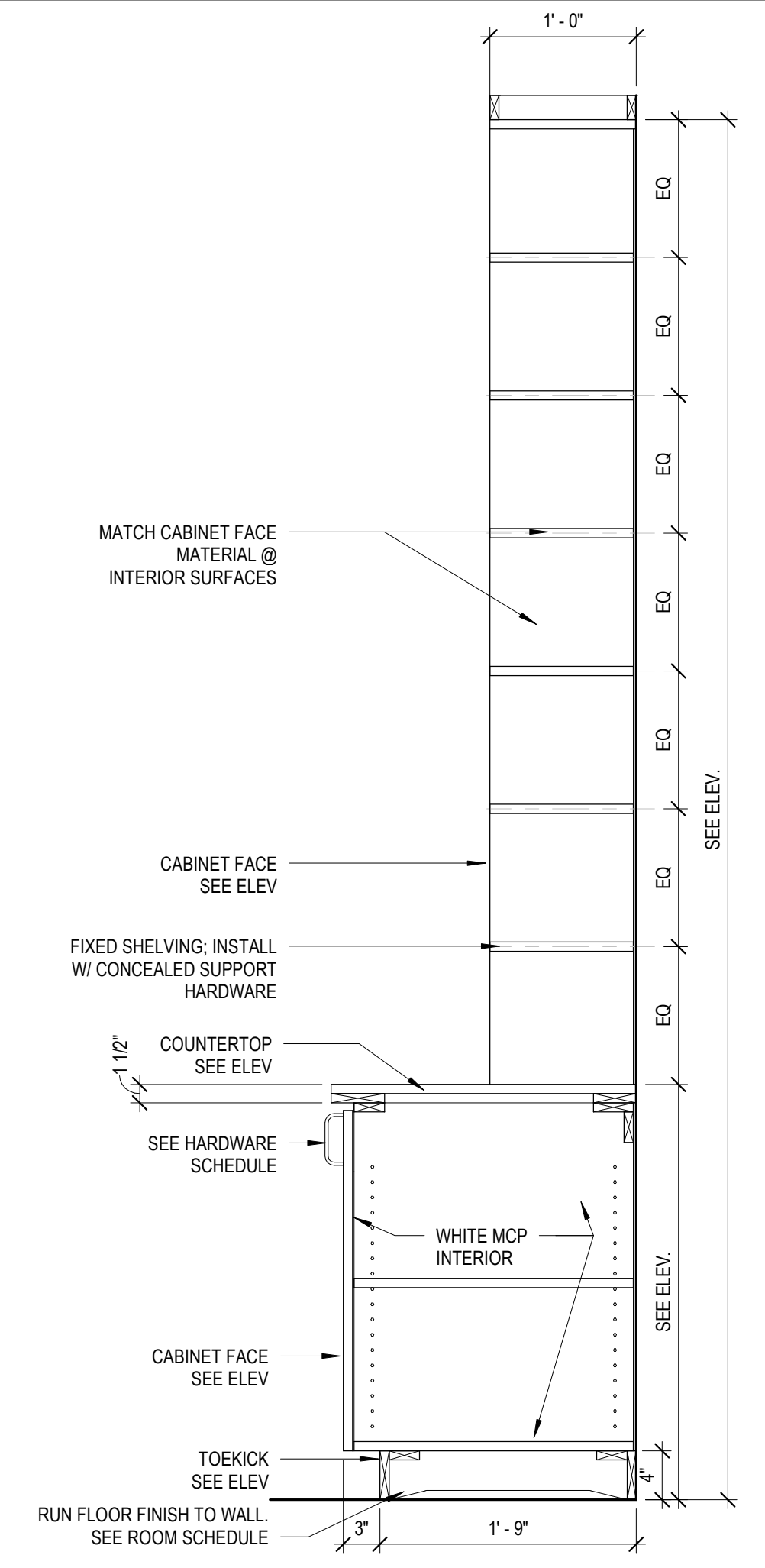
**13 ENLARGED TILE BASE DETAIL**  
1/2" = 1'-0"



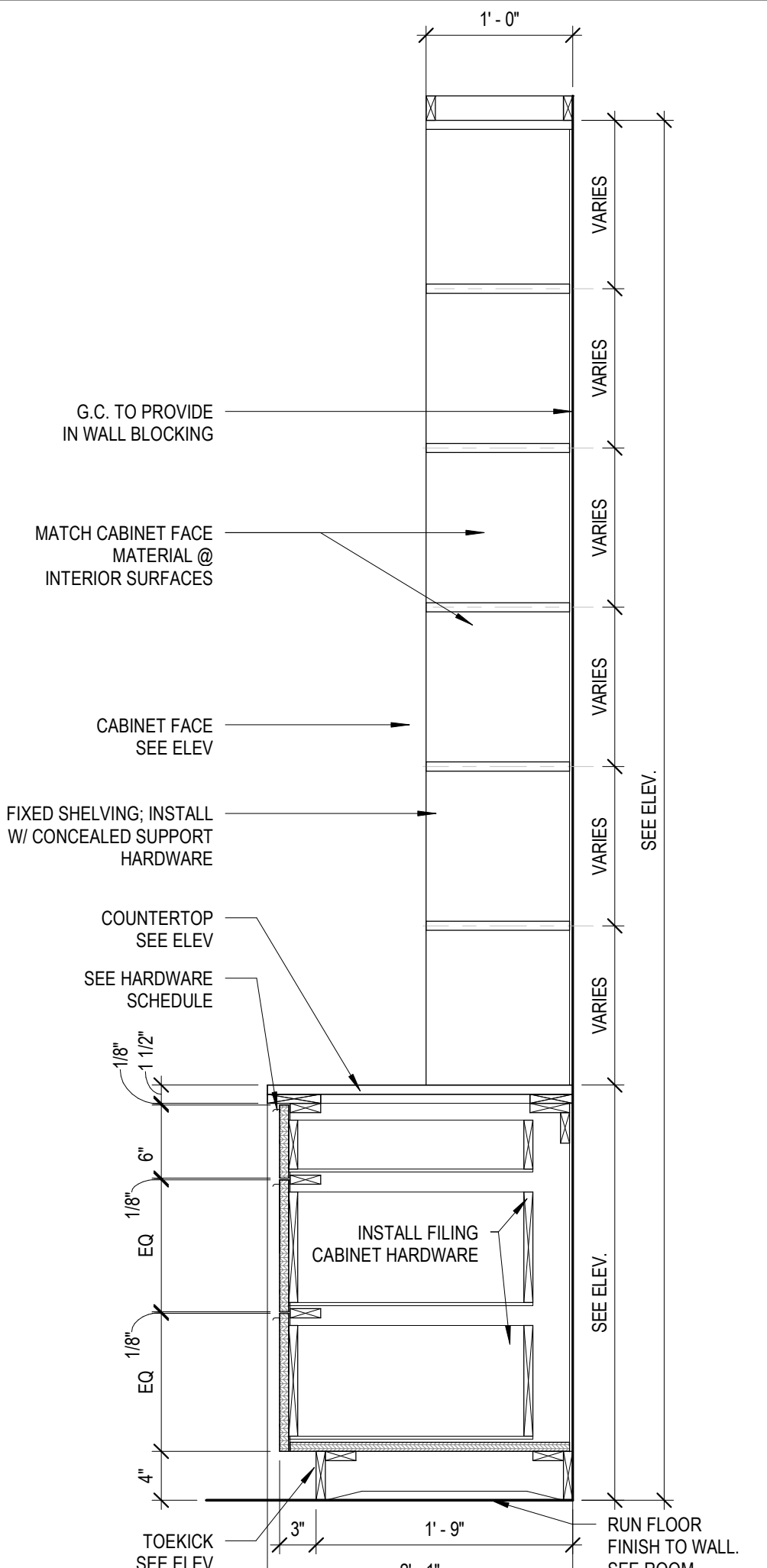
**12 CEILING & WALL PANEL DETAILS @ SHARED CONFERENCE**  
1/2" = 1'-0"



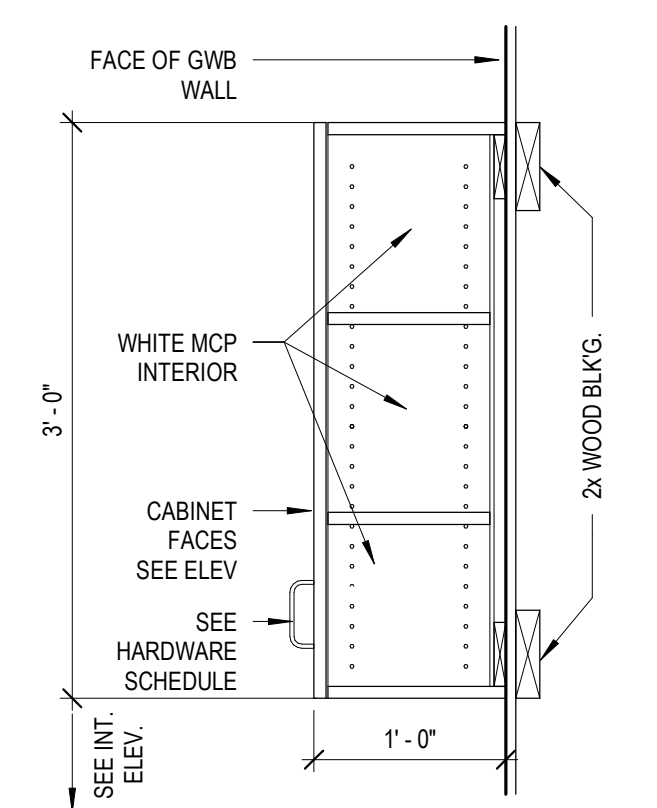
**11 DETAIL - OPEN SHELVING**  
1" = 1'-0"



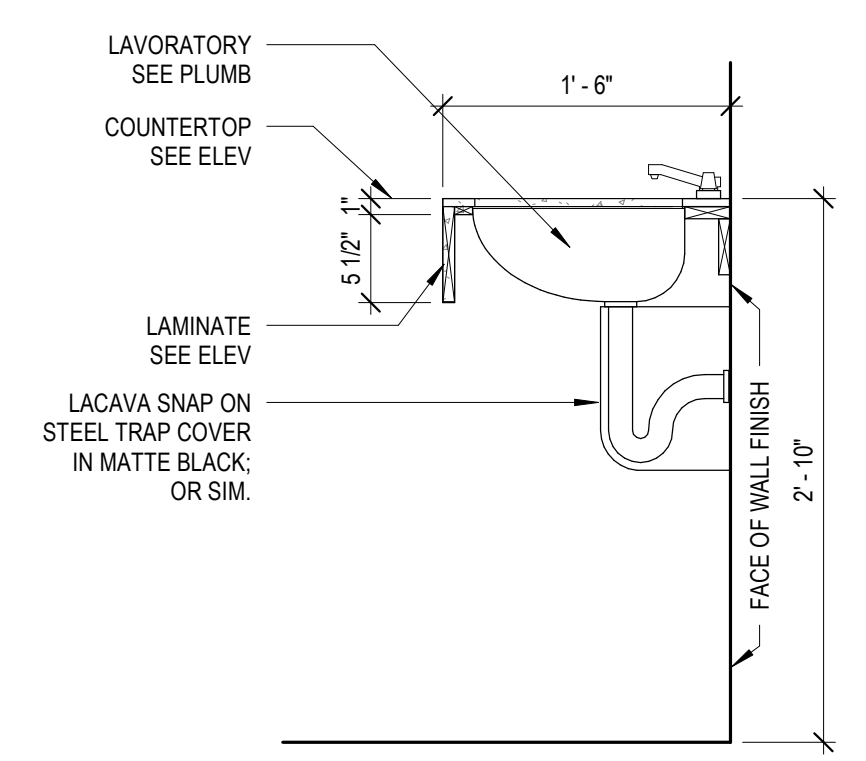
**10 BUILT-IN BOOKSHELVES**  
1" = 1'-0"



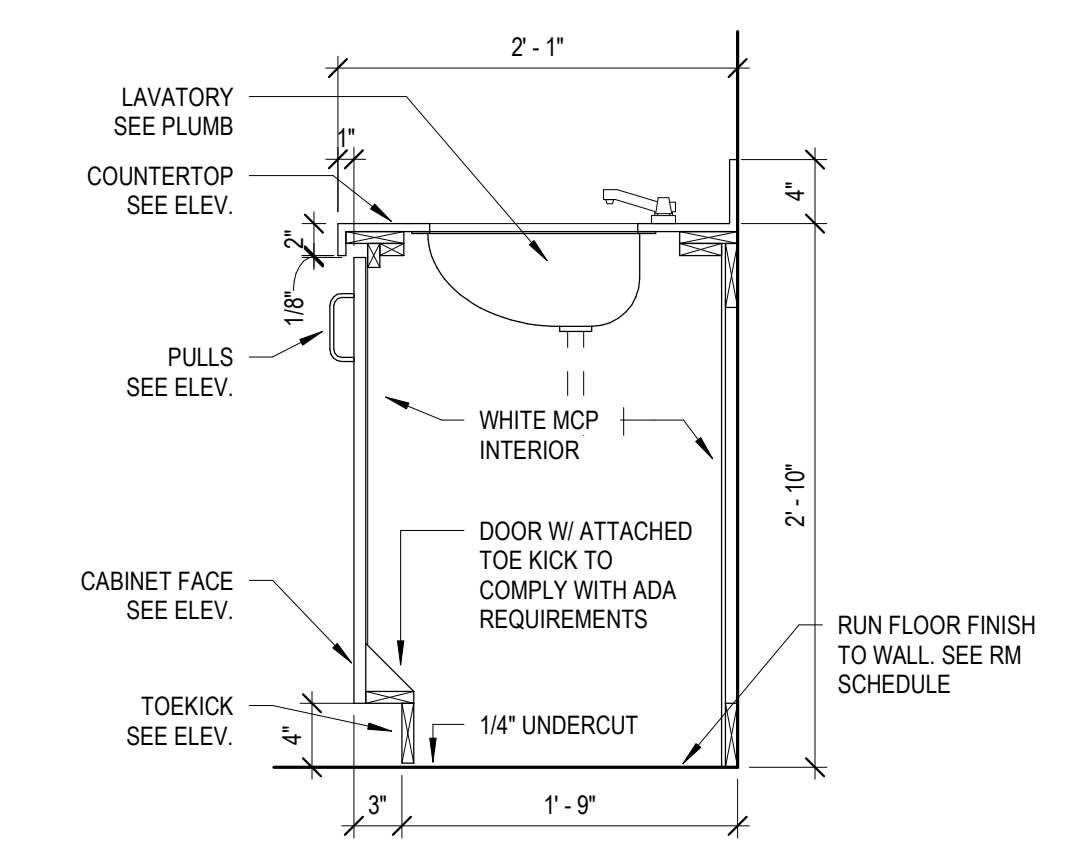
**9 BUILT-IN TV MONITOR & FILING CABINETS**  
1" = 1'-0"



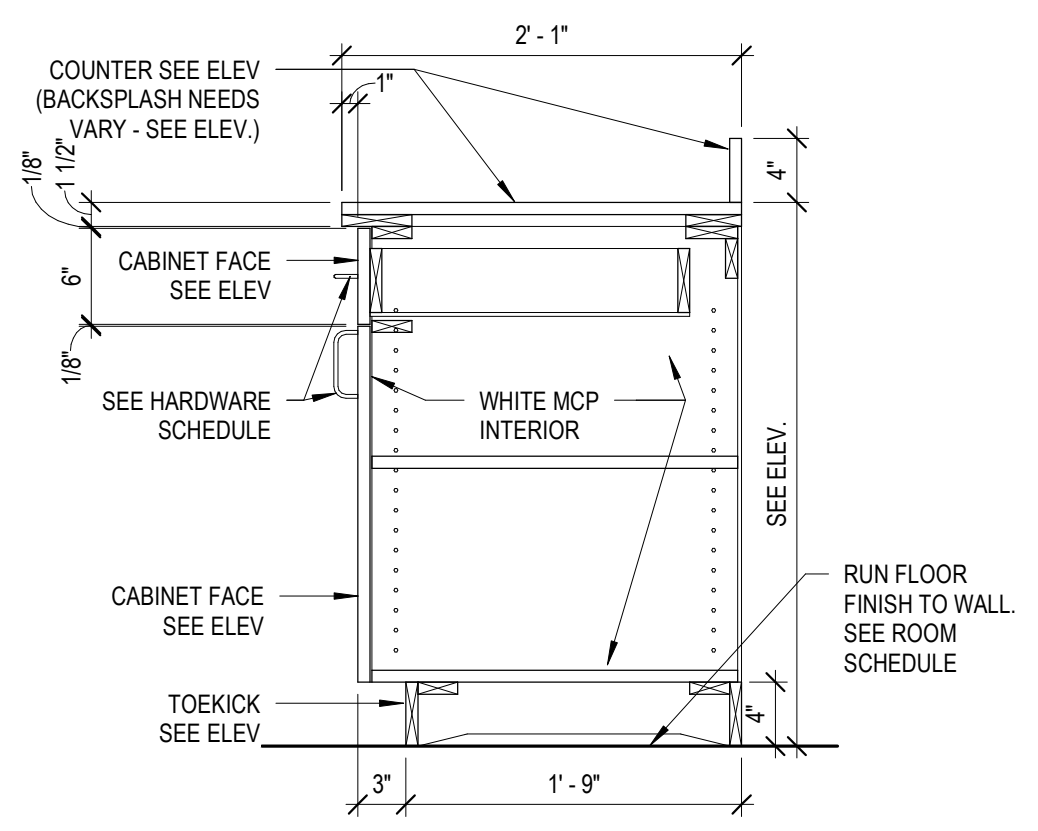
**8 CABINET - UPPER**  
1" = 1'-0"



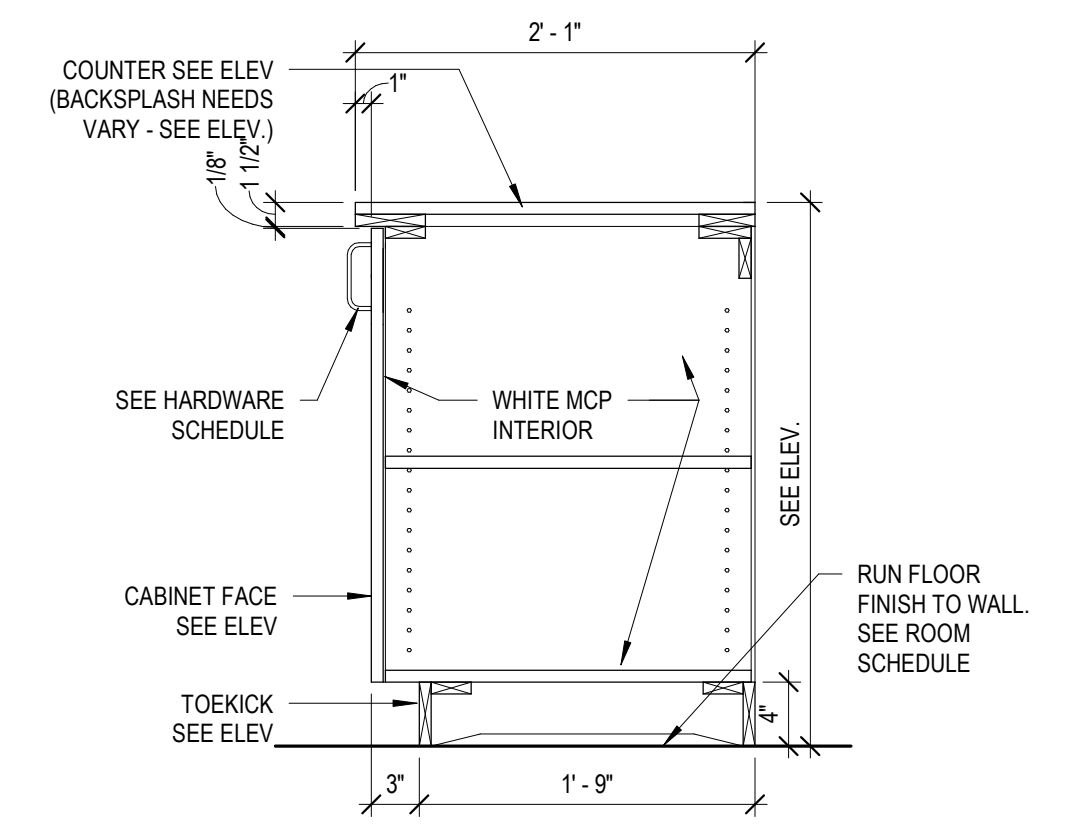
**7 MILLWORK - ADA VANITY SINK**  
1" = 1'-0"



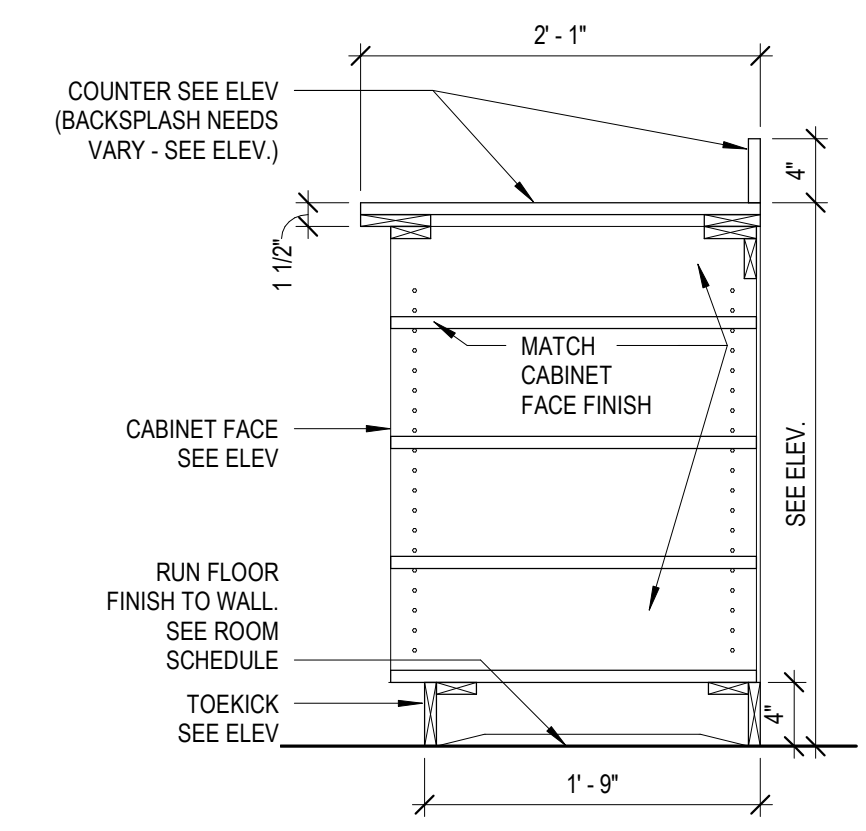
**6 MILLWORK - SINK UNDERMOUNT W/ CABINET**  
1" = 1'-0"



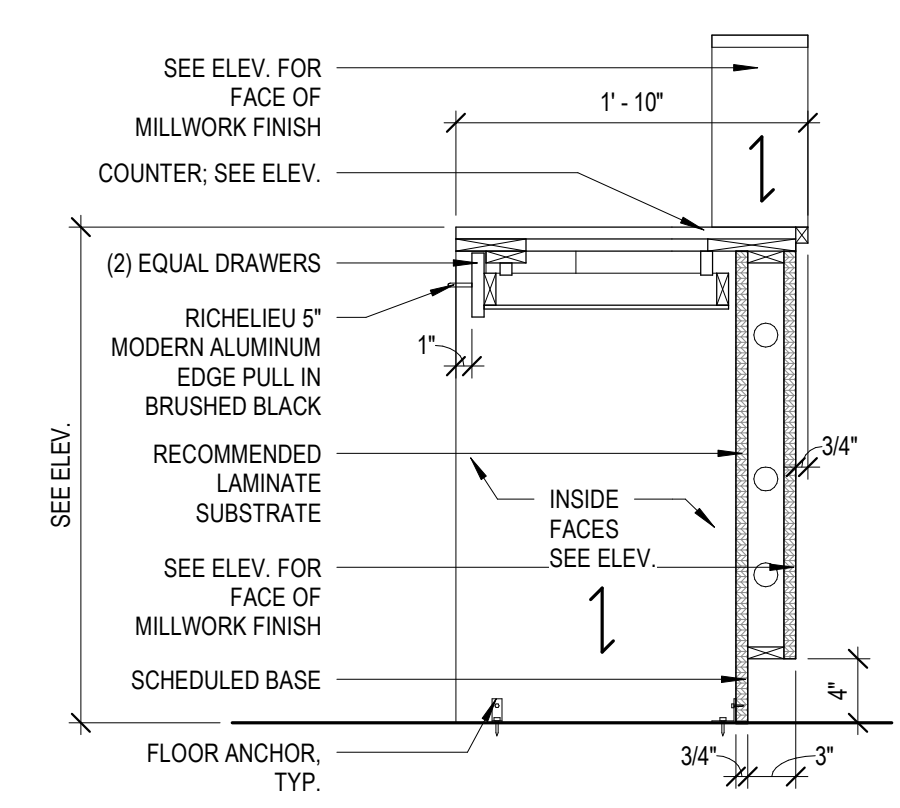
**5 CABINET - BASE W/ DRAWER**  
1" = 1'-0"



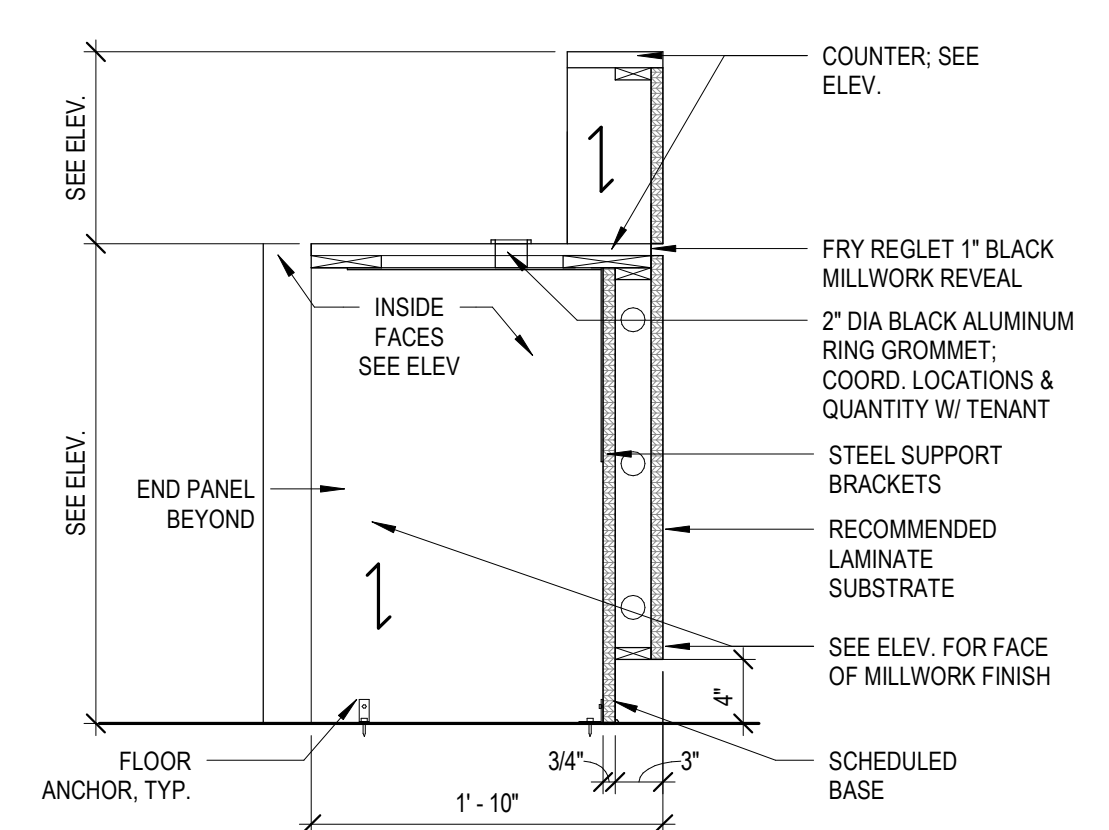
**4 CABINET - BASE W/ DOOR**  
1" = 1'-0"



**3 CABINET - BASE W/ OPEN SHELVING**  
1" = 1'-0"



**2 MILLWORK - ADA RECEPTION**  
1" = 1'-0"



**1 MILLWORK - RECEPTION TRANSACTION LEDGE**  
1" = 1'-0"