

#	DATE	TITLE

PROJECT NUMBER:
00-000

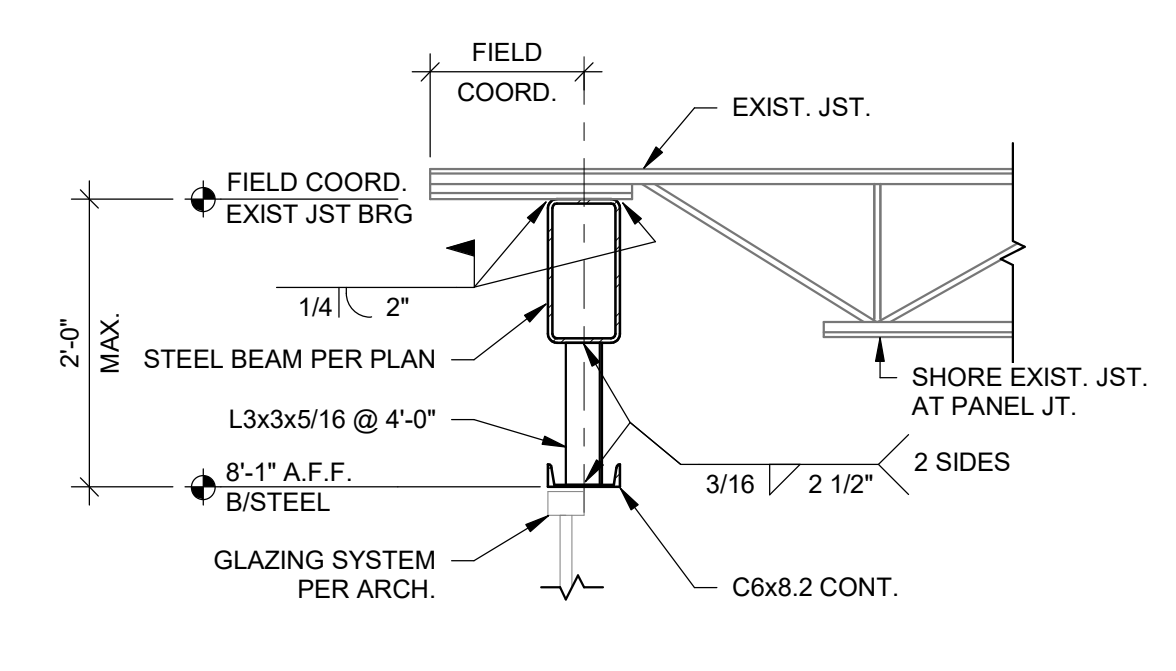
1167 PACE ST. - PHASE I
1167 PACE ST, COVINGTON, GA

SECTIONS & DETAILS

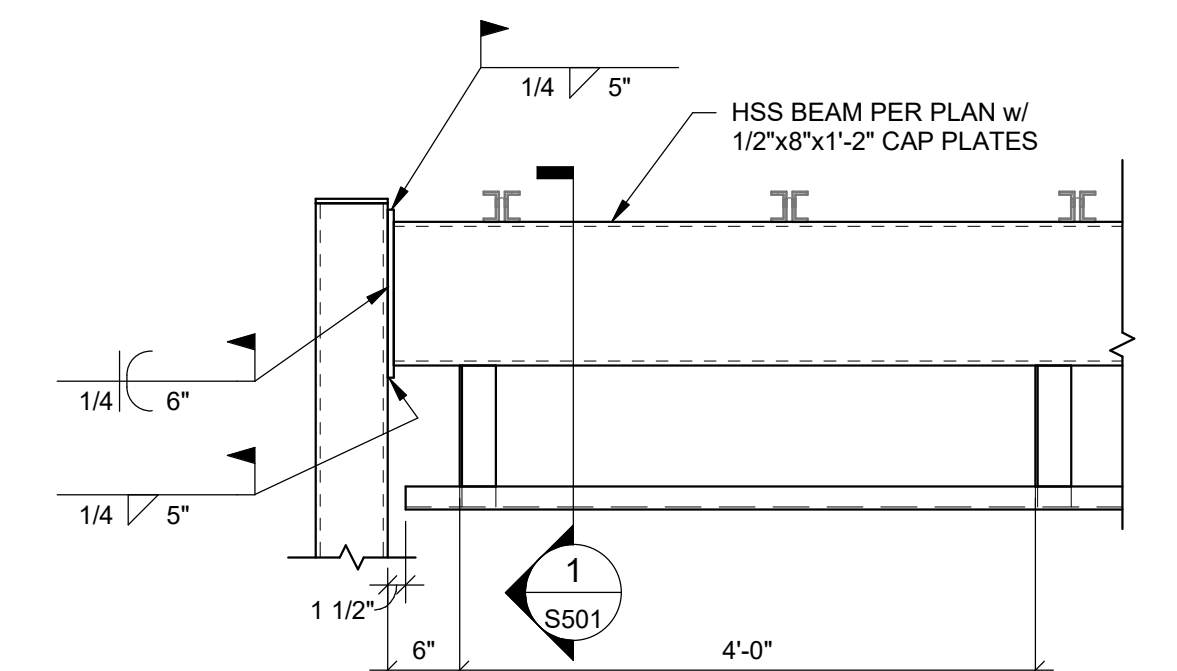
S501

THIS DRAWING AND THE FILE FROM WHICH IT HAS BEEN CREATED ARE AN INSTRUMENT OF SERVICE FOR THIS PROJECT. THESE DOCUMENTS ARE THE SOLE PROPERTY OF THE ARCHITECT, AND ANY USE OF THESE DOCUMENTS FOR PURPOSES OTHER THAN THOSE ASSOCIATED WITH THIS PROJECT IS STRICTLY PROHIBITED.

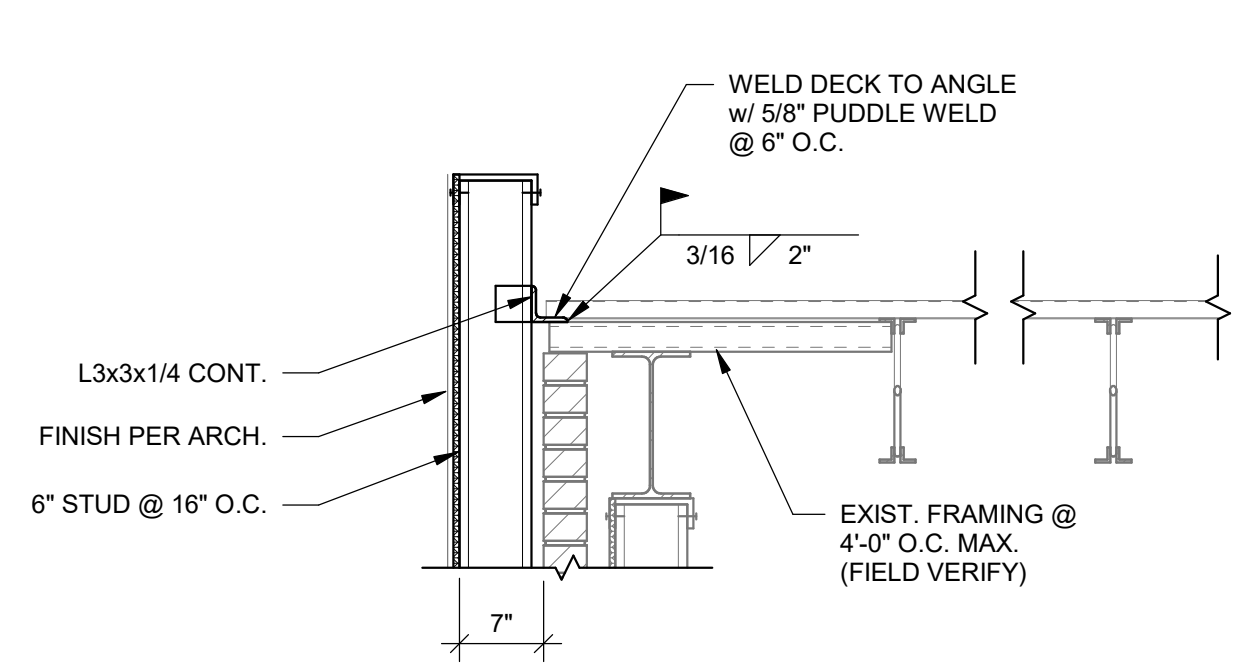
NOT RELEASED FOR CONSTRUCTION



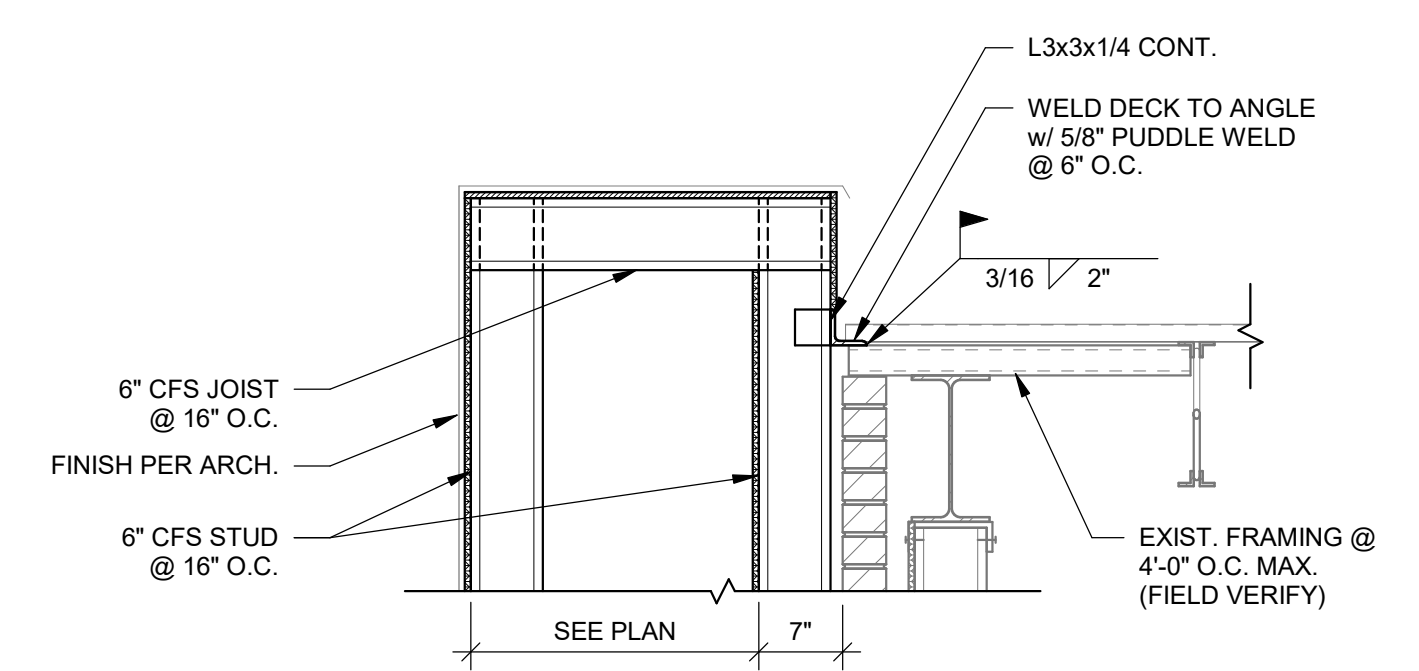
1 SECTION
SCALE: 3/4" = 1'-0"



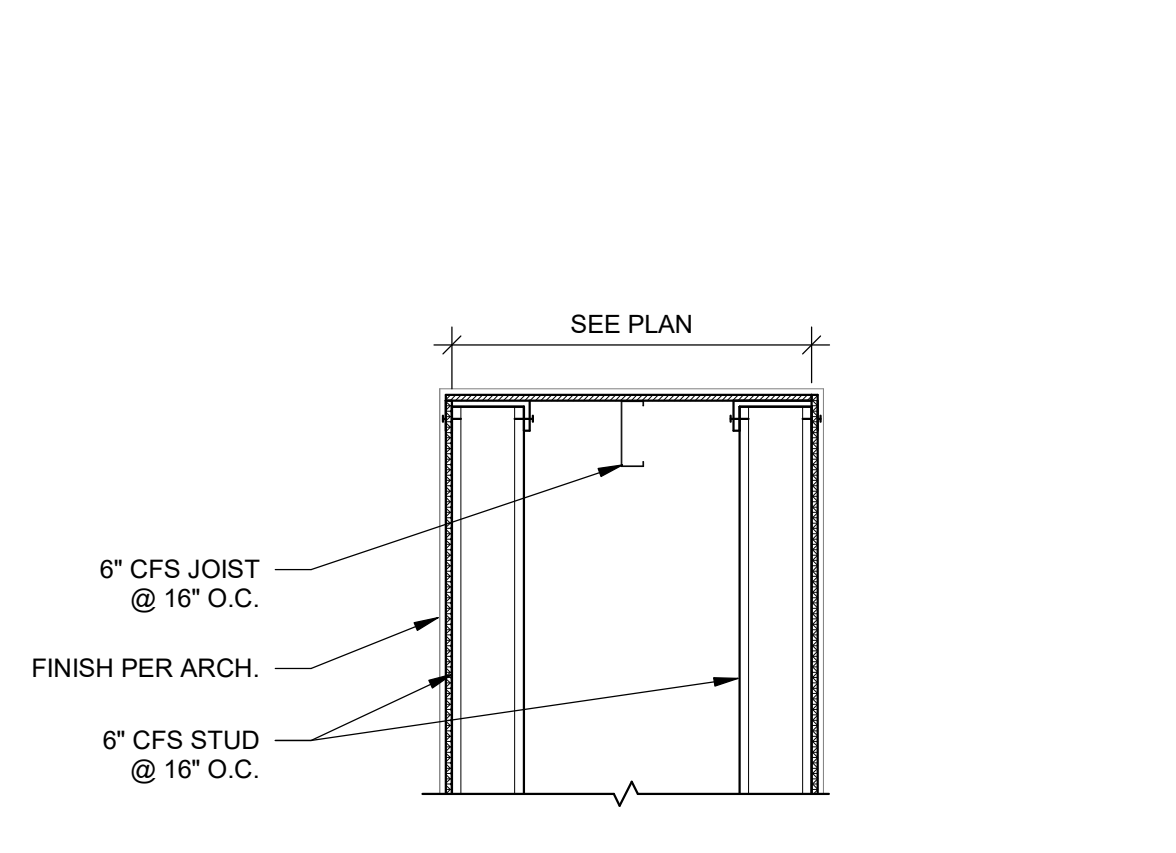
2 SECTION
SCALE: 3/4" = 1'-0"



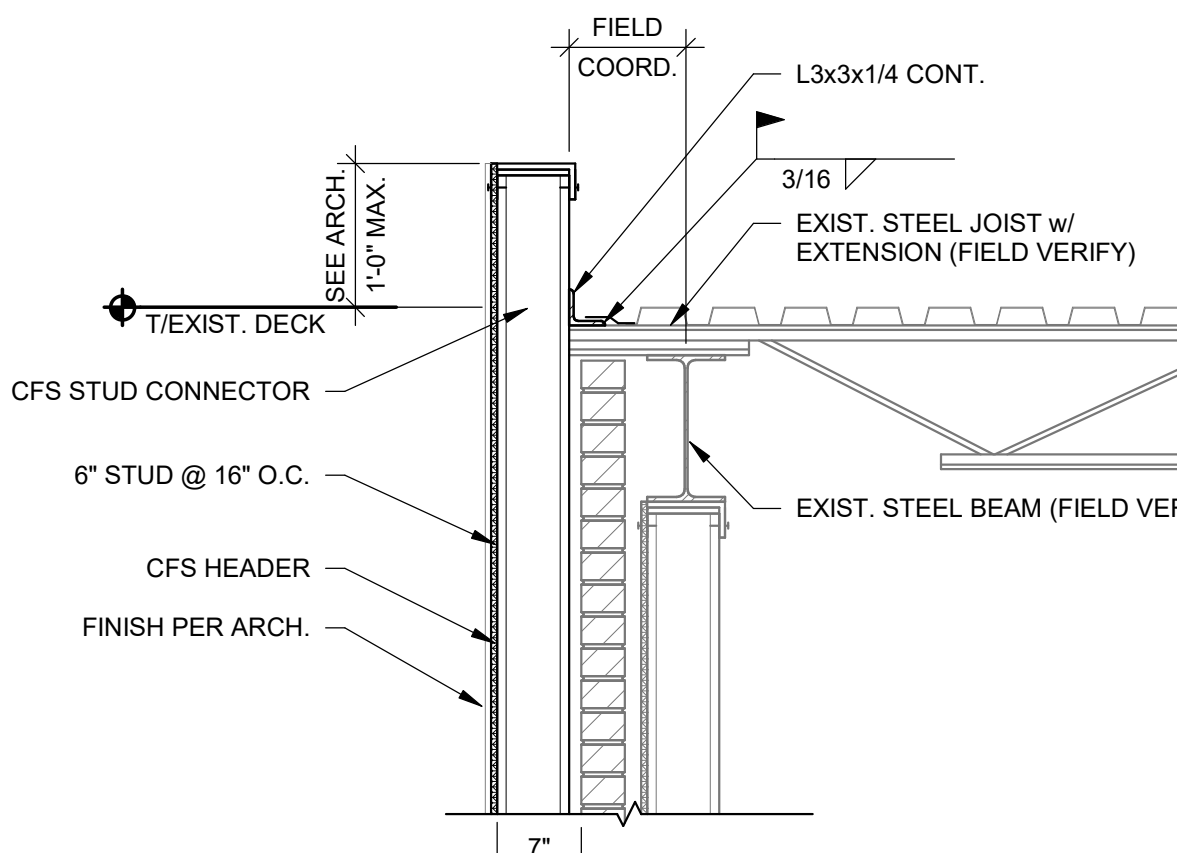
3 SECTION
SCALE: 3/4" = 1'-0"



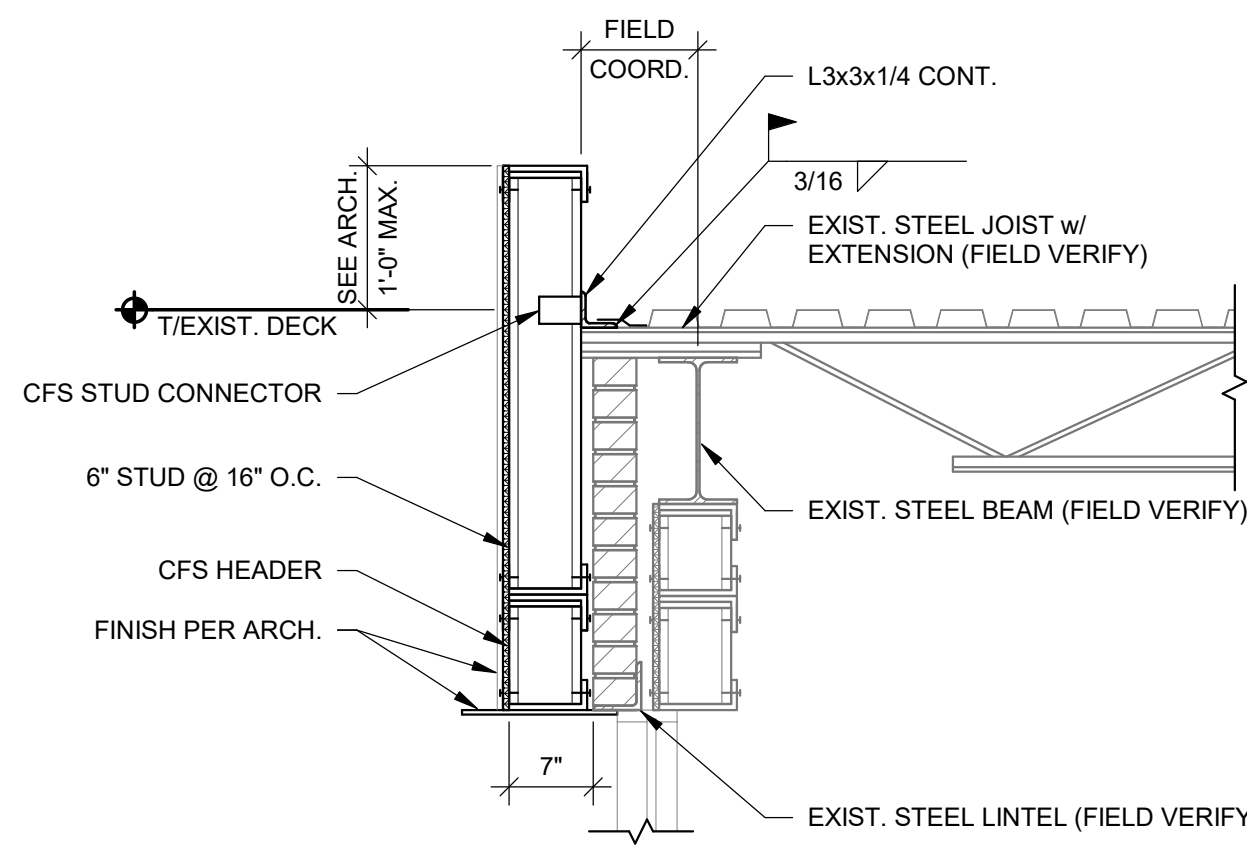
4 SECTION
SCALE: 3/4" = 1'-0"



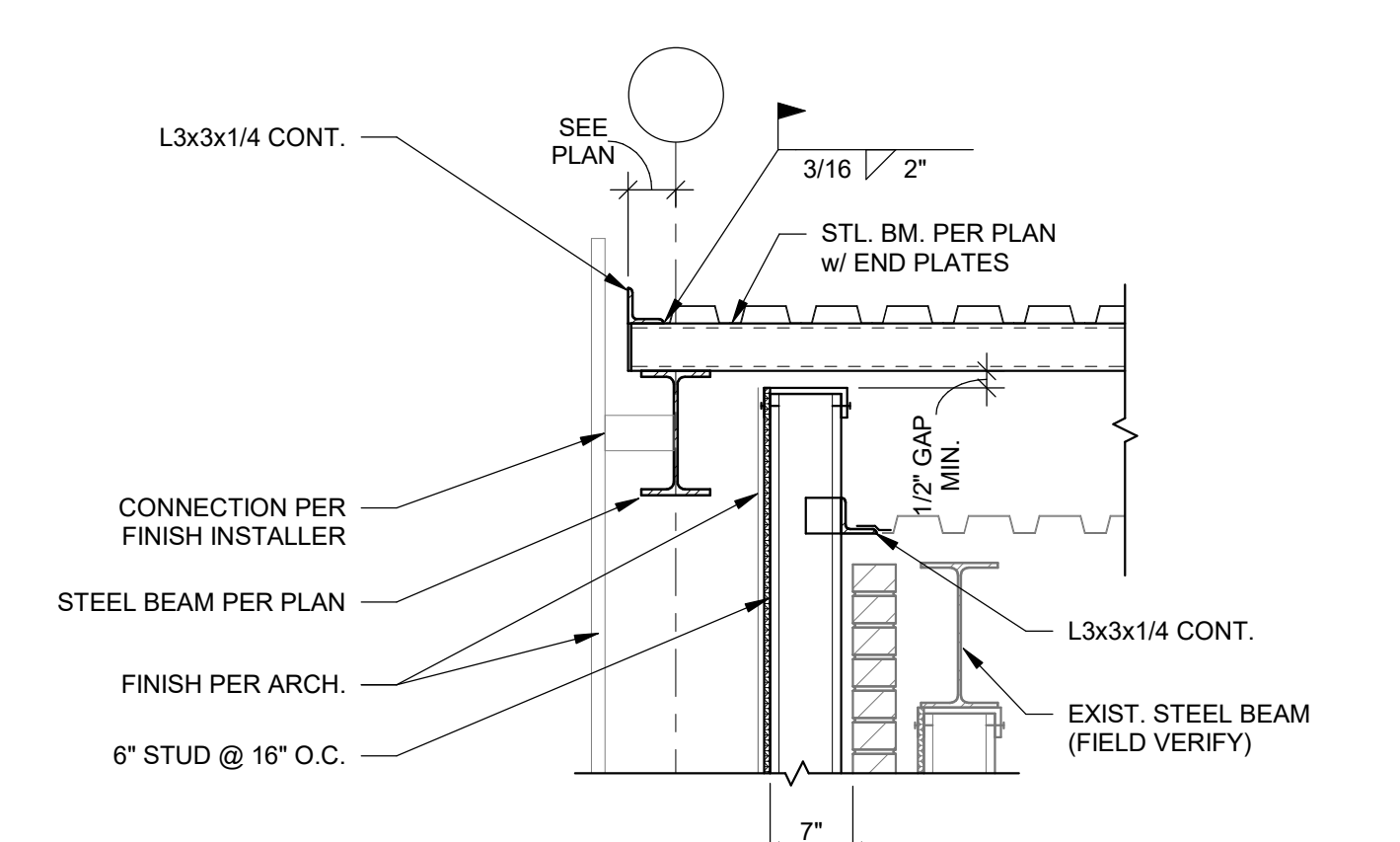
5 SECTION
SCALE: 3/4" = 1'-0"



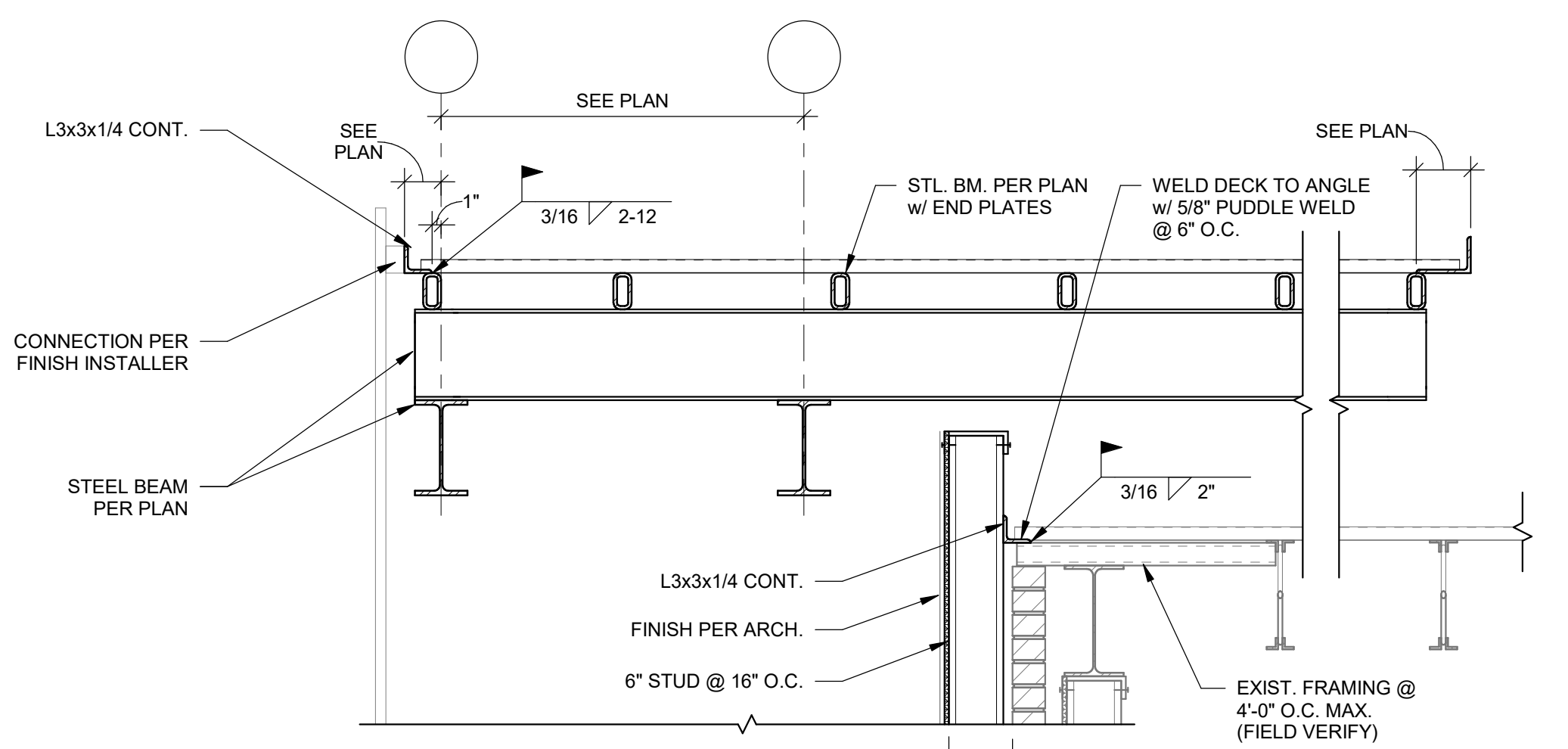
6 SECTION
SCALE: 3/4" = 1'-0"



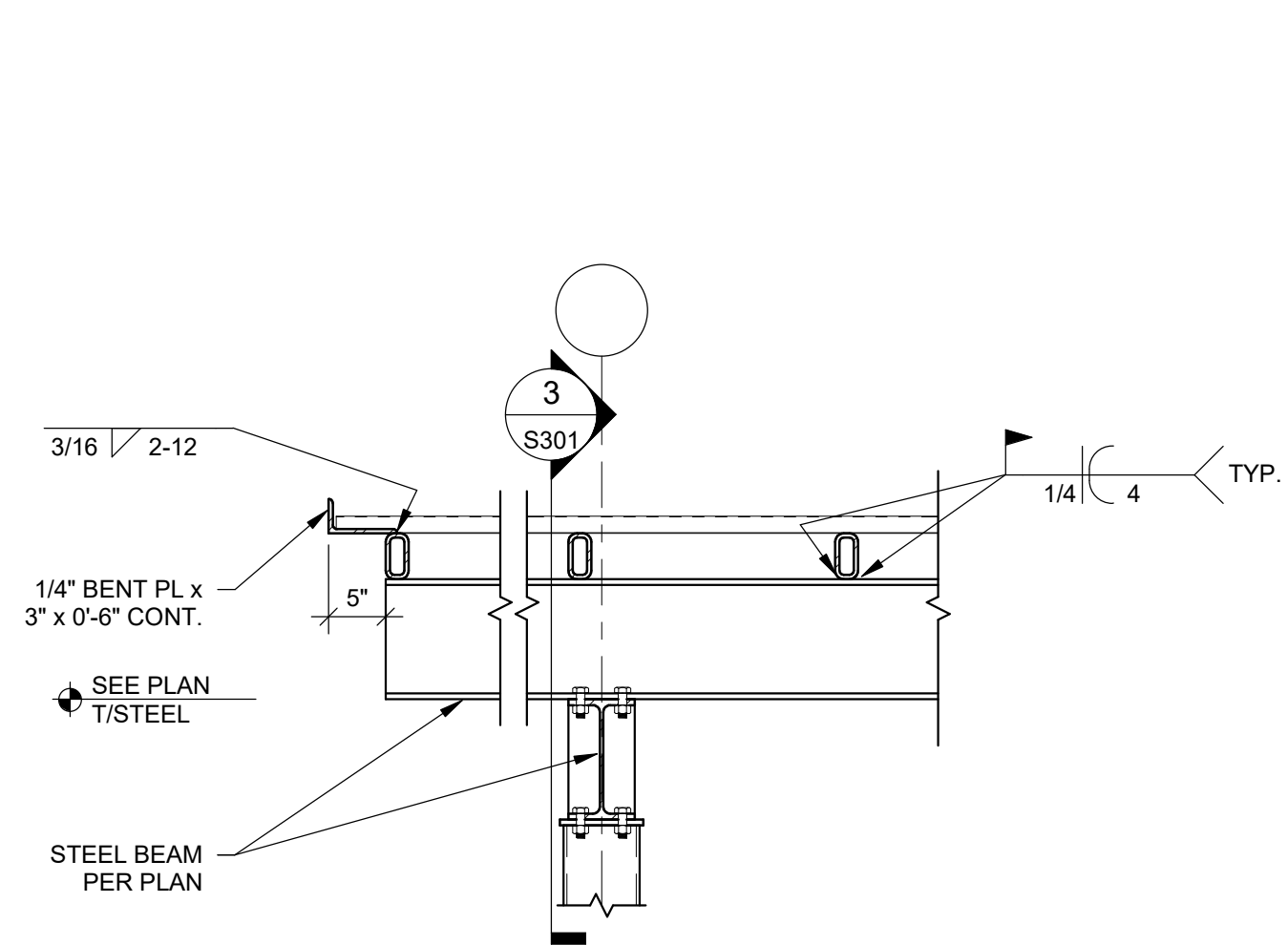
7 SECTION
SCALE: 3/4" = 1'-0"



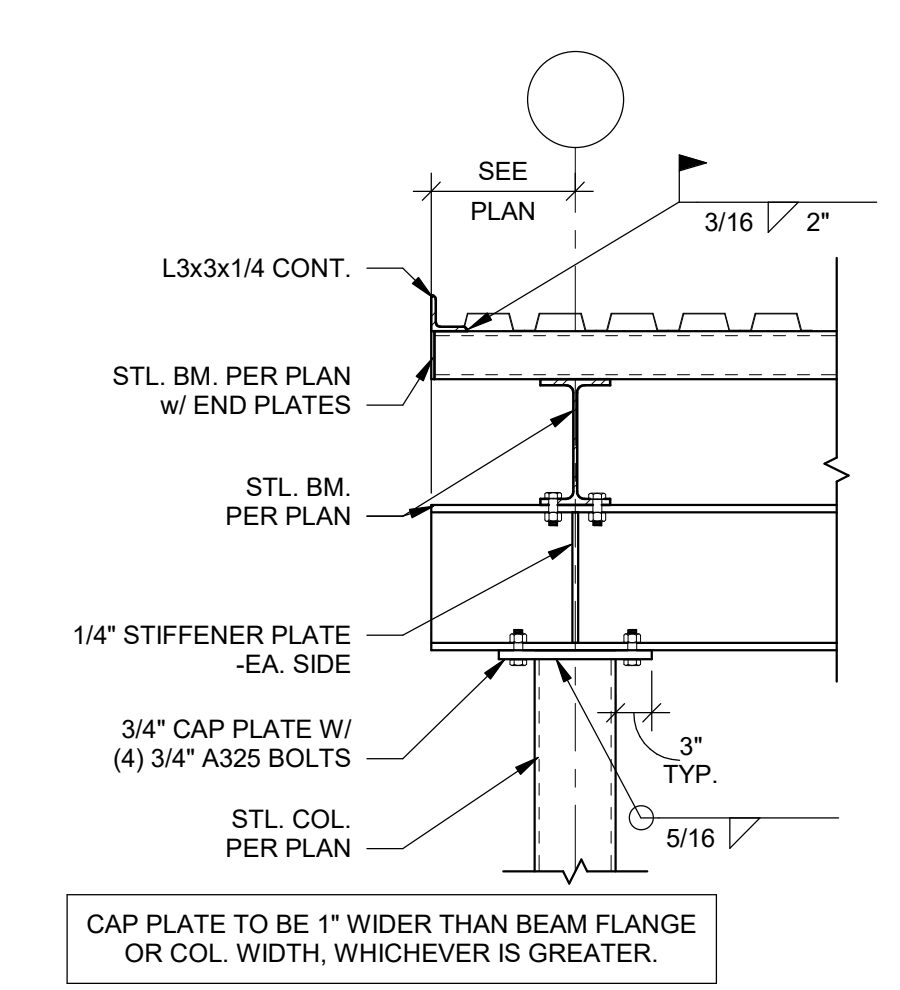
8 SECTION
SCALE: 3/4" = 1'-0"



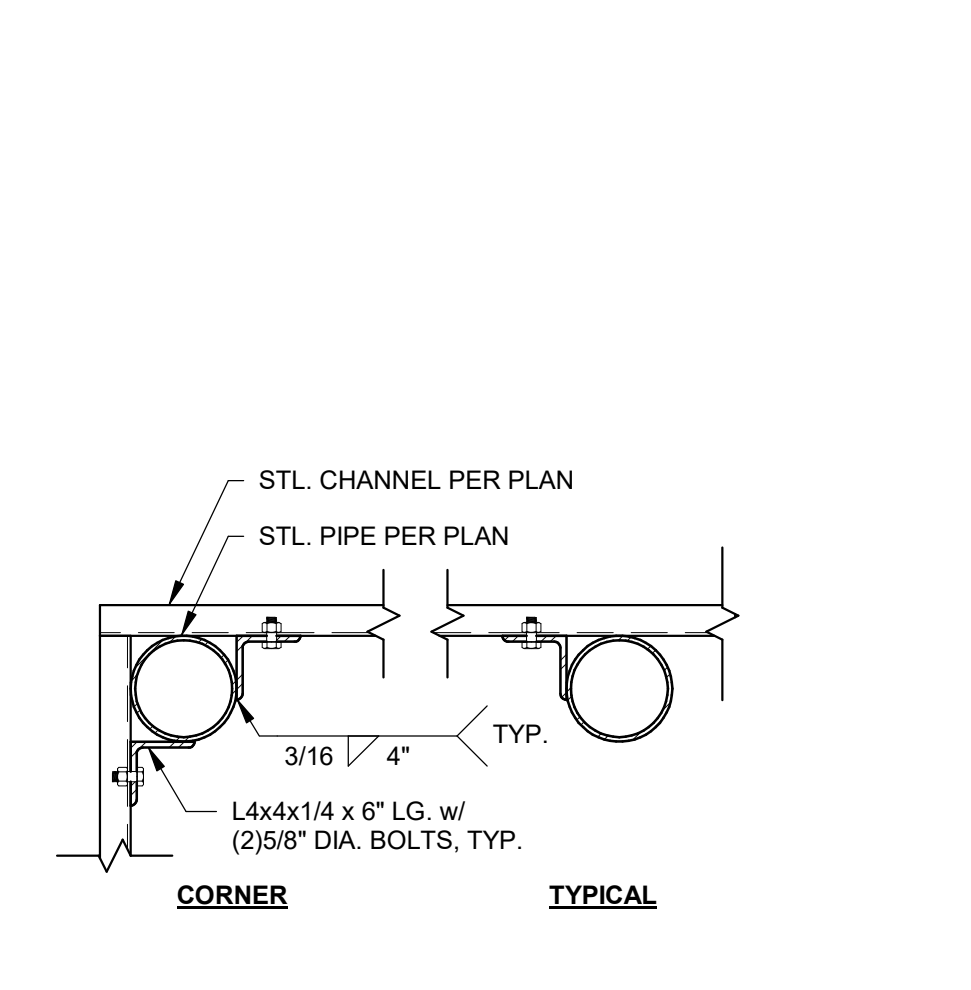
9 SECTION
SCALE: 3/4" = 1'-0"



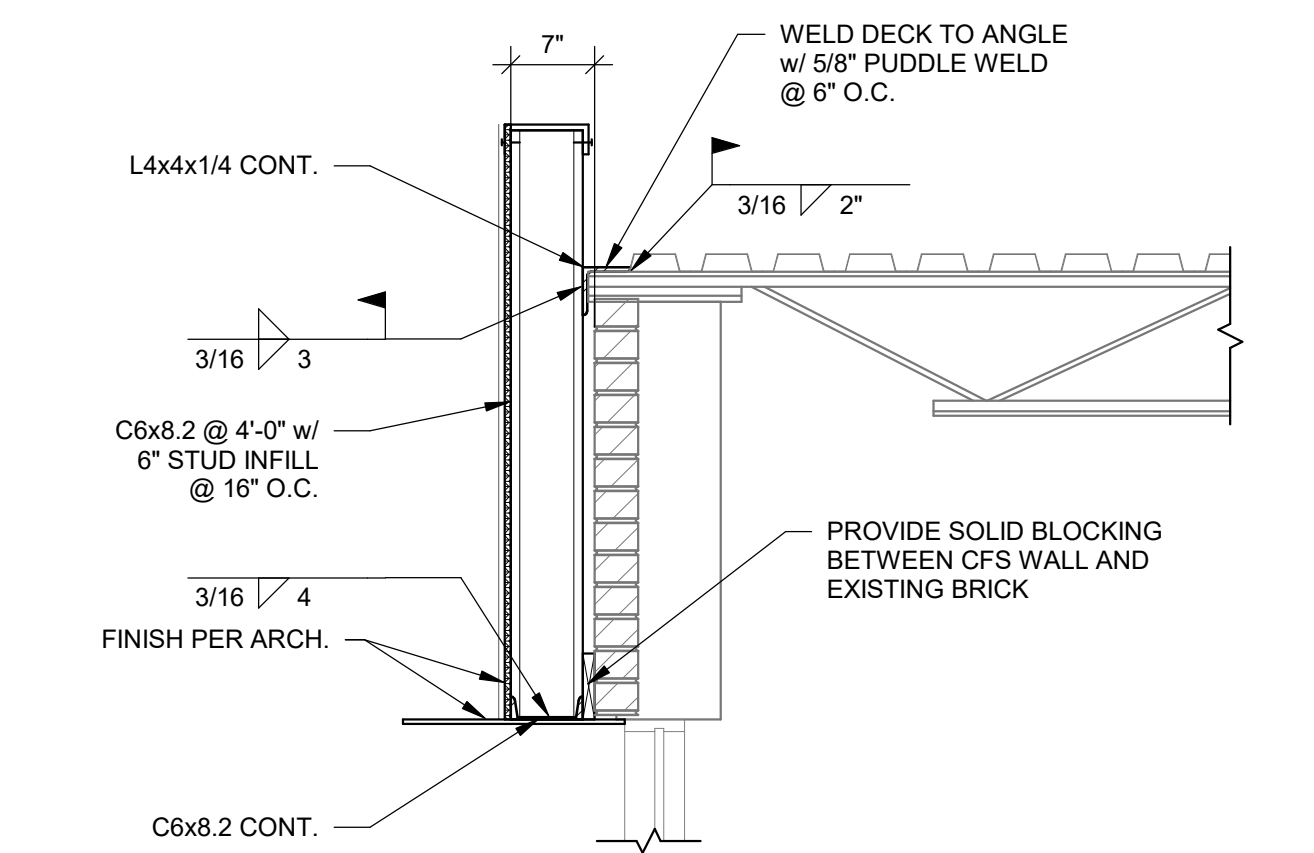
10 SECTION
SCALE: 3/4" = 1'-0"



11 SECTION
SCALE: 3/4" = 1'-0"



12 DETAIL
SCALE: 1" = 1'-0"



13 SECTION
SCALE: 3/4" = 1'-0"